

**CV1 MEMORY**

**TRIGGER GENERATOR**

**PITCH BEND AND OCTAVE SHIFT**

**CV2 MEMORY**

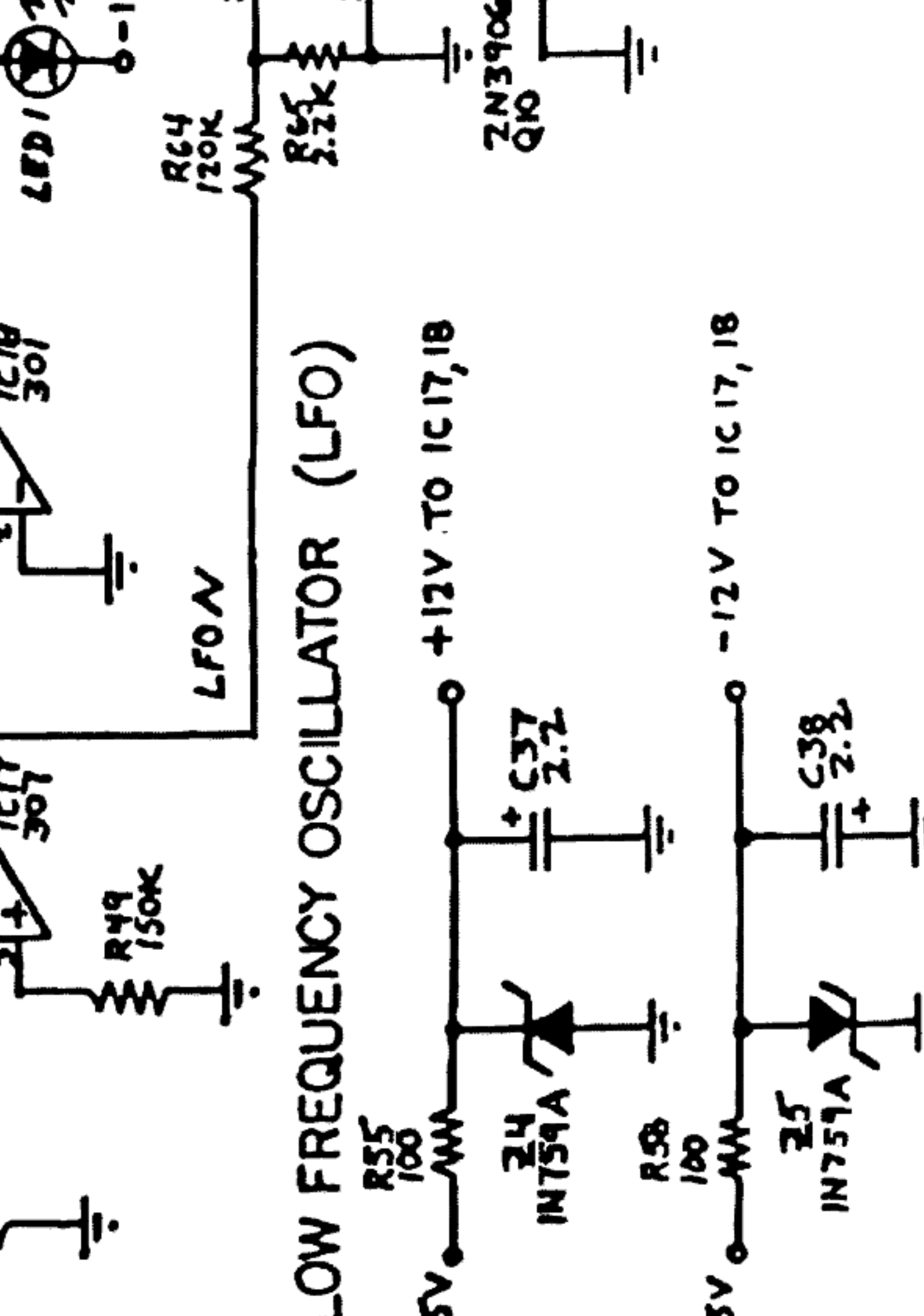
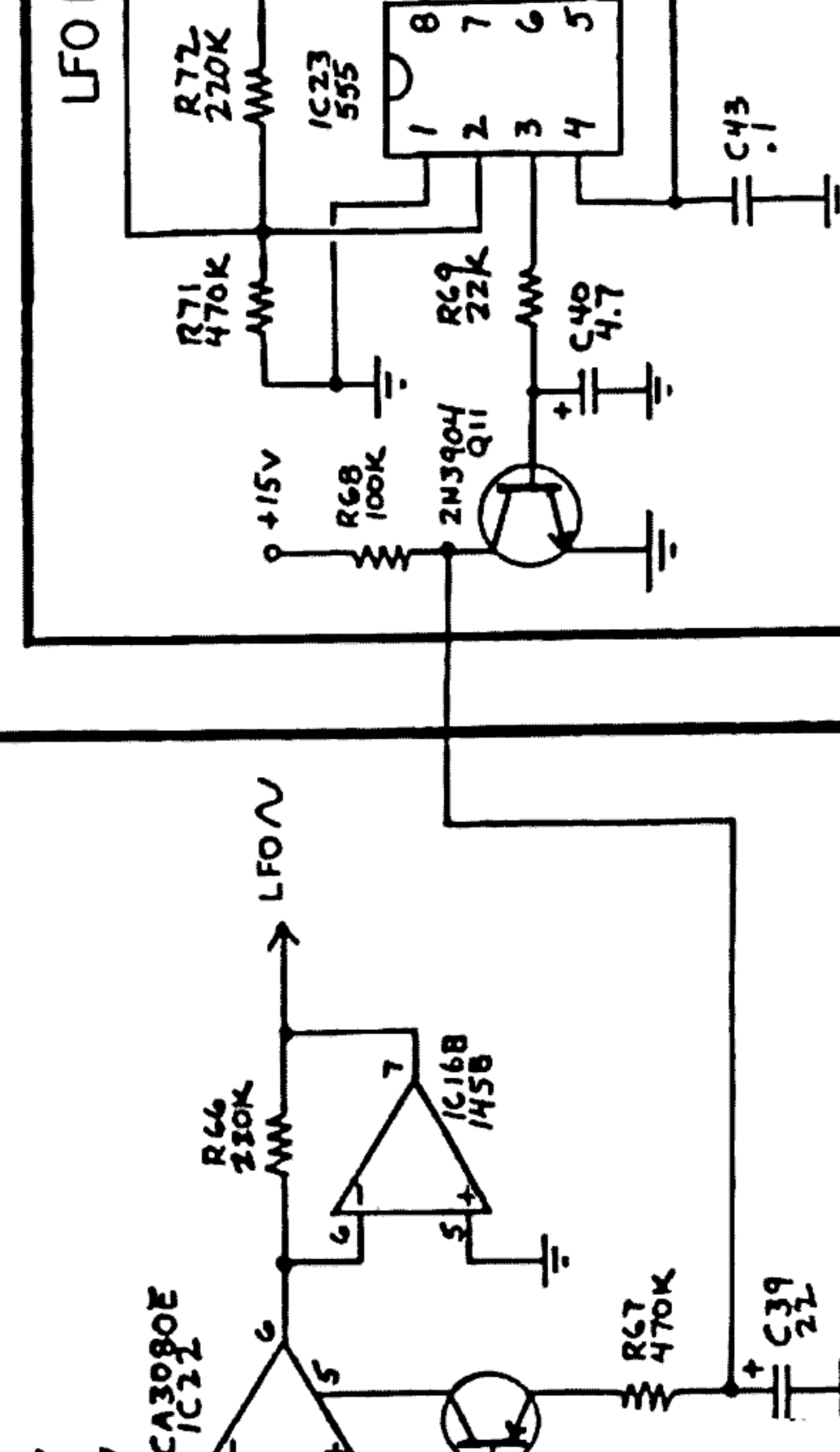
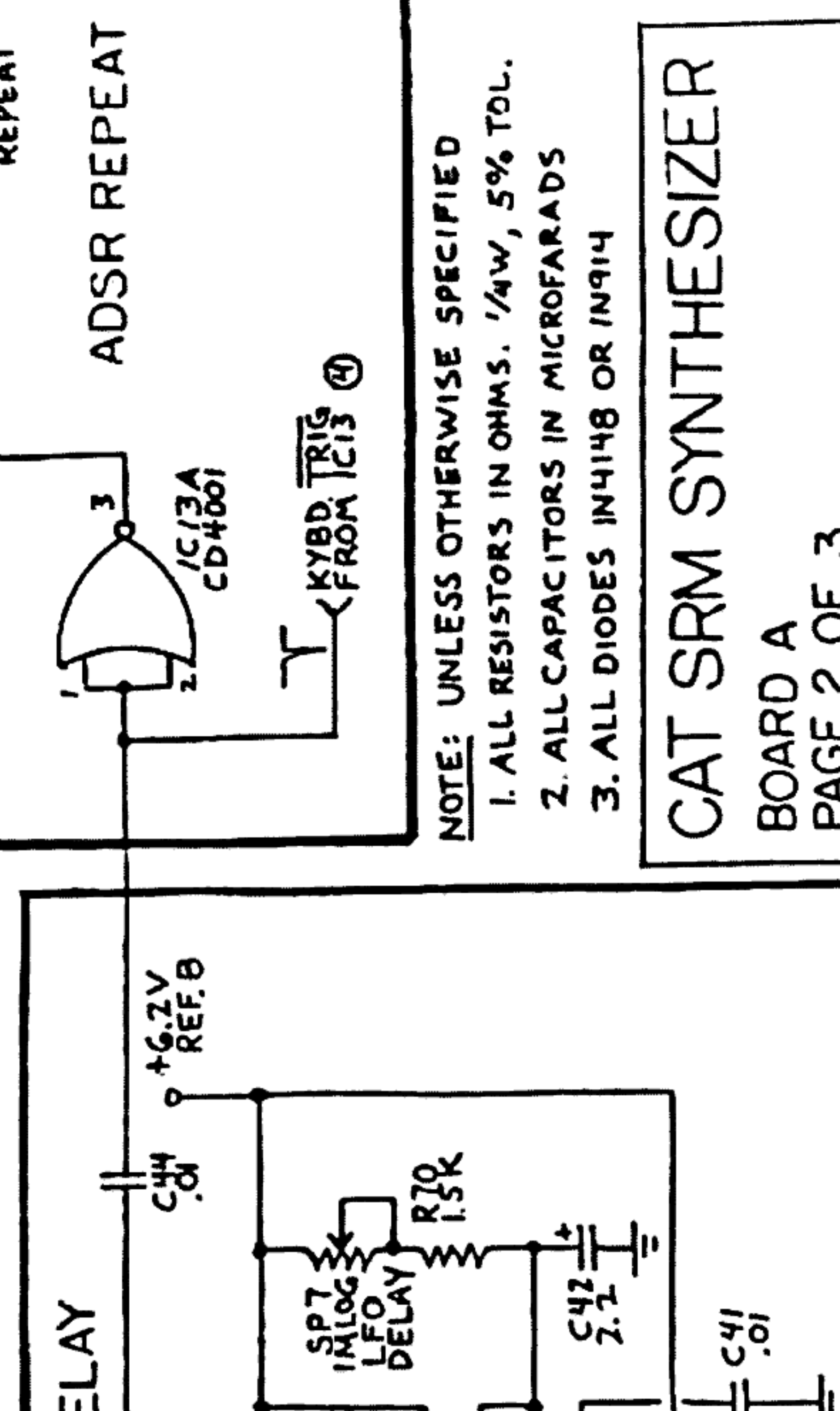
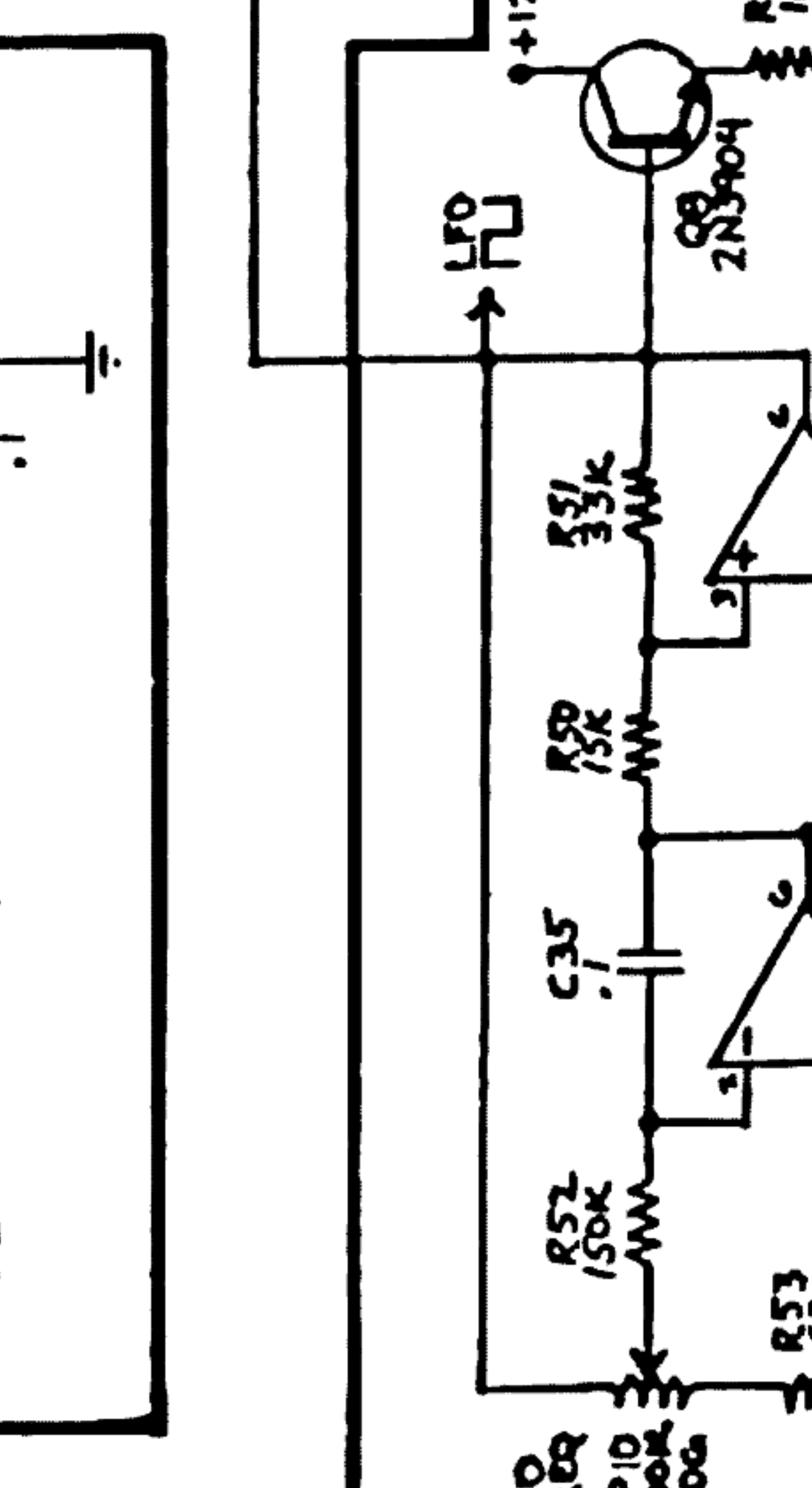
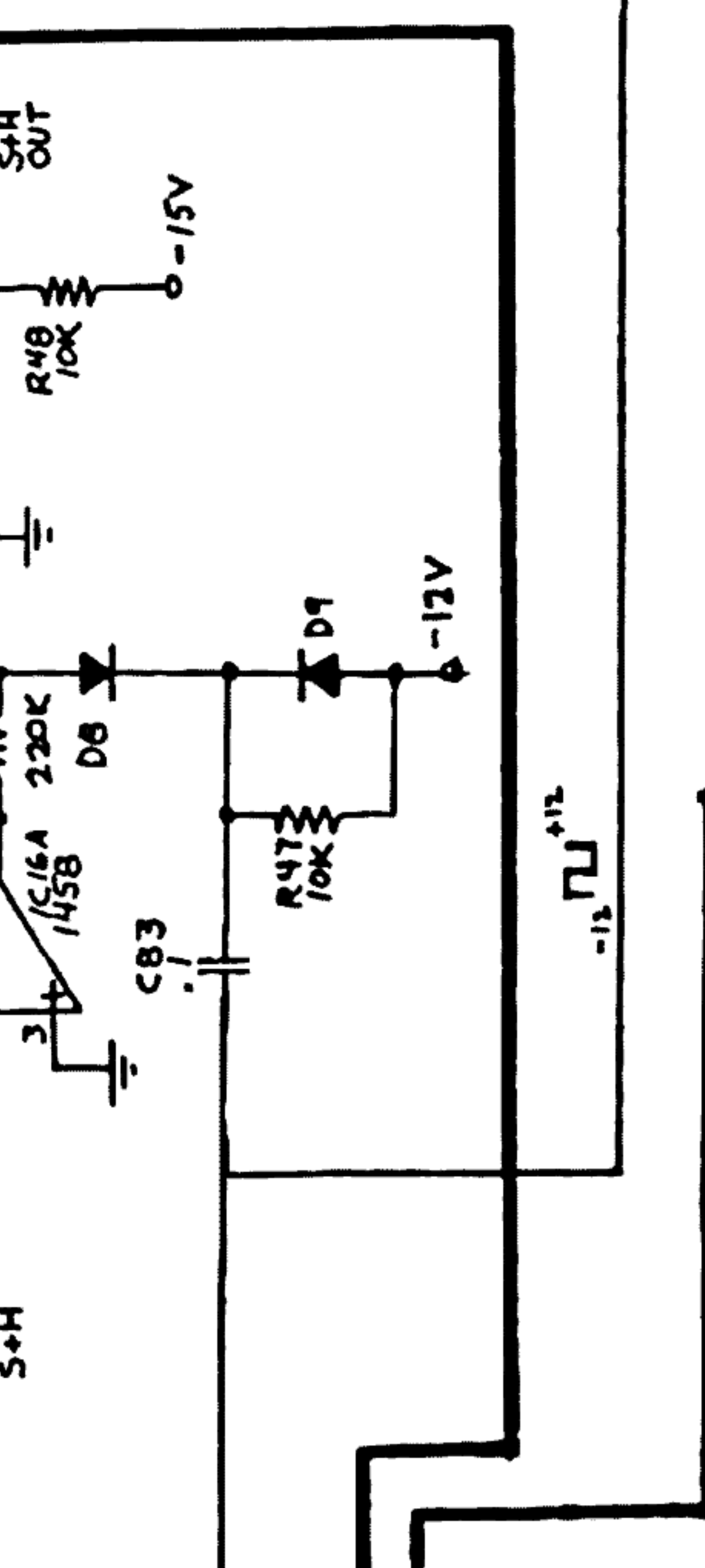
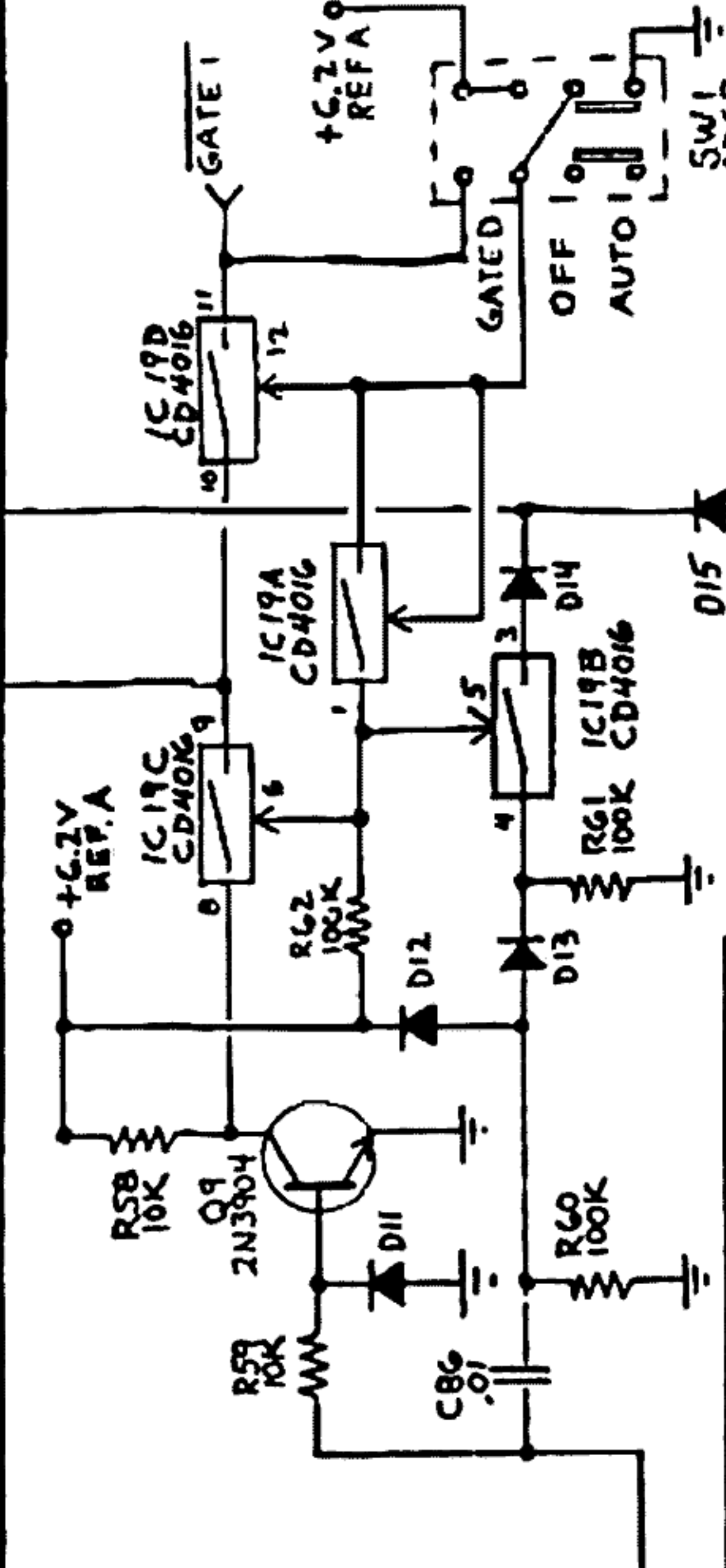
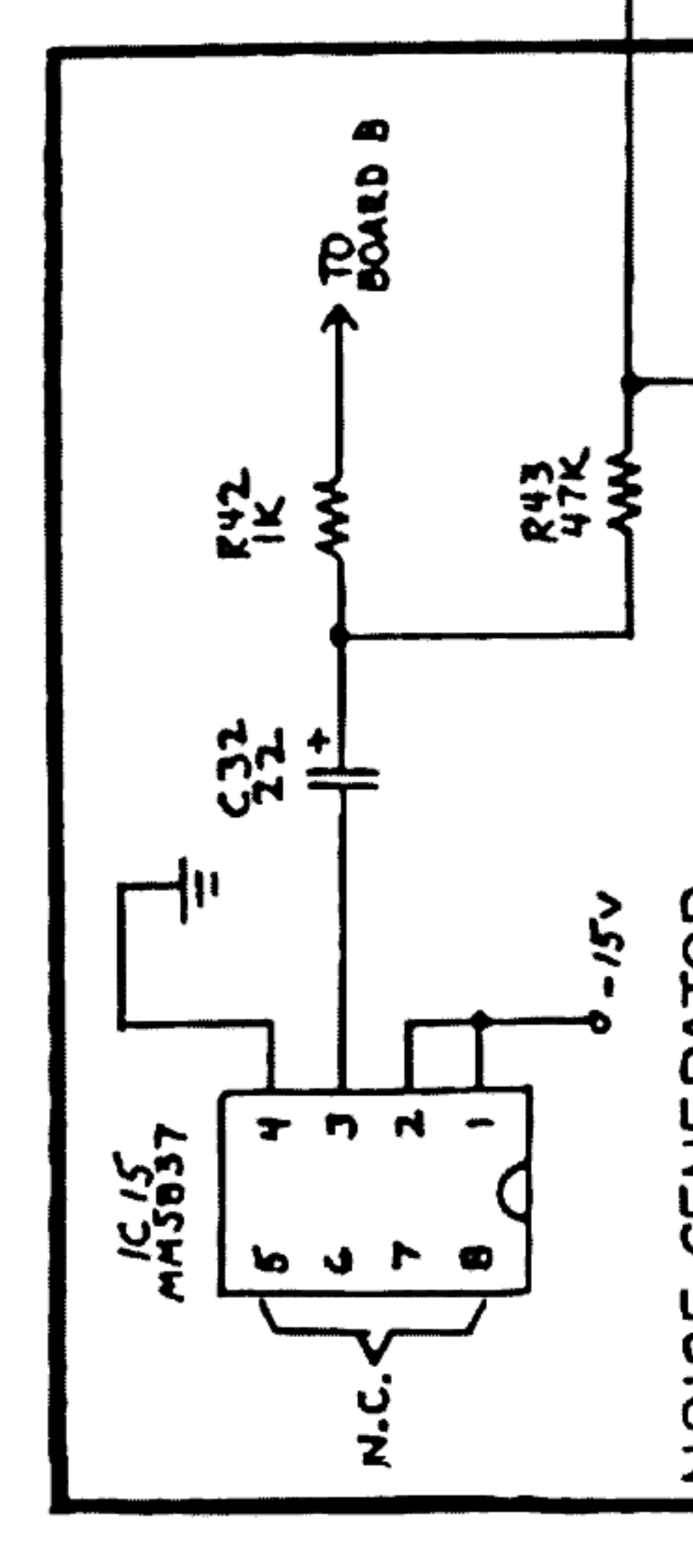
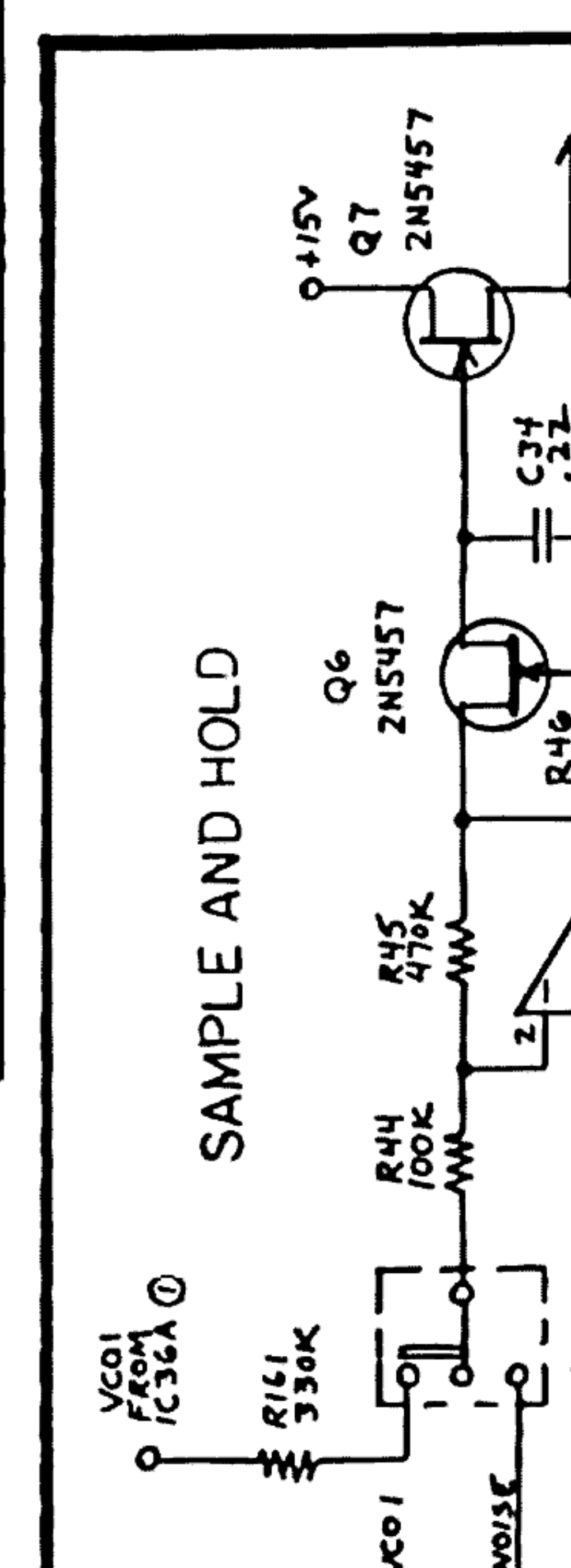
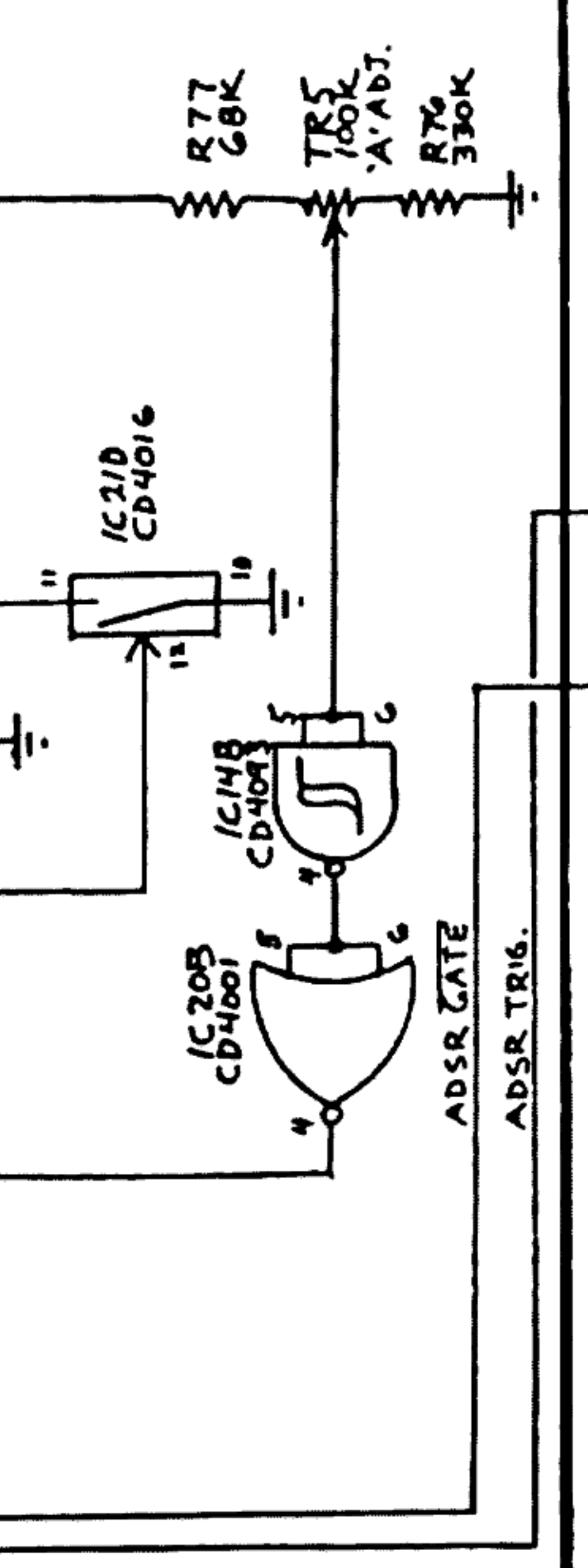
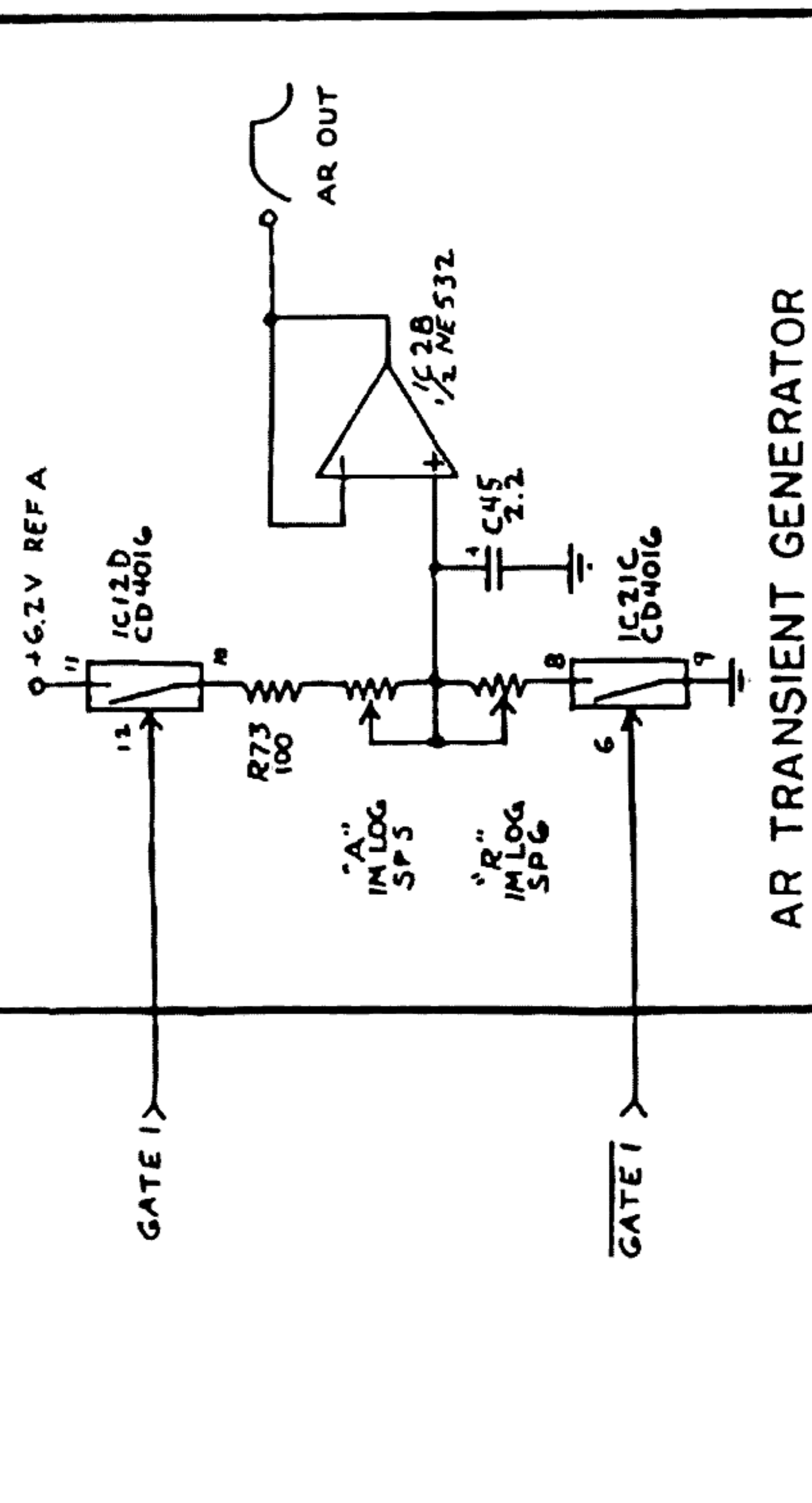
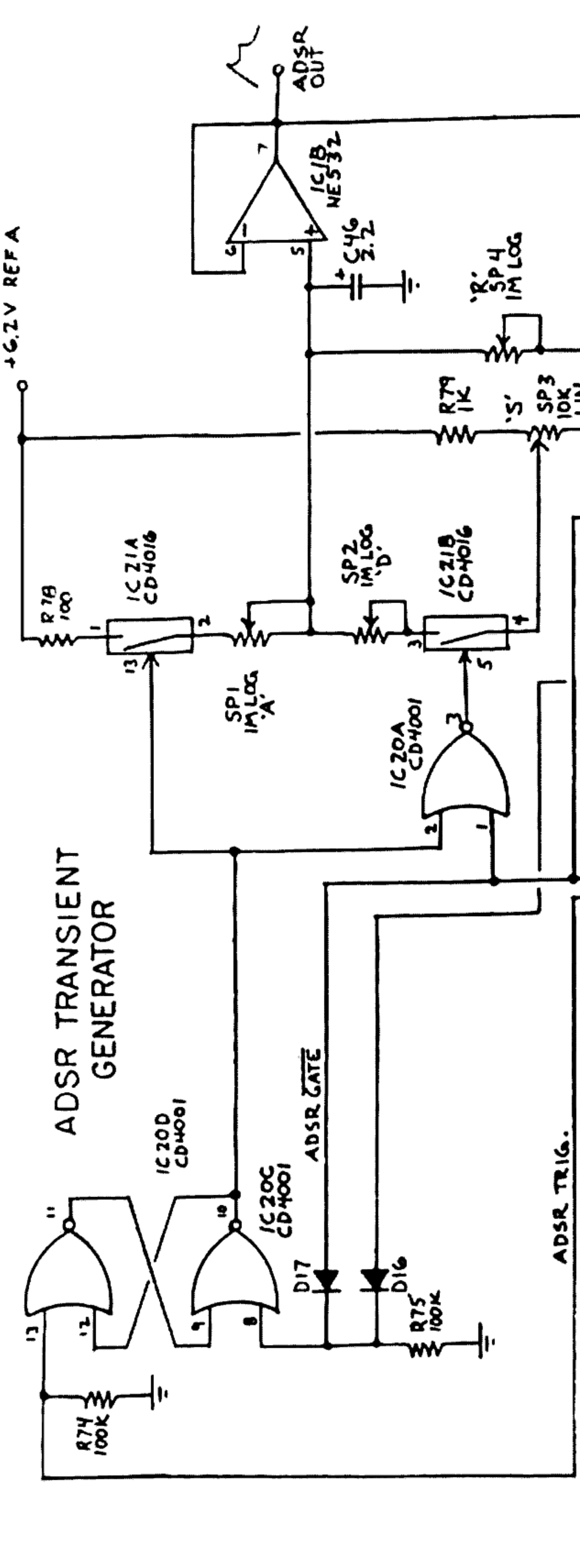
**VOLTAGE REFERENCES**

**NOTES:**

1. ALL RESISTORS IN OHMS, 1/4W, 5% TOL. UNLESS OTHERWISE MARKED
2. ALL CAPACITORS IN MF (P. PICOFARADS).
3. C2, C16 METALLIZED MYLAR 10% TOL
4. # DENOTES RESISTOR PACK, ALL 1% TOL.
5. ALL DIODES 1N914 OR 1N4148

**CAT SRM SYNTHESIZER**  
 BOARD A  
 PAGE 1 OF 3  
 8-78

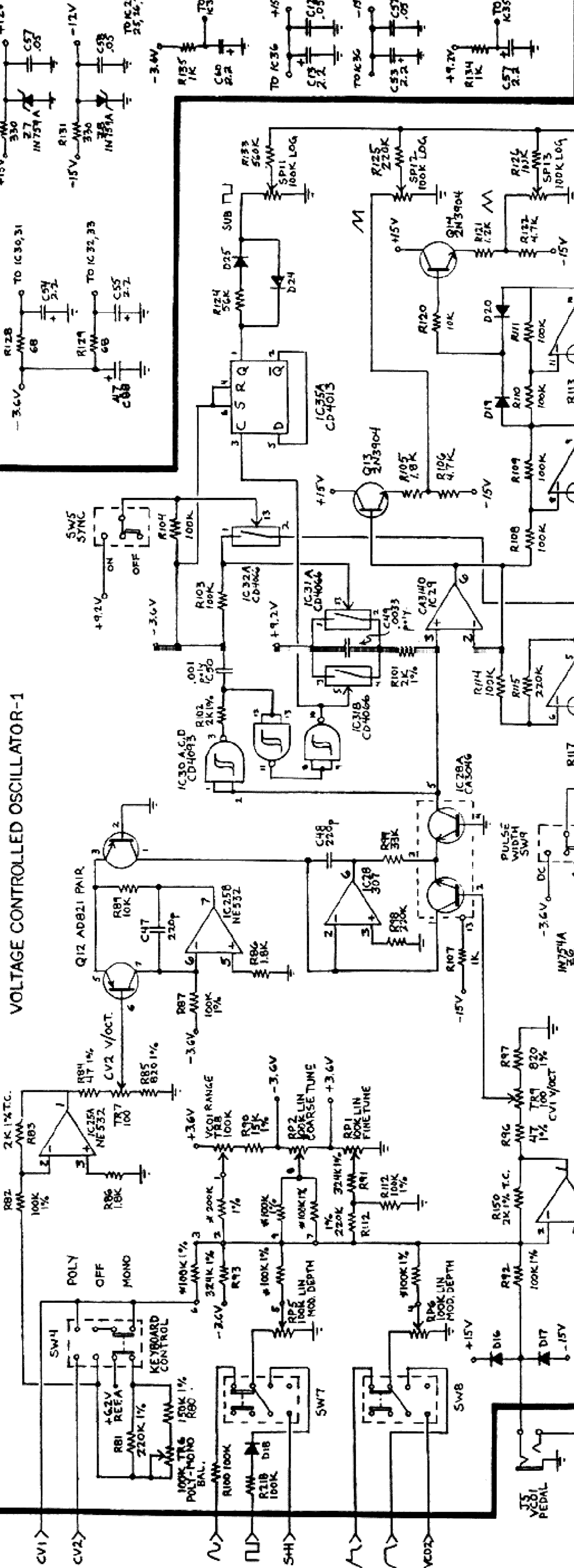




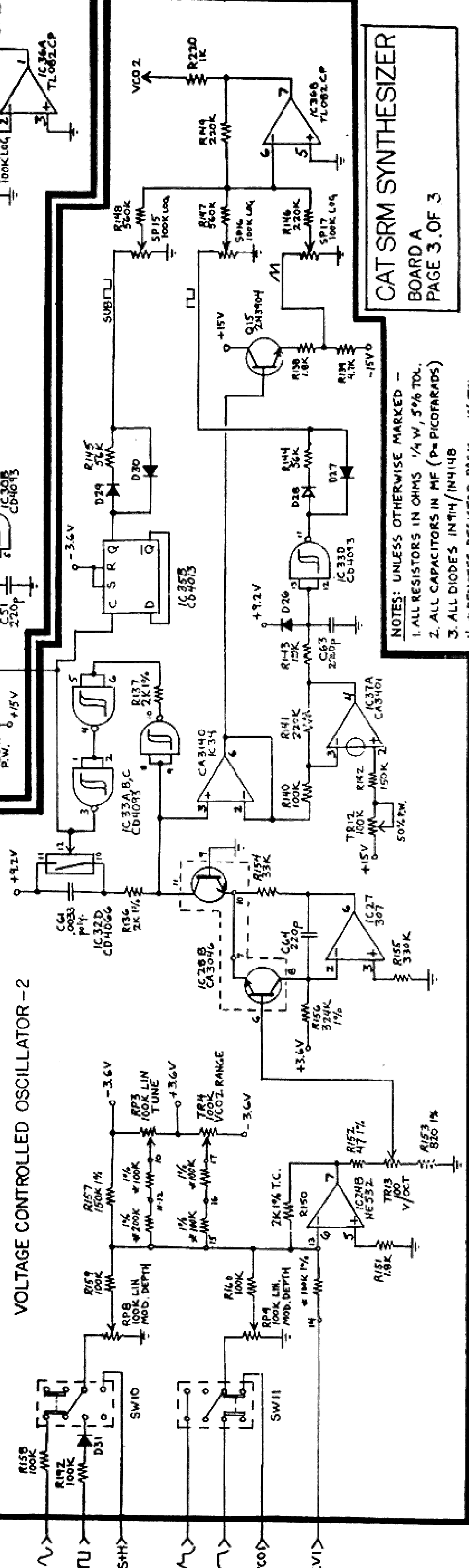
NOTE: UNLESS OTHERWISE SPECIFIED  
 1. ALL RESISTORS IN OHMS. 1/4W, 5% TOL.  
 2. ALL CAPACITORS IN MICROFARADS  
 3. ALL DIODES IN4148 OR IN914



VOLTAGE CONTROLLED OSCILLATOR-1



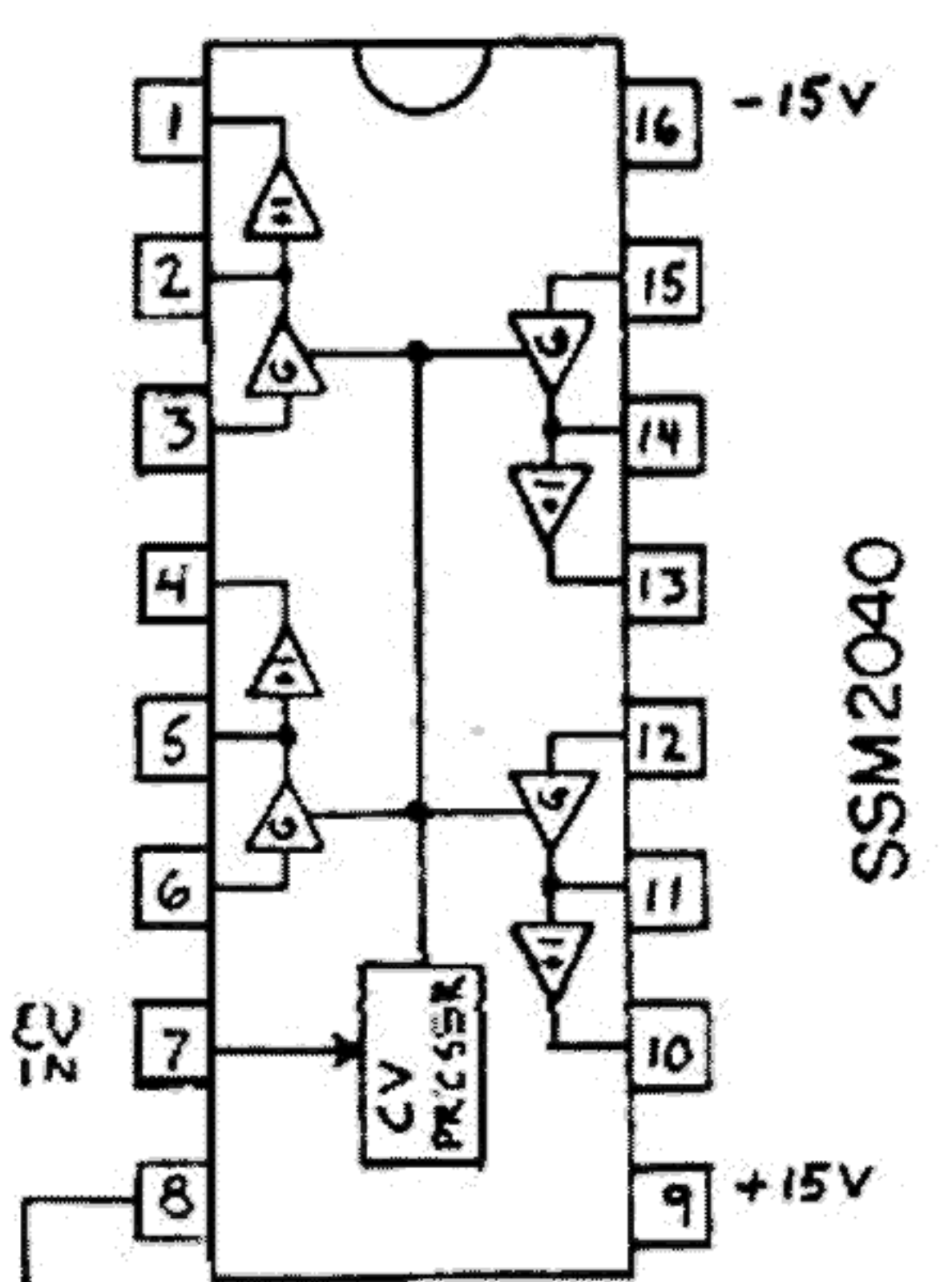
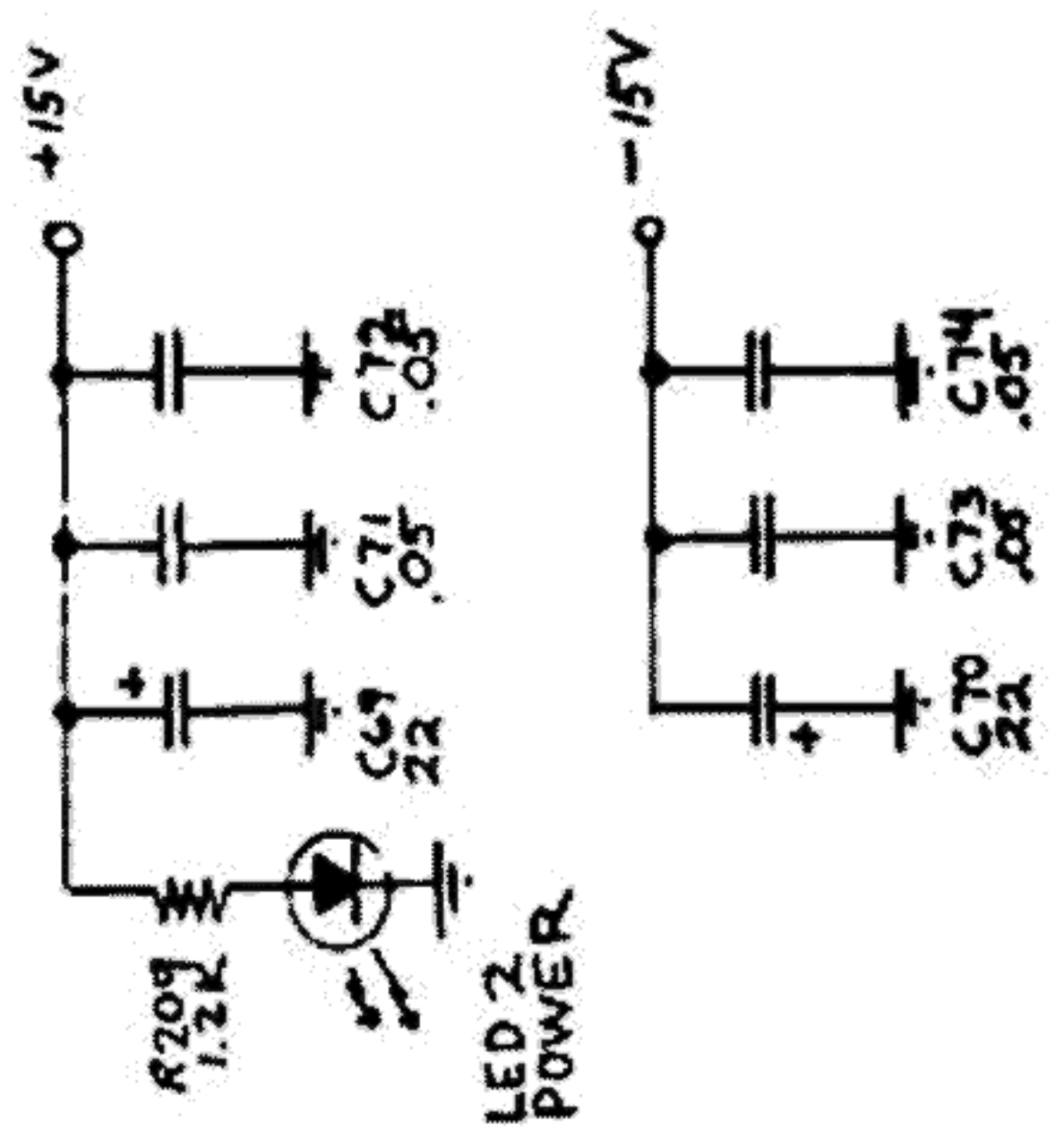
VOLTAGE CONTROLLED OSCILLATOR-2



CAT SRM SYNTHESIZER  
BOARD A  
PAGE 3 OF 3

- NOTES: UNLESS OTHERWISE MARKED -
1. ALL RESISTORS IN OHMS 1/4 W, 5% TOL.
  2. ALL CAPACITORS IN MF (P= PICO FARADS)
  3. ALL DIODES IN 1N4148
  4. # DENOTES RESISTOR PACK - 1% TOL.





NOTE: UNLESS OTHERWISE MARKED  
 1. ALL RESISTORS IN OHMS, 1/4W, 5% TOL.  
 2. ALL CAPACITORS IN MF  
 3. ALL DIODES IN 914 / IN4148

VOLTAGE CONTROLLED FILTER

