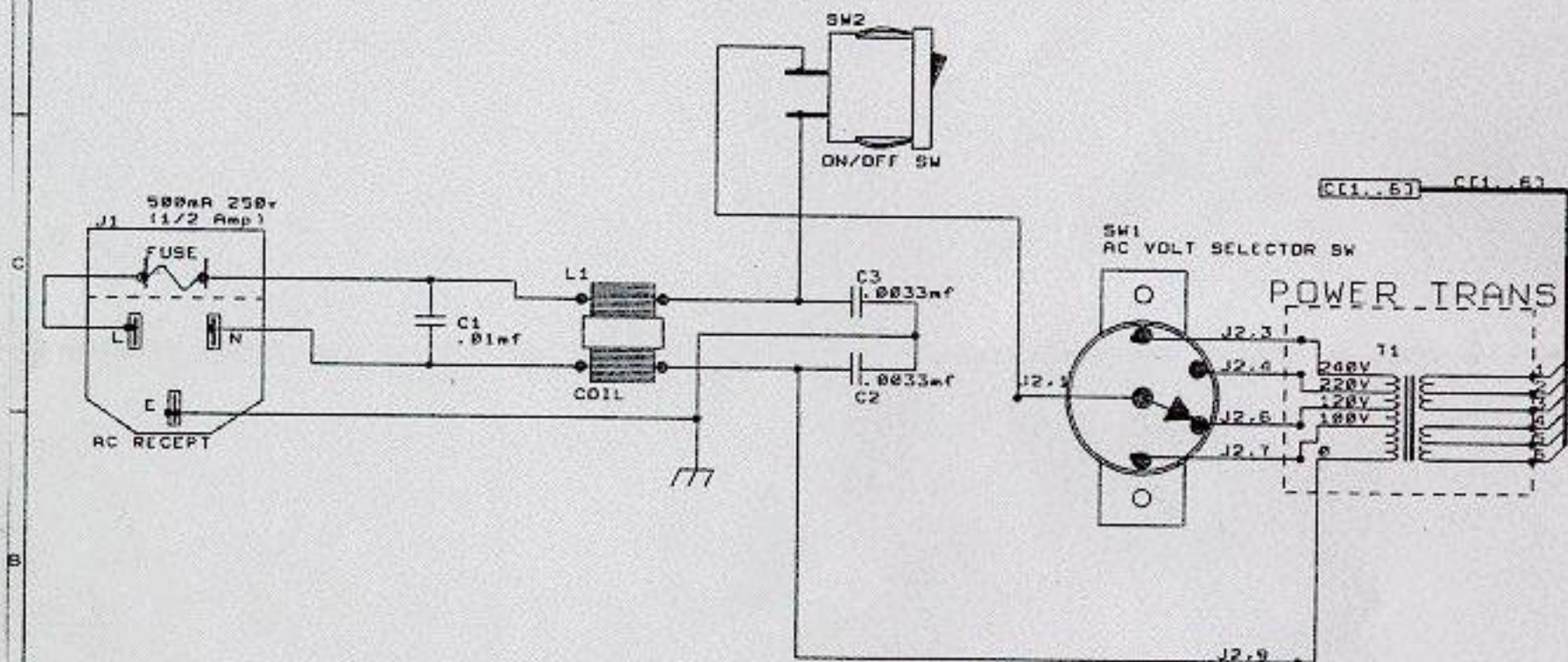


MATRIX-1000 FILTER (B)

* USE AFTER SERIAL NUMBER 850000 *

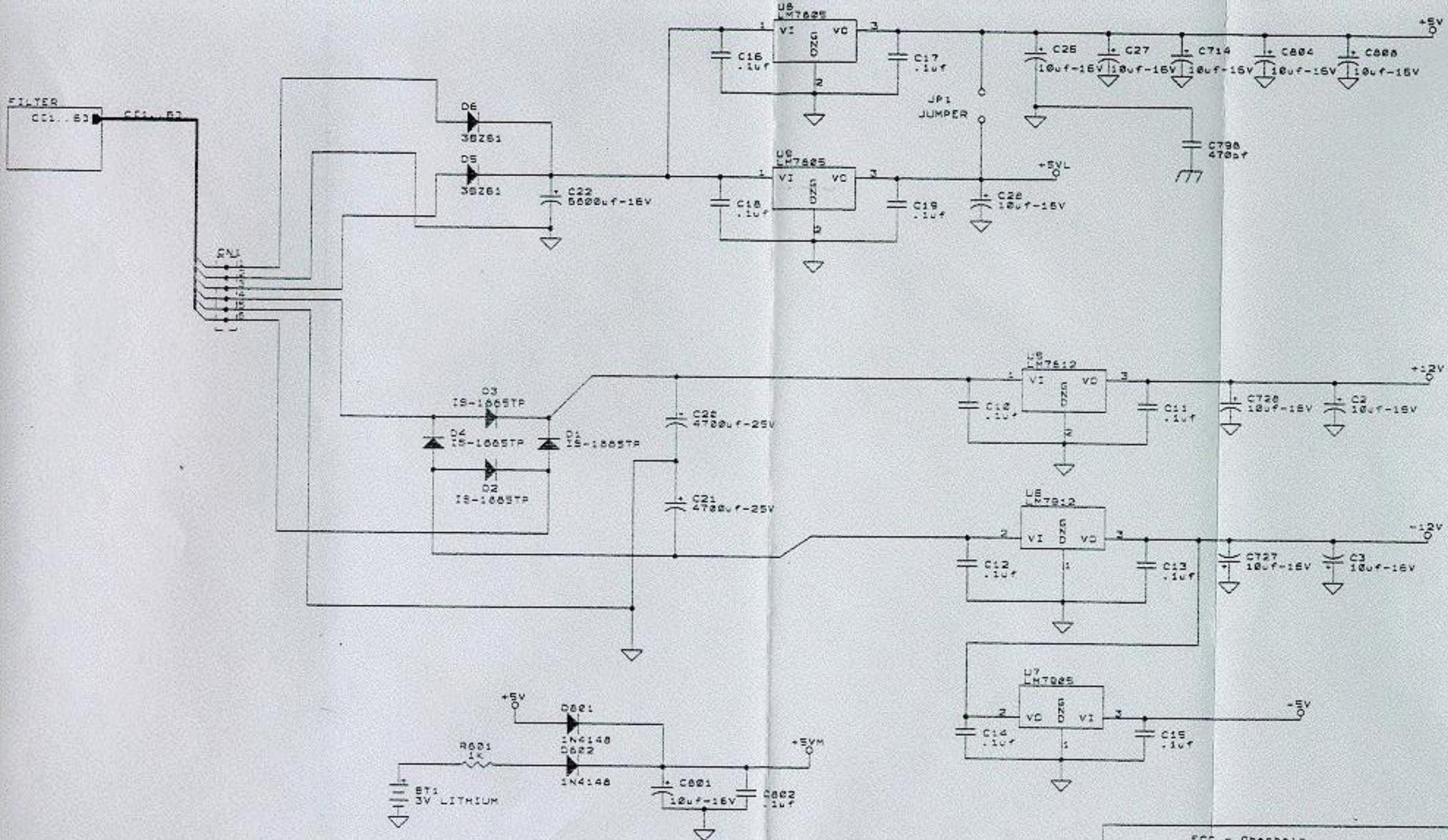


ECC/OBERHEIM
2015 Davis Ave.
Commerca, CA. 90048-1704

Title
MATRIX-1000 FILTER (B)

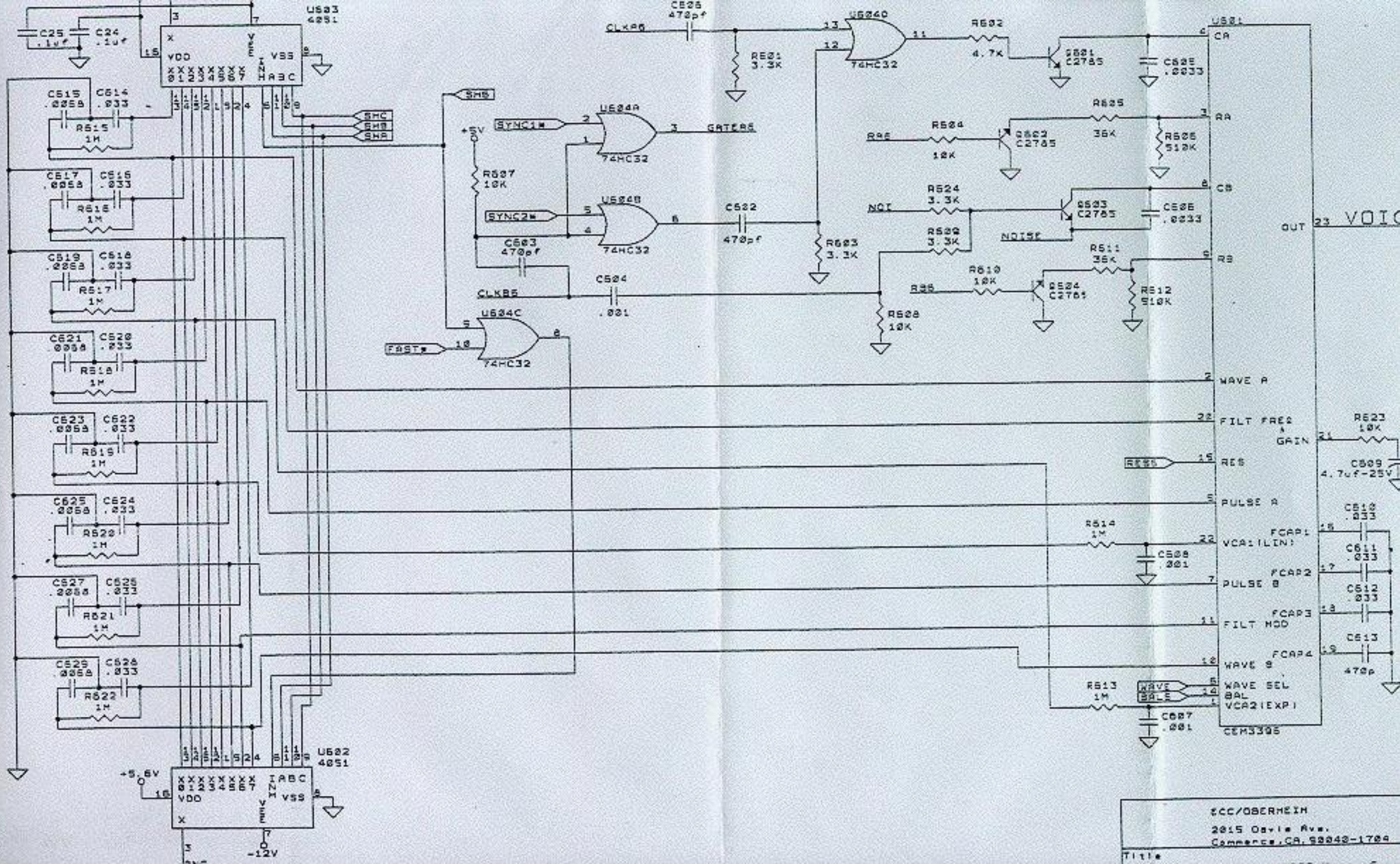
Size	Document Number	REV
A	2446	B

Date: October 20, 1968 Sheet 1 of 1

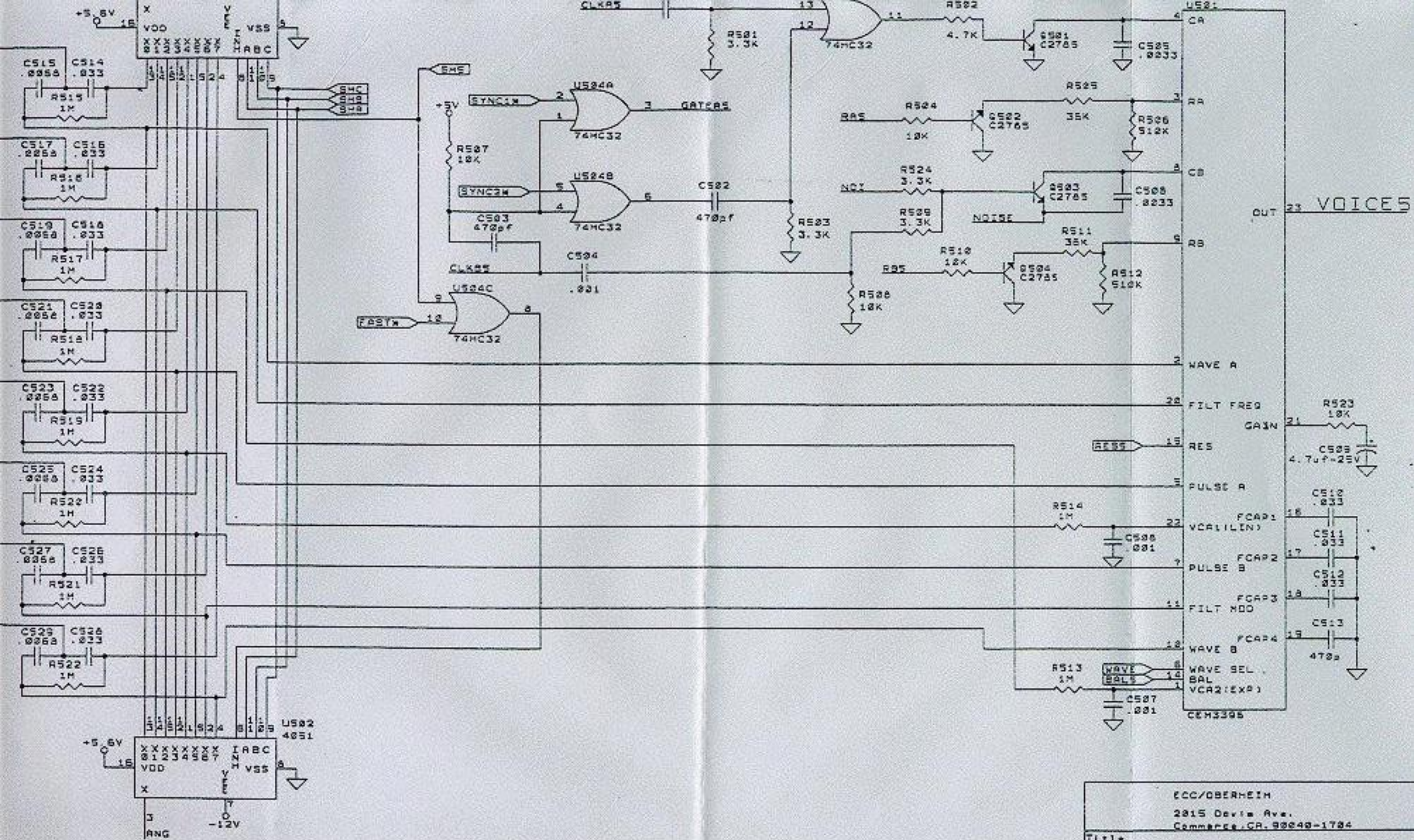


ECC - Oberheim
 2215 Devie Ave.
 Carmel, CA 92040-1704

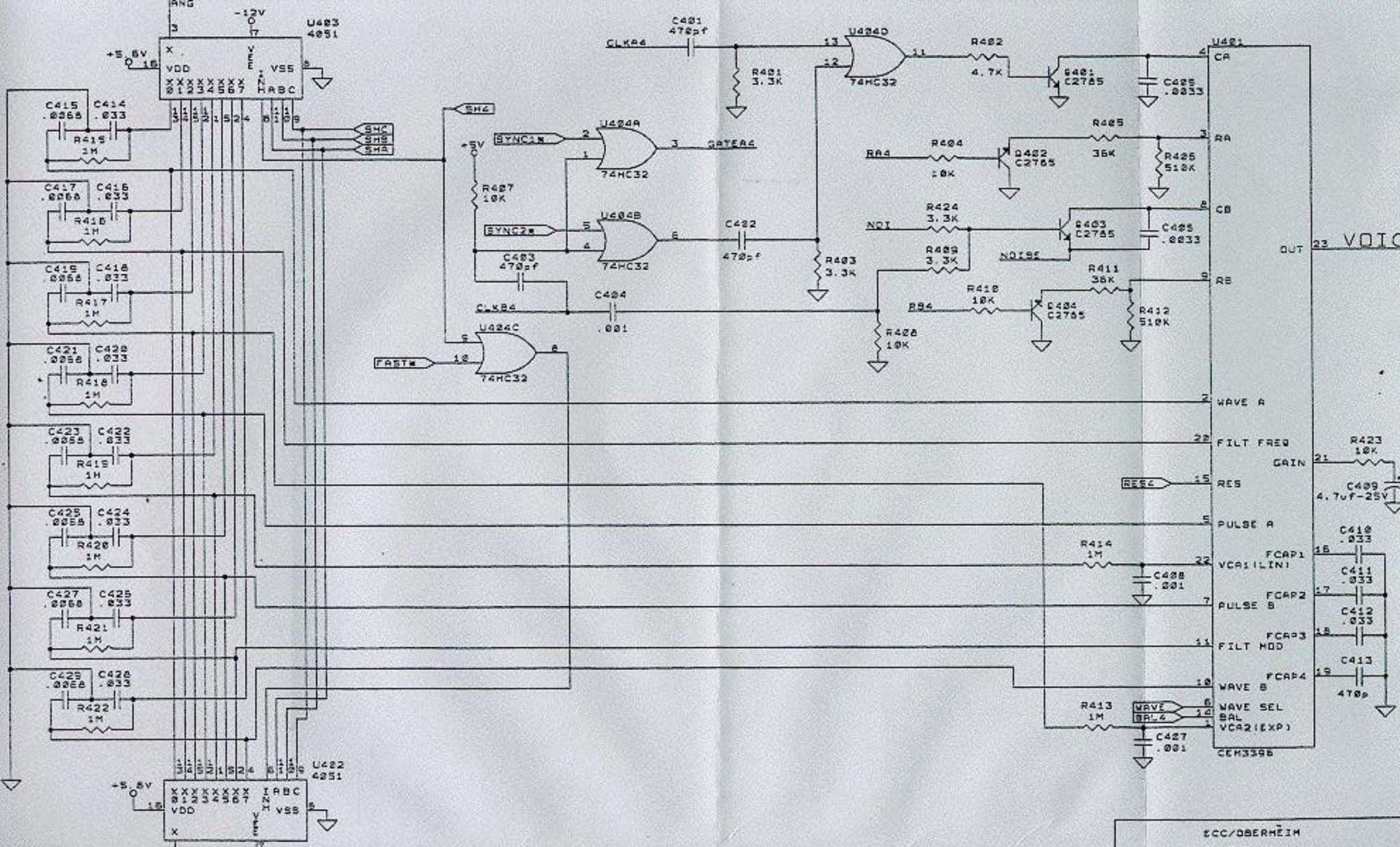
Title



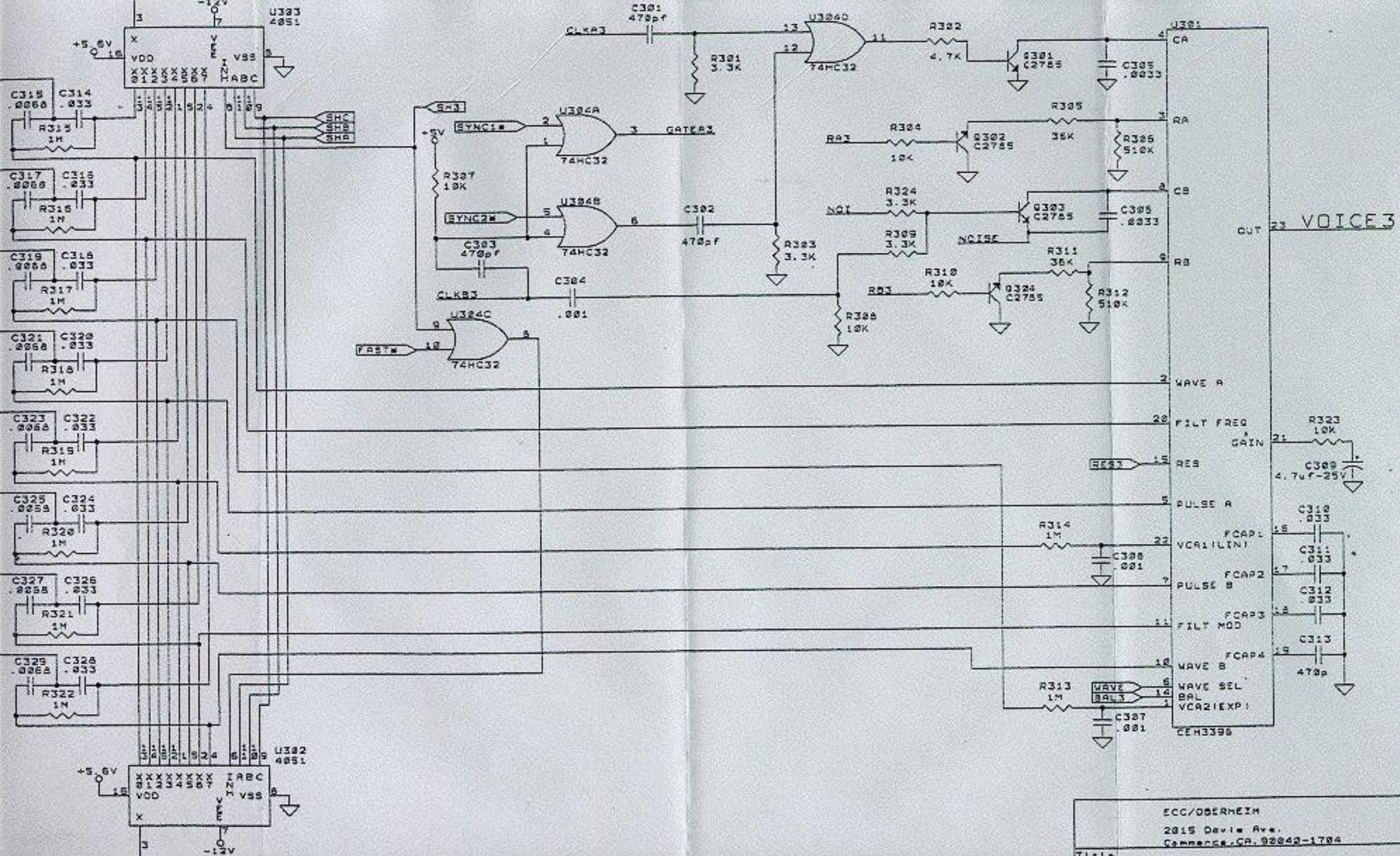
ECC/OBERHEIM
 2015 Osyle Ave.
 Camarillo, CA 93040-1700
 Title



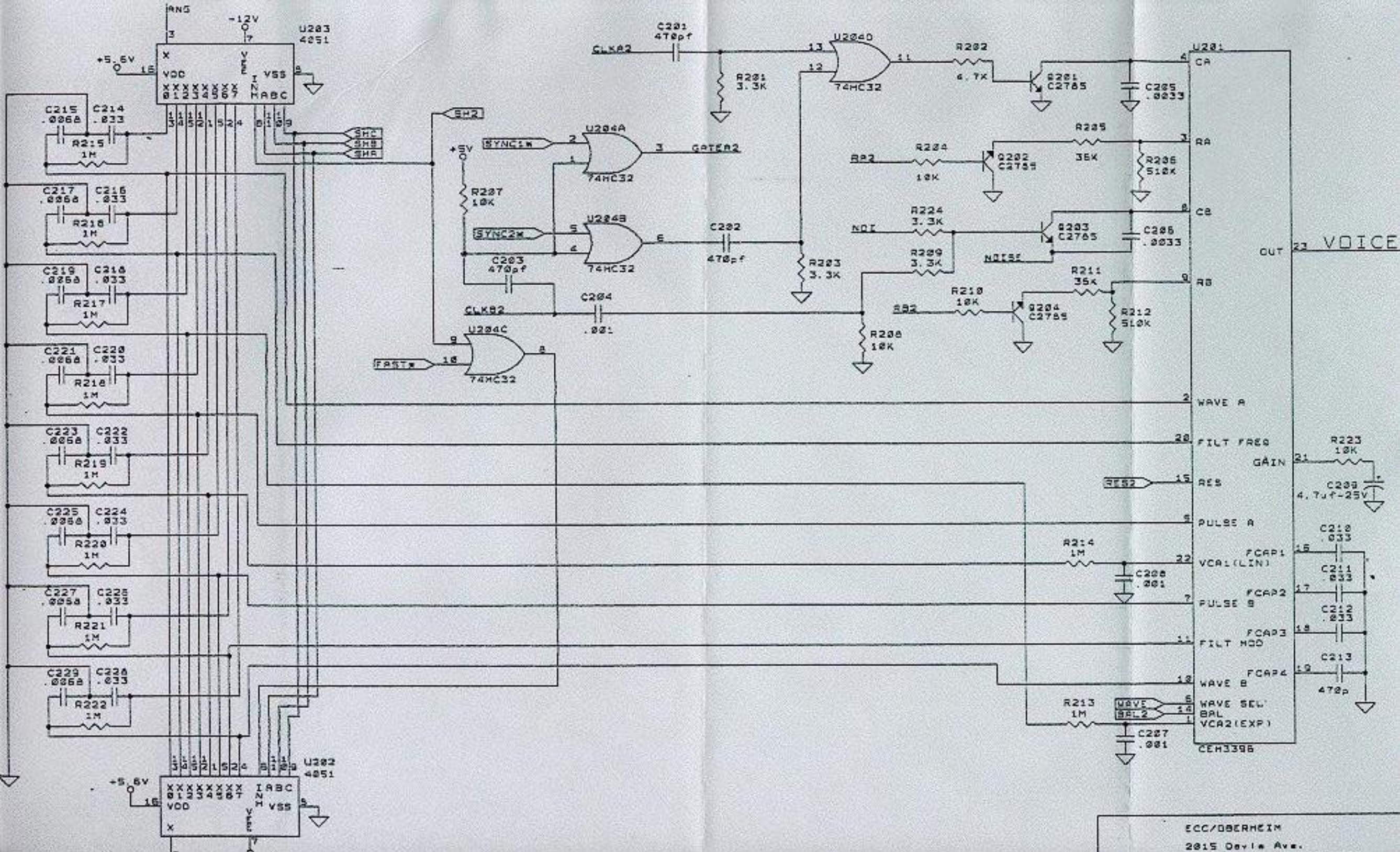
ECC/OBERHEIM
 2815 Davis Ave.
 Camarillo, CA 93040-1784
 Title Matrix-1000 Voice 5

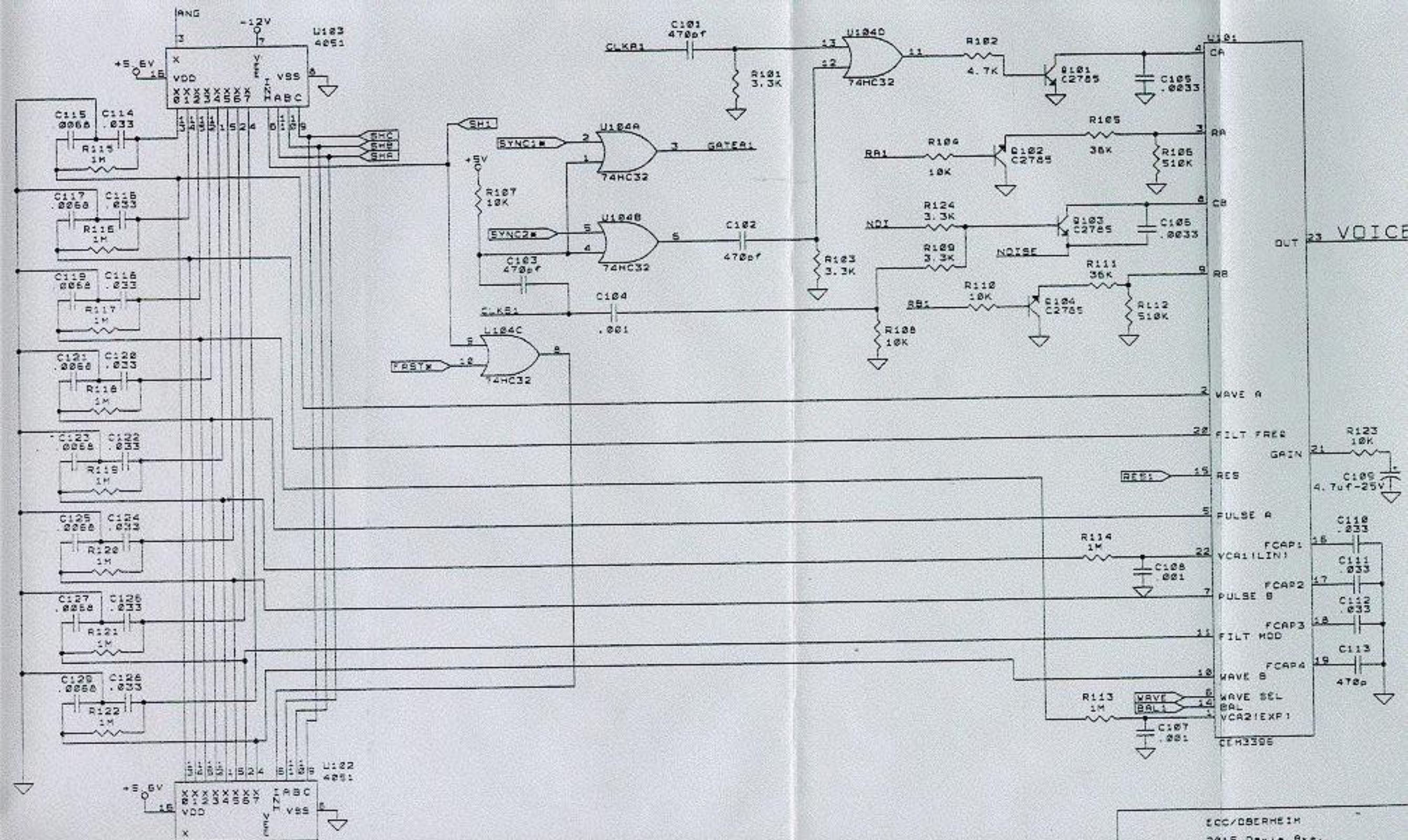


ECC/OBERHEIM
 2815 Davis Ave.
 Campbell, CA 92009-1784

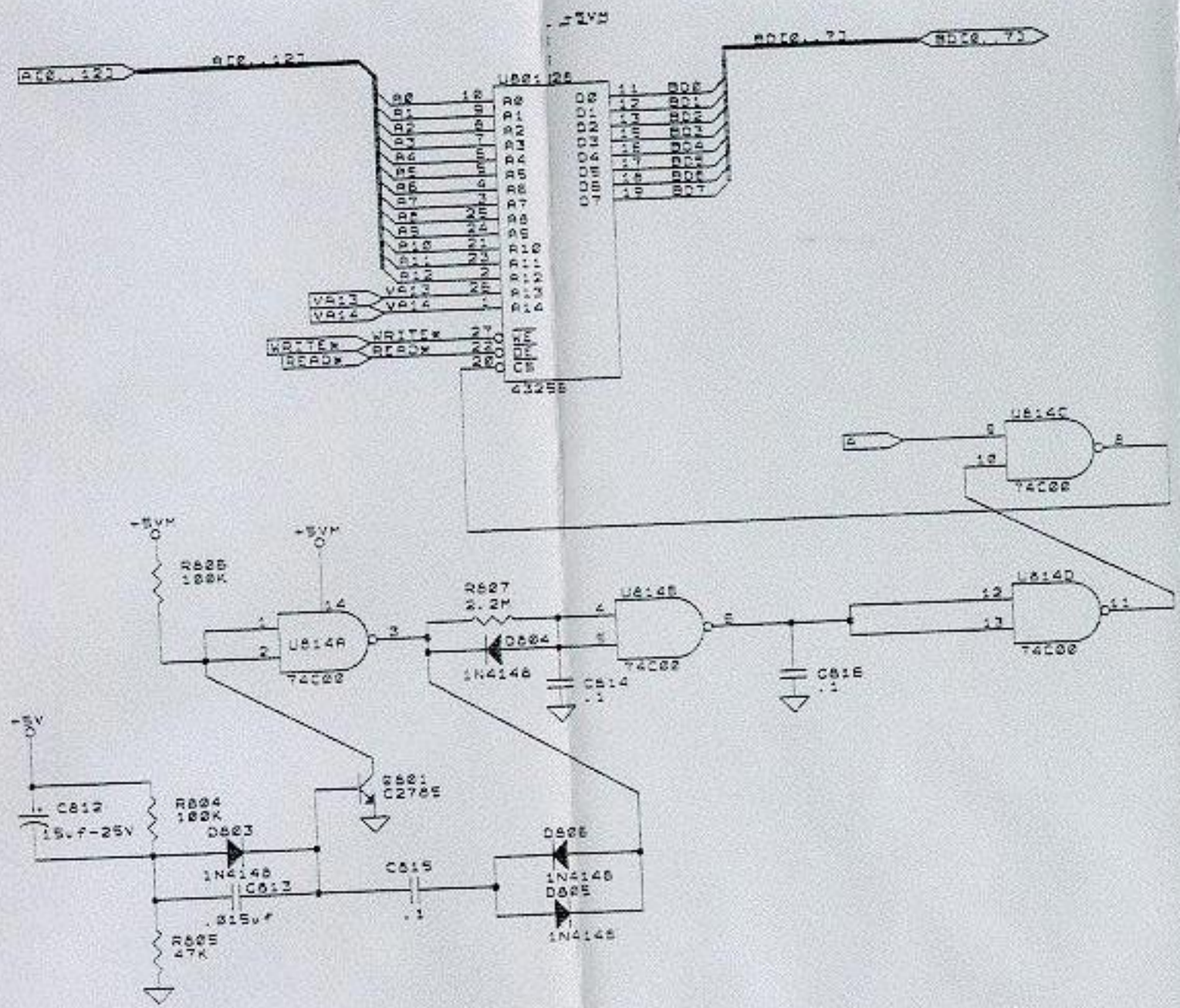


ECC/OBERHEIM
 2815 Devle Ave.
 Camarillo, CA. 92042-1785
 Title

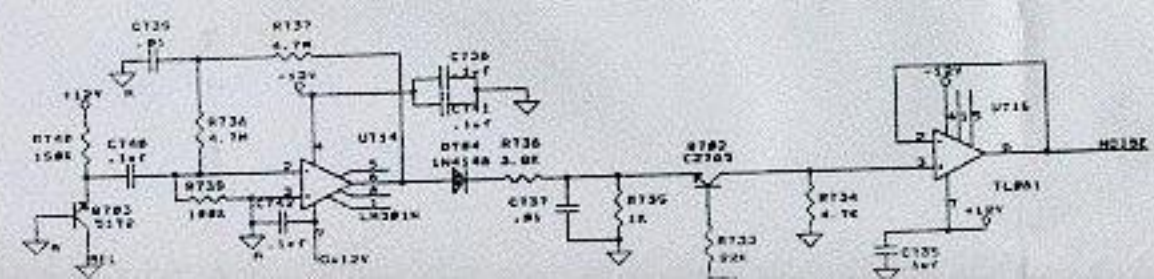
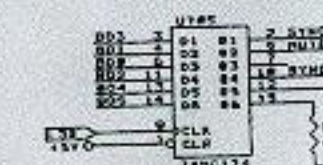
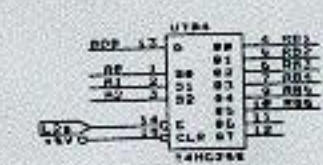
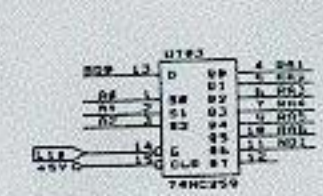
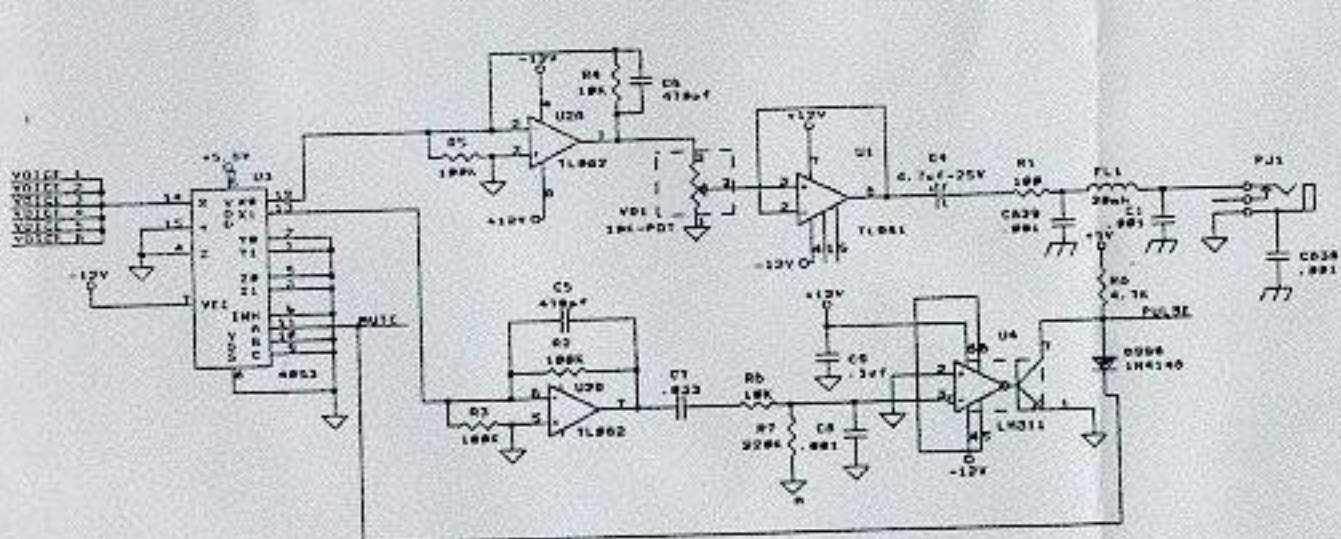
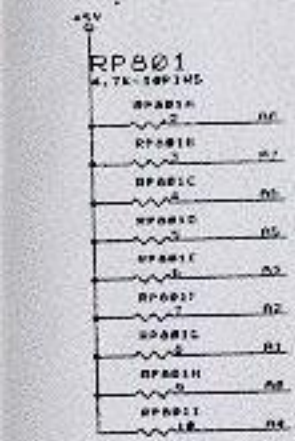
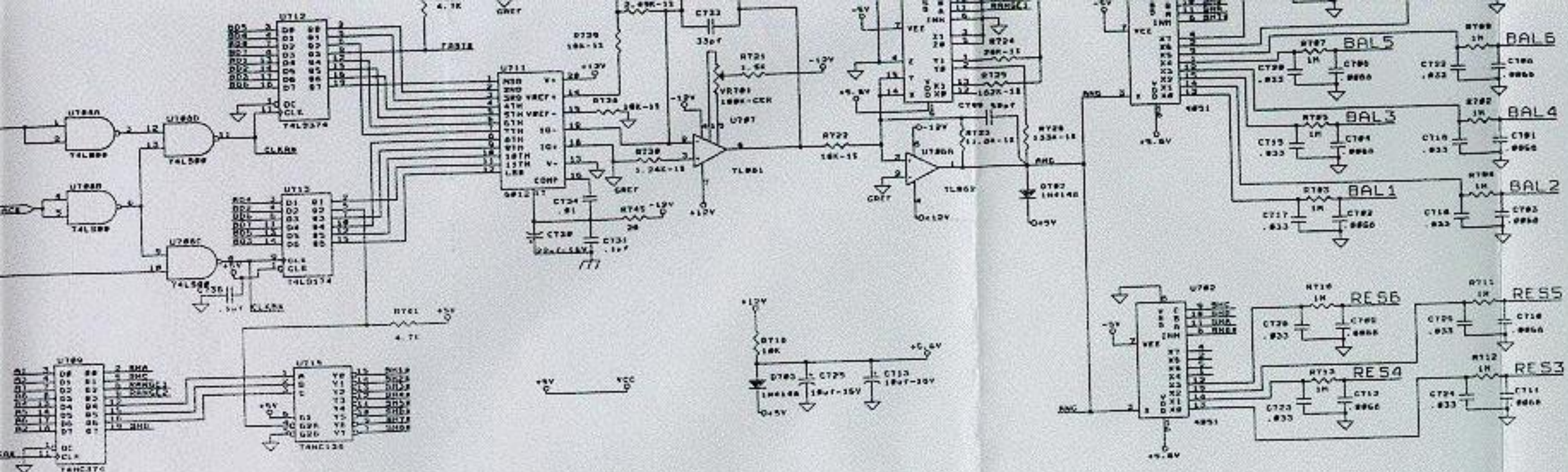




ECC/OBERHEIM
 2015 Davis Ave.
 Commerce, CA 92640-1704



ECC/OBERHEIM		
2015 Davis Ave.		
Camarillo, CA, 93020-1784		
TITLE	Mat-14-1000 CMOS	REV
Doc. Number	2487	B
Date: September 30, 1988	Sheet 5 of 12	



ECC/DERHEIM
 2815 Davis Ave.
 Channahon, IL 60418-1184

