

# MusicParts.Com

## Technical Document Distribution

---

<b>Brand:</b>	<b>Oberheim</b>
<b>Model</b>	<b>OB-1</b>
<b>Product:</b>	<b>Synthesizer</b>
<b>Description:</b>	<b>Schematic</b>

---

Musicparts Document Number: 45875      TechTips: No      Pages: 20      Dated: 1977-78

Hello,

Welcome to MusicParts.Com, Inc. your online resource for technical documents and service information. This PDF package may contain information, schematics, parts lists, images, engineering changes, previous versions, circuit descriptions, and many other unique features about the product you have chosen. This document was assembled from a variety of sources and is the result of our many years in the music repair business.

TECHTIPS: Unique to Musicparts documents are **TECHTIPS** located in critical areas on the schematics. They contain useful information about that area of the schematic such as common problems that we have found and recommended changes. Not all documents will have TechTips.

NOTE: Large original over-sized drawings will need to be taped together. We feel this is better than reducing them and losing fine details.

VIEWING: This document is utilizing PAGE-ON-DEMAND downloading. This will let you navigate to any page without waiting for the entire file to download.

PRINTING: For the best quality, we highly recommend that when the print dialog appears, please **make sure "SHRINK OVERSIZED PAGES " is checked.**, otherwise you may cut off the edge of the page. Also please stay online while printing this document to make sure you get all the pages.

Visit us on the web at: <http://www.musicparts.com/>  
Email us at: [customerservice@musicparts.com](mailto:customerservice@musicparts.com)

## **MusicParts.Com Special Notes**

### **Copy Quality Concerns**

PLEASE NOTE: This Package Contains Blueprints

The following documents were taken from rare original factory blueprints which are quite old and faded but are still quite readable. As you know, blueprints are not very sharp but it was the best technology of it's day.

For best results, print them using a laser printer. We use high quality scanning techniques and copy quality will be identical to the originals.

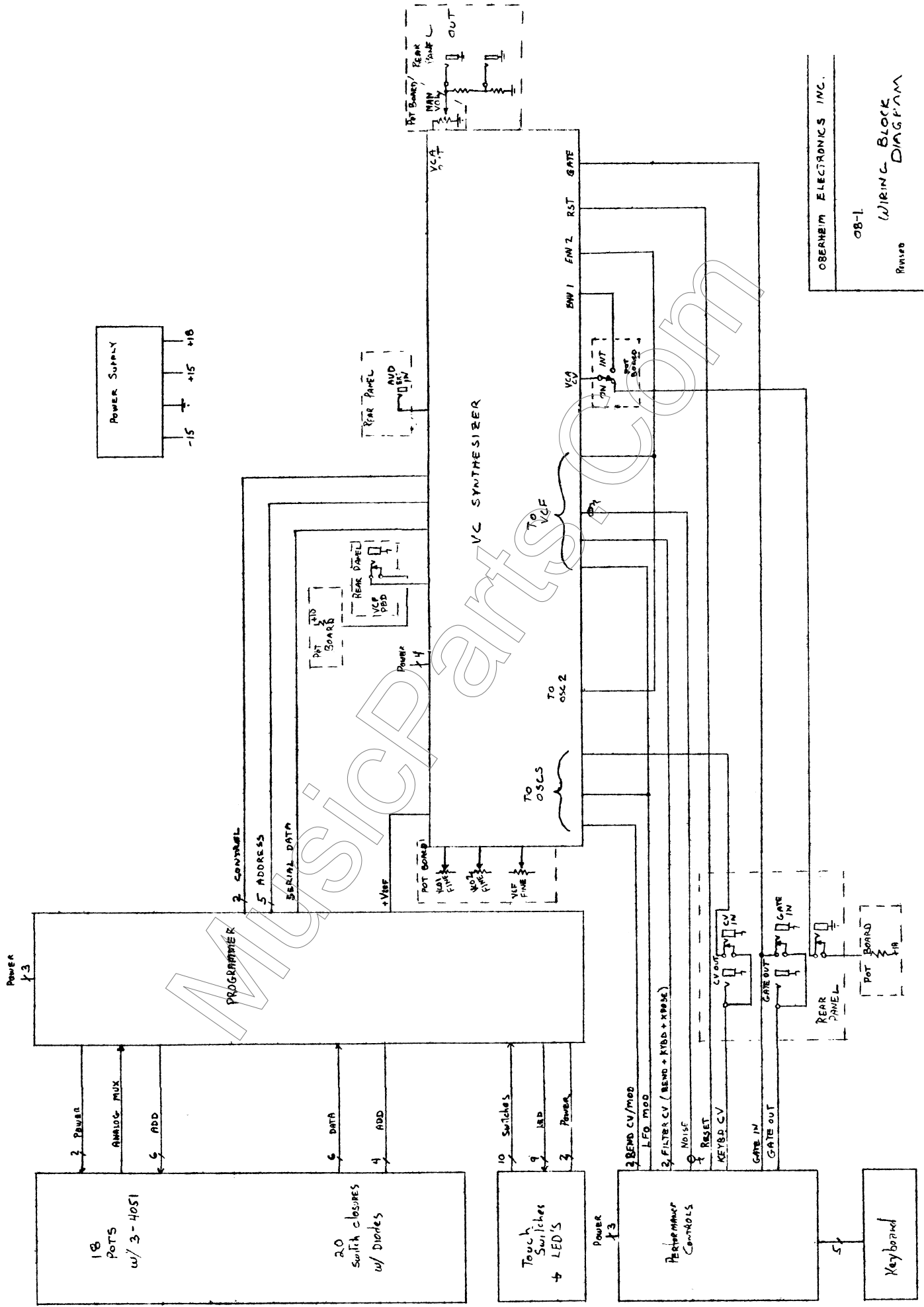
Thank You,  
Musicparts.com

**Oberheim**

**OB-1**

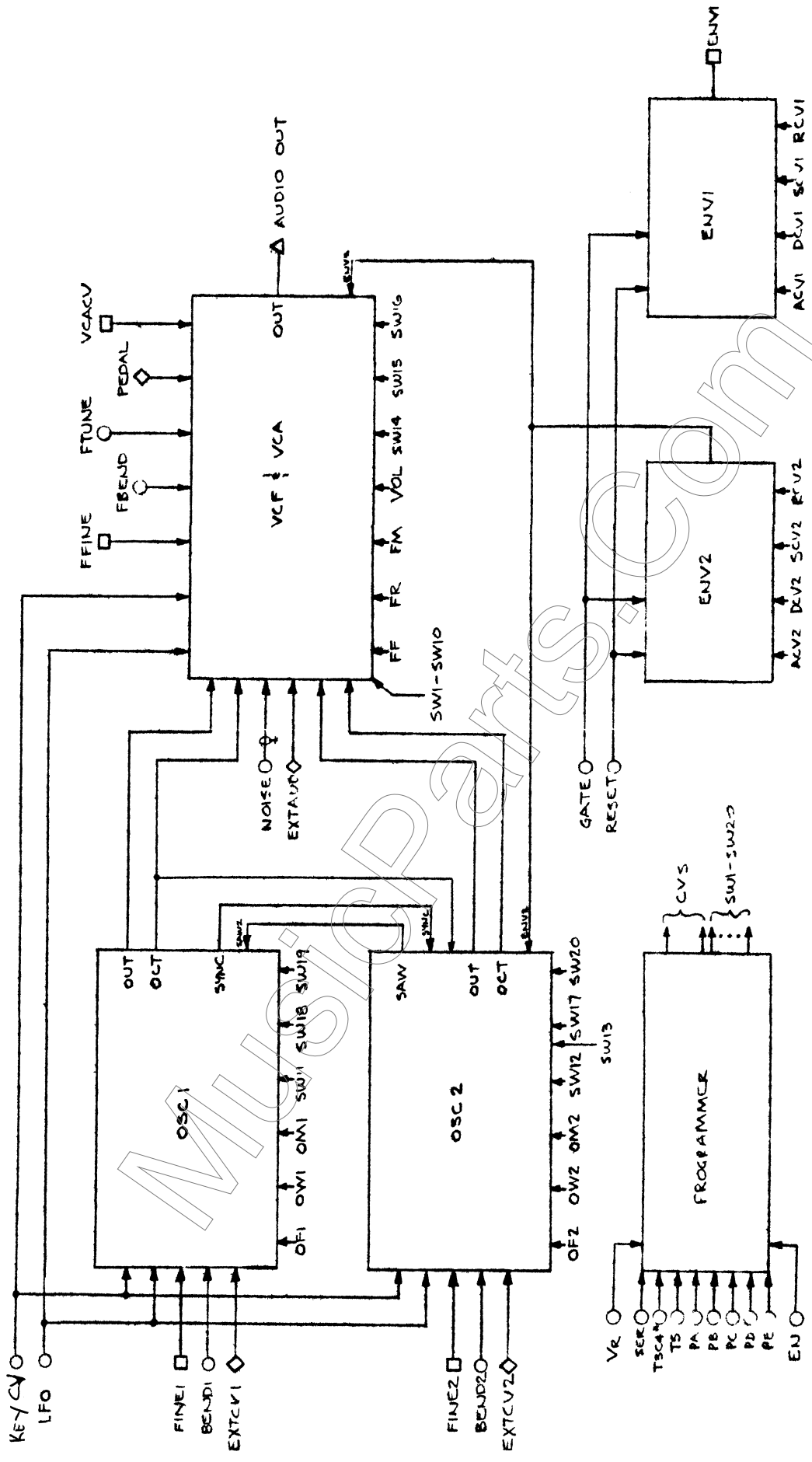
**Schematics**

MusicParts.Com

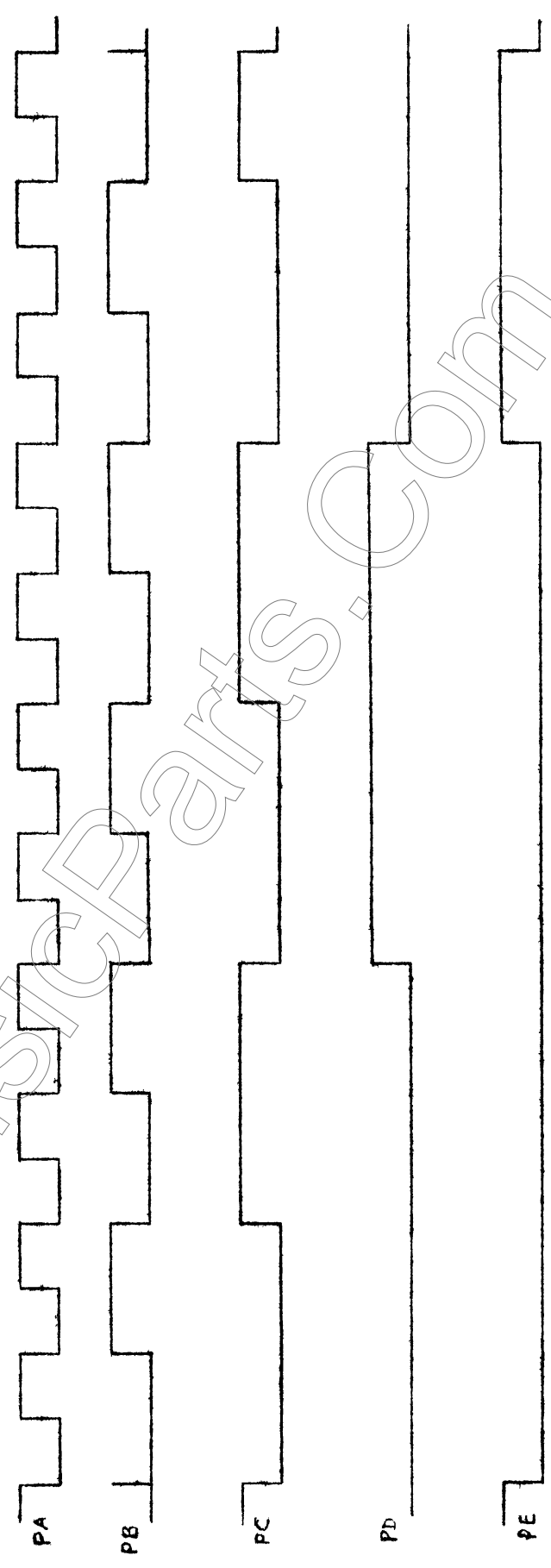
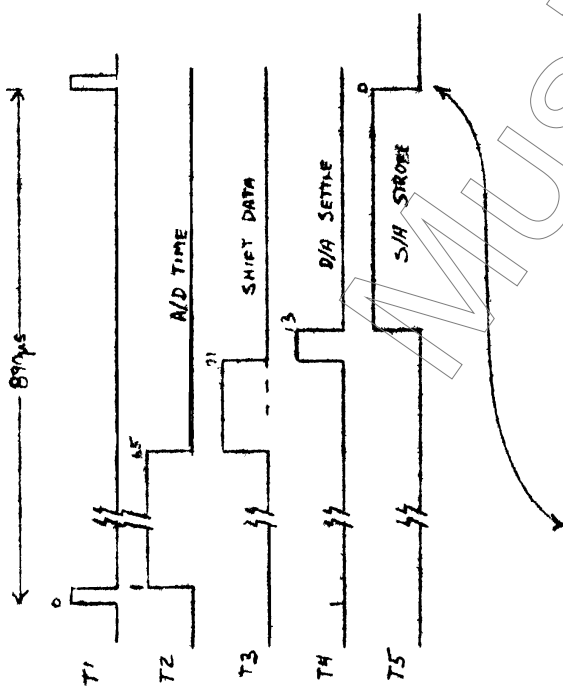


OBERHEIM ELECTRONICS INC.  
 OB-1  
 WIRING DIAGRAM  
 REVISED

OB-1 SYNTH BD



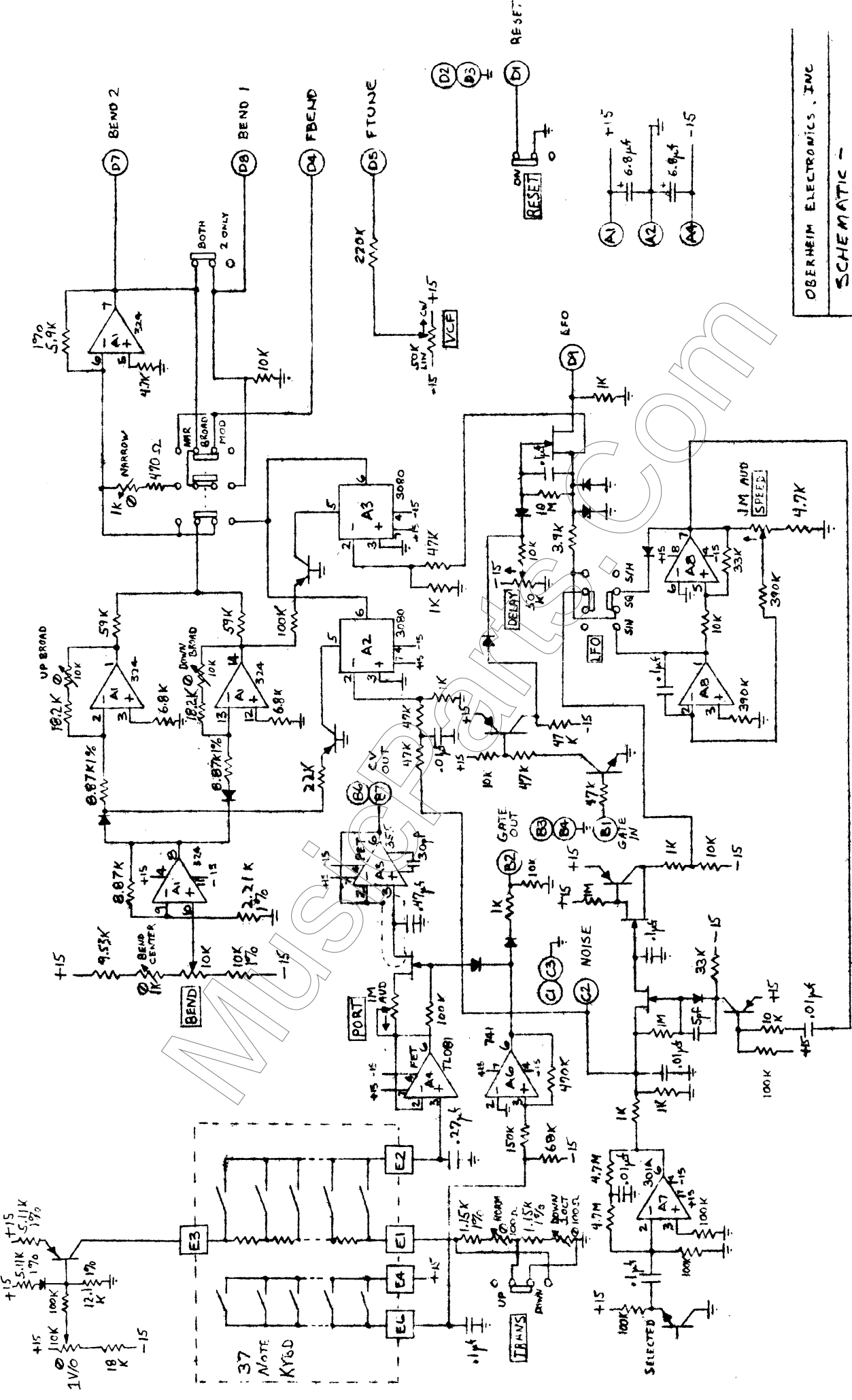
○ = TO/FROM PERFORMANCE BD  
 □ = TO/FROM POT BD  
 ◇ = TO/FROM REAR PANEL



DB-1  
TIMING

ATT1	DCY1	SUS1	RLS1	ATT2	DCY2	SUS2	RLS2	VCO1	VCO2	WCF	VCF	WAVE	WAVE	MOD	MOD	VCO1	VCO2	WCF	VCF	WAVE	WAVE	MOD	MOD	VCO1	VCO2	WCF	VCF	WAVE	WAVE	MOD	MOD
------	------	------	------	------	------	------	------	------	------	-----	-----	------	------	-----	-----	------	------	-----	-----	------	------	-----	-----	------	------	-----	-----	------	------	-----	-----

19.6 ms



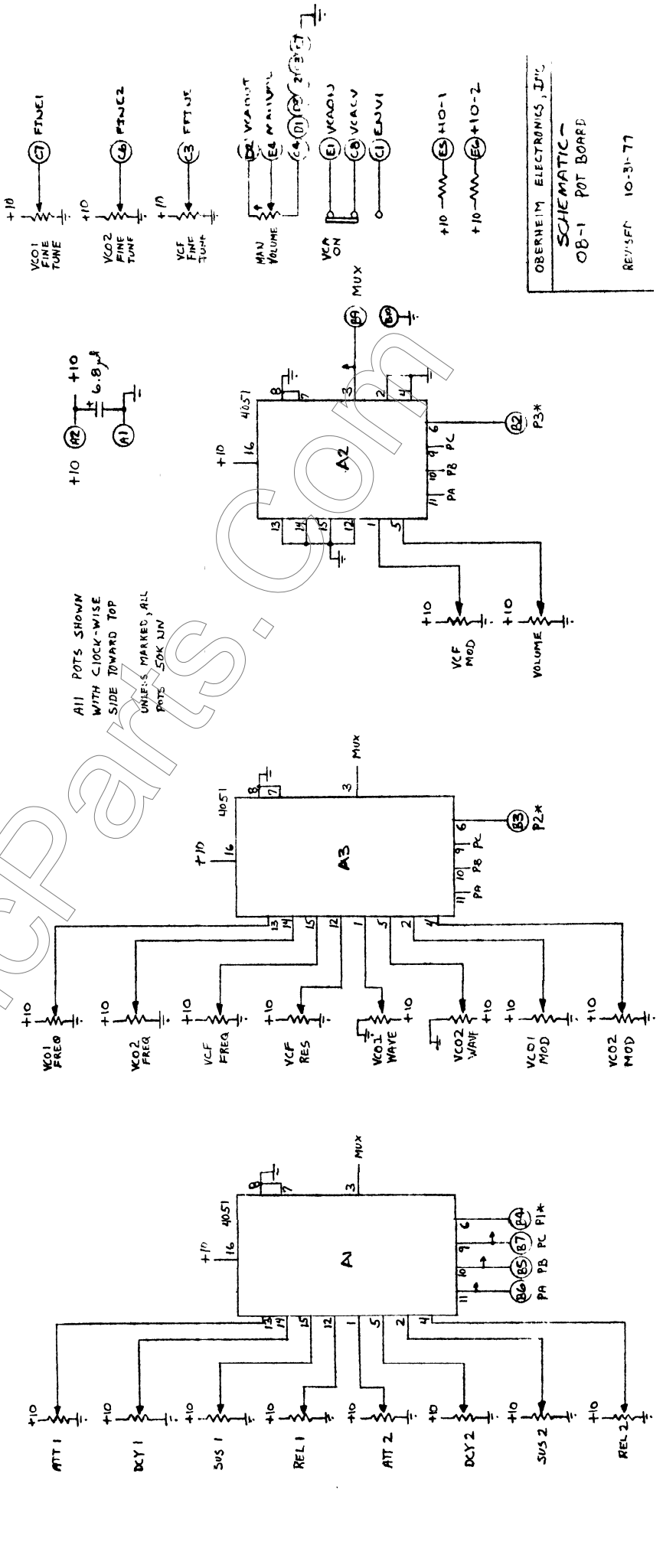
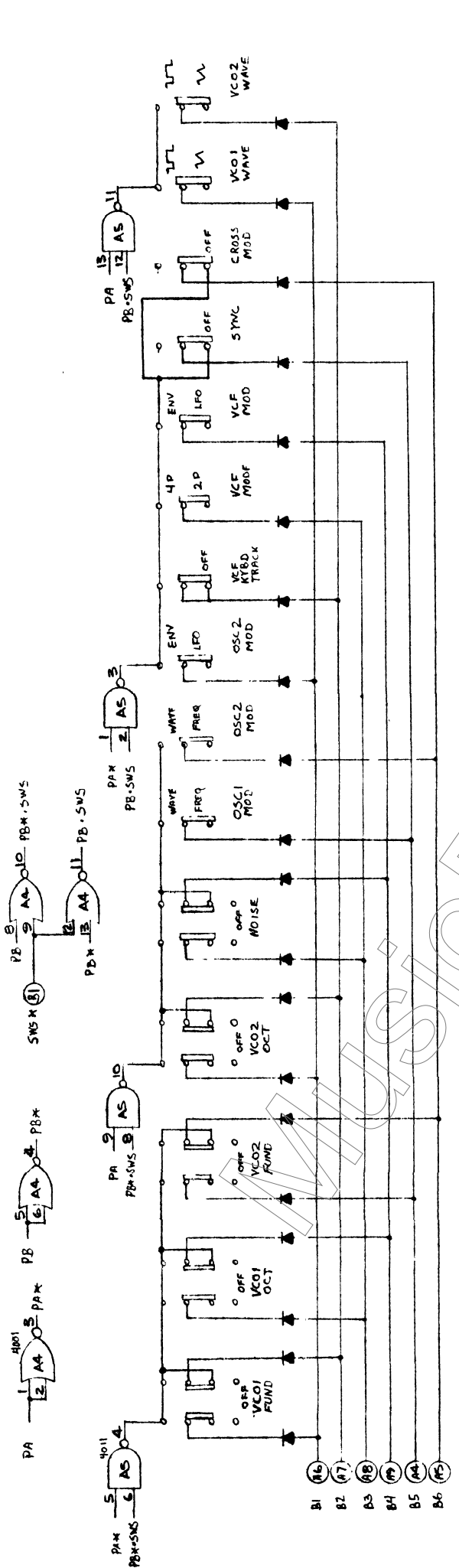
OBERHEIM ELECTRONICS, INC.

SCHEMATIC -  
OB-1

PERFORMANCE  
BOARD

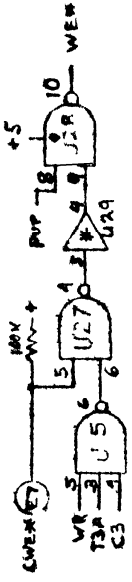
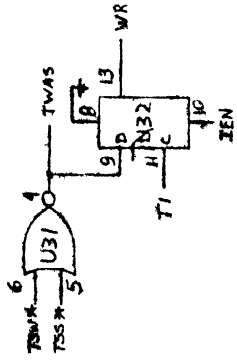
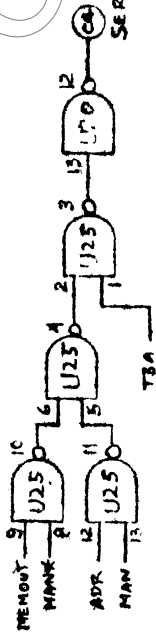
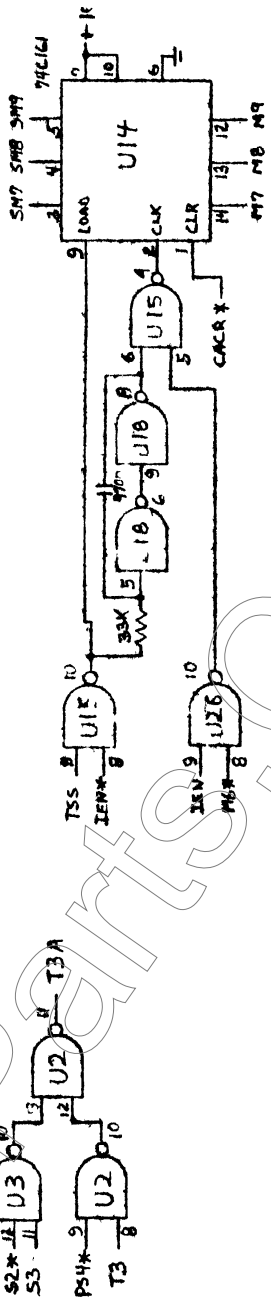
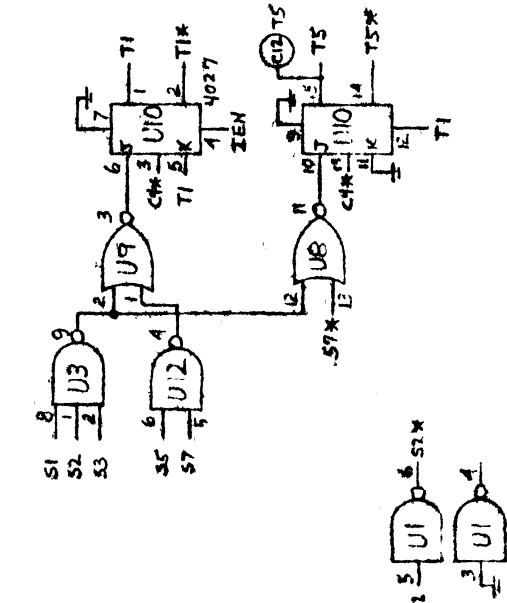
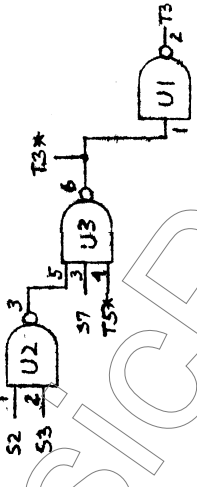
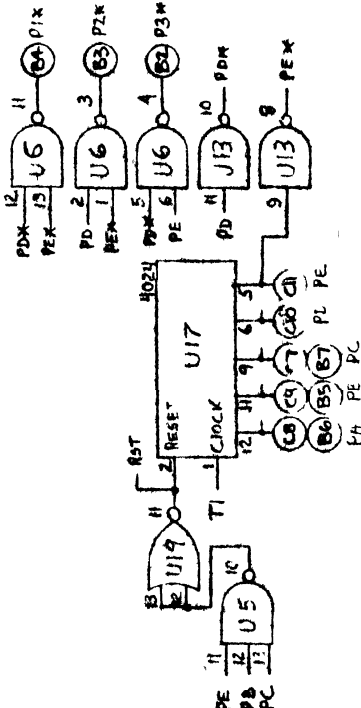
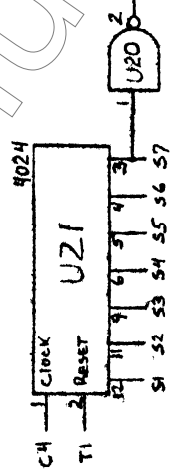
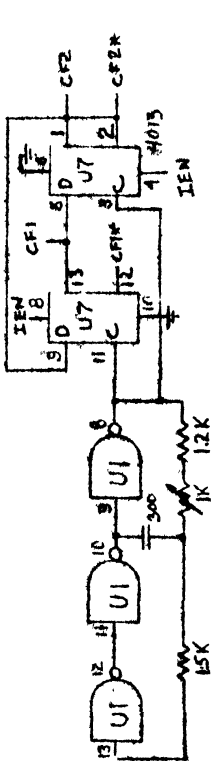
REVISED 12-4-78

1240

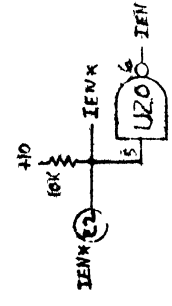
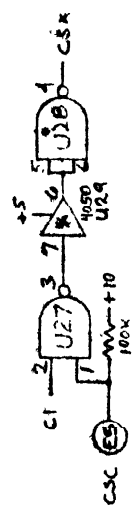
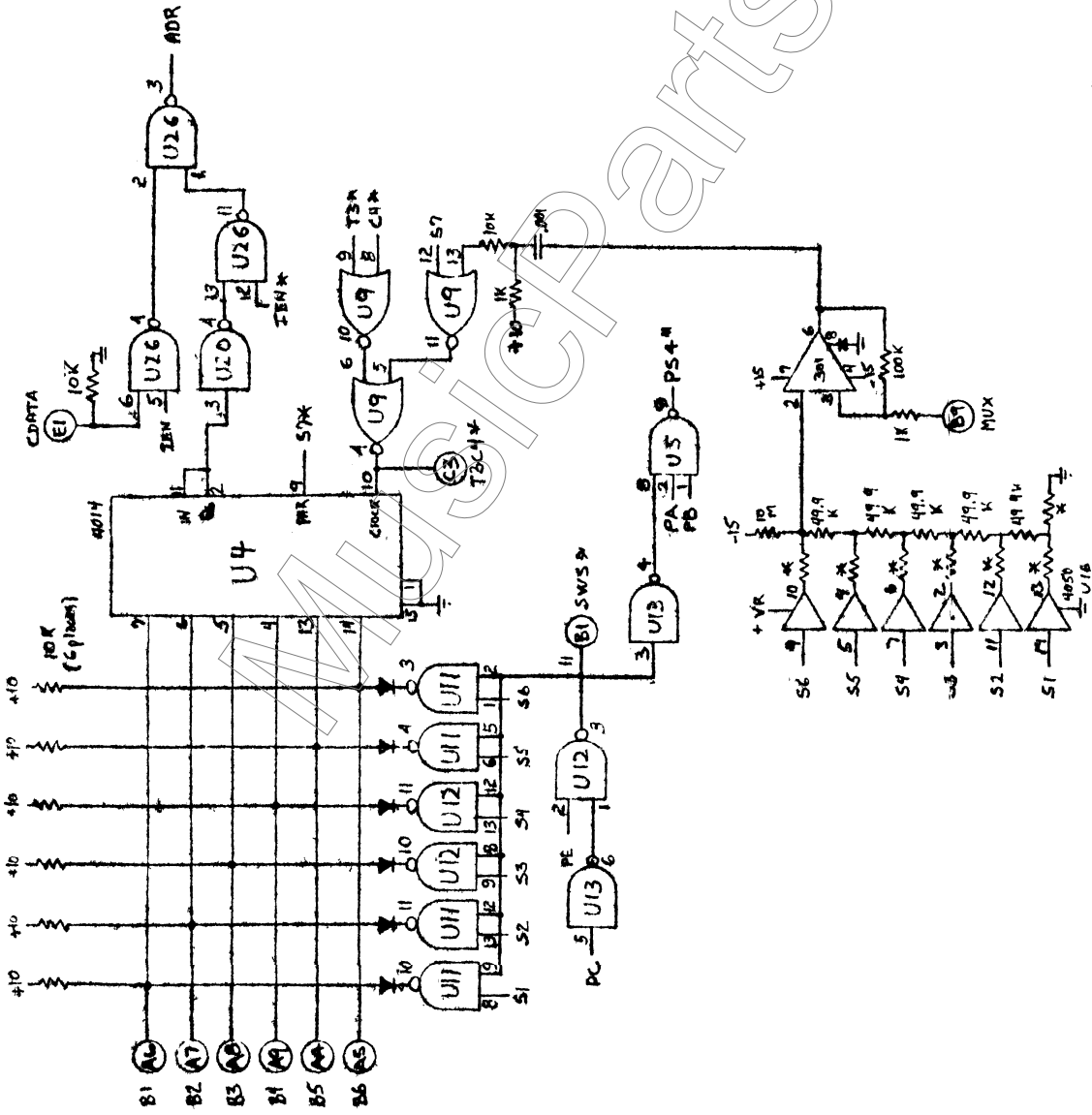


OBERHEIM ELECTRONICS, INC.  
 SCHEMATIC -  
 OB-1 POT BOARD  
 REV/5FF 10-31-77

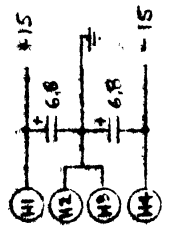
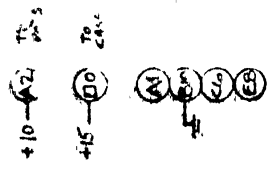


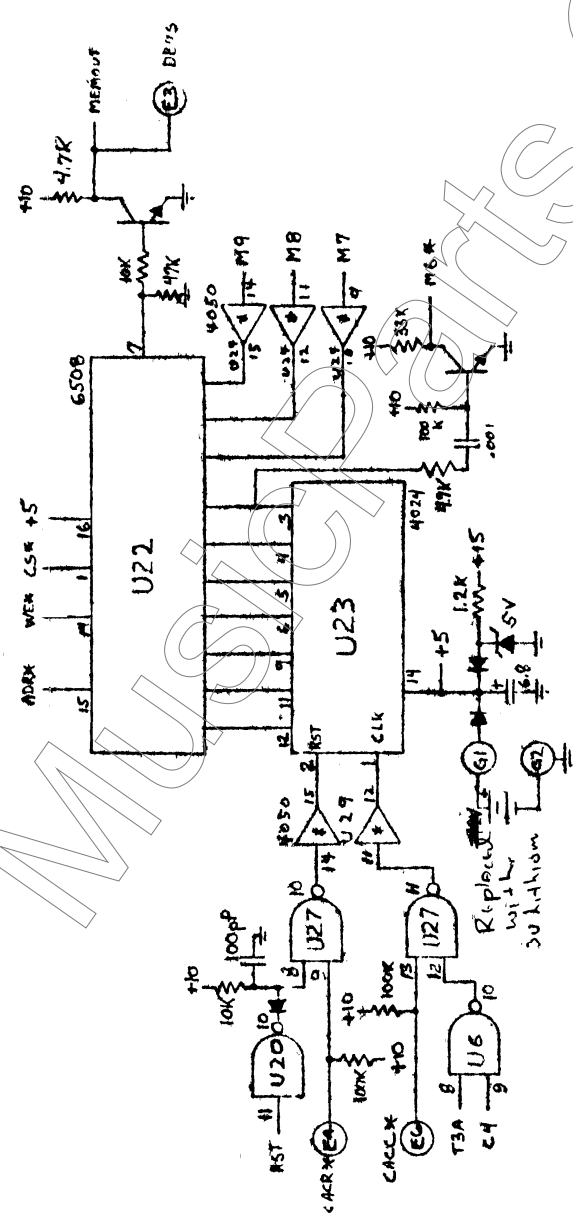
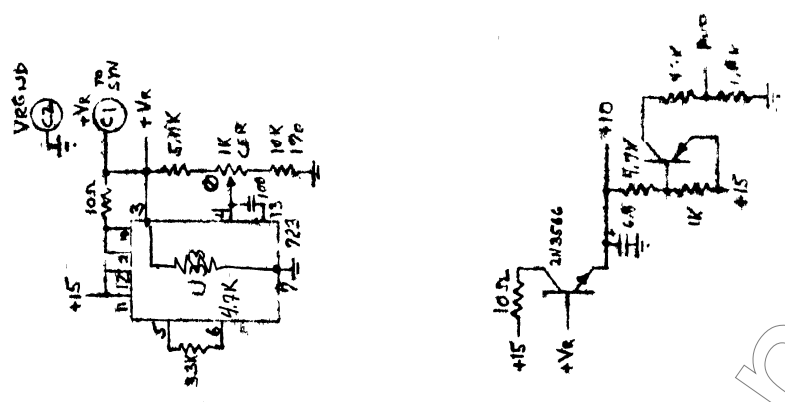


CREDITING ELECTRONICS LTD  
 SCHIEFFELING  
 OR-1  
 PROGRAMMER + TOUCH  
 REVISED 9-28-78

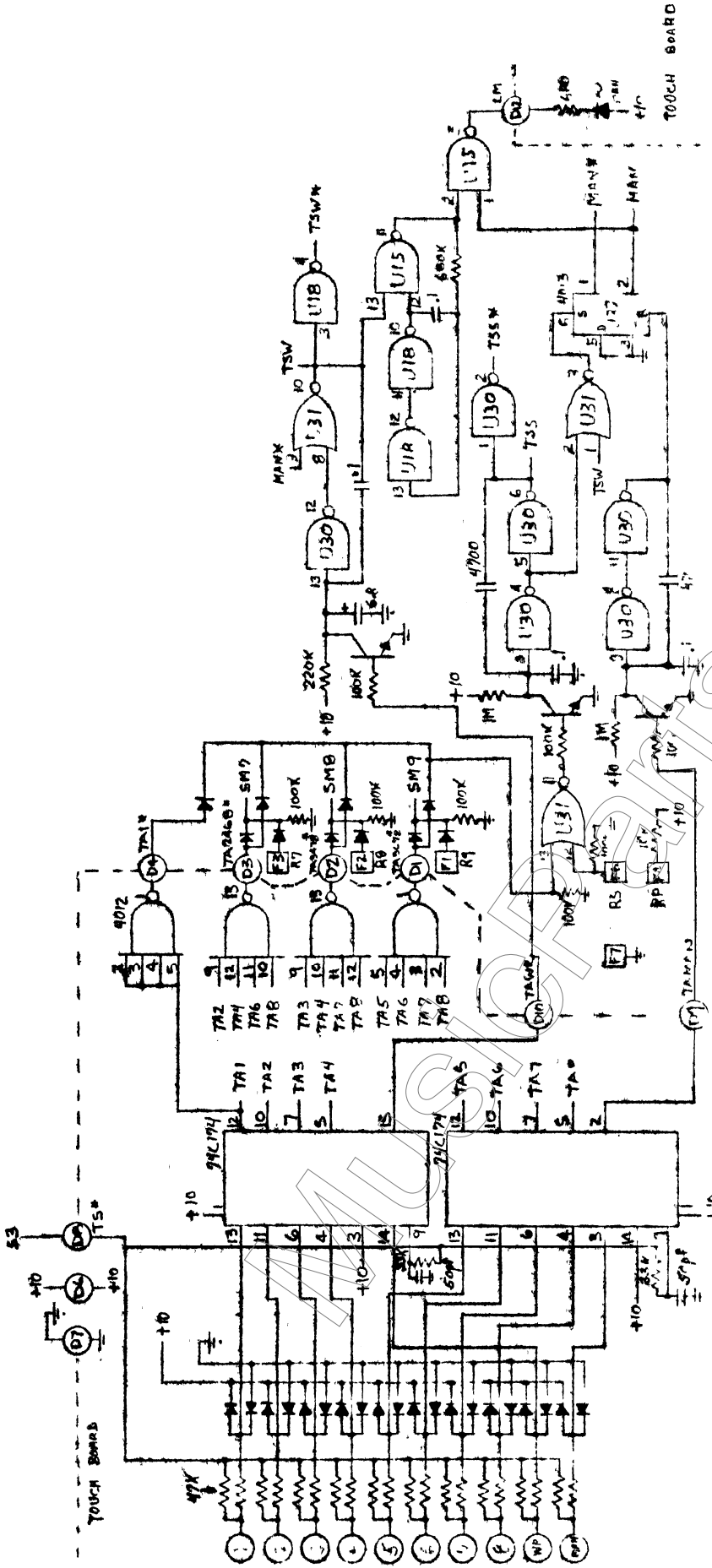


CREATED BY ELEPHANT  
 SCHEMATIC  
 OR-1  
 PROGRAMMER + TOUCH  
 REVISED 9-22-98

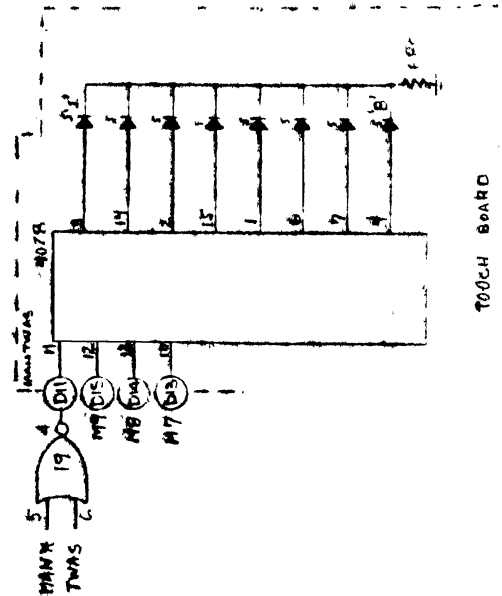




CREDENTIA ELECTRONICS INC  
 SCHENECTADY, NY  
 OR-1  
 PROGRAMMER + TOUCH  
 REVISED 9-22-98



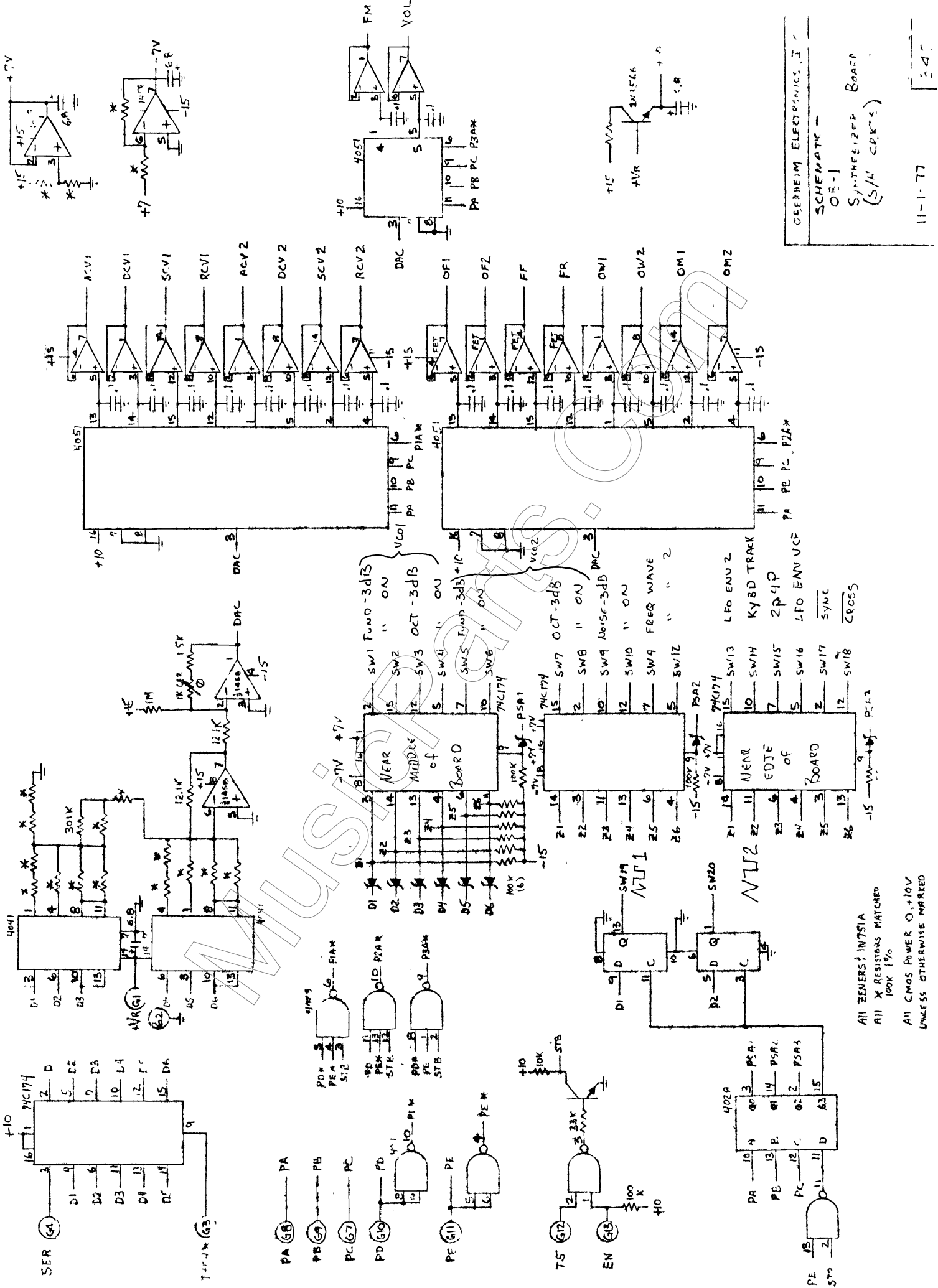
TOUCH PADES



TOUCH BOARD

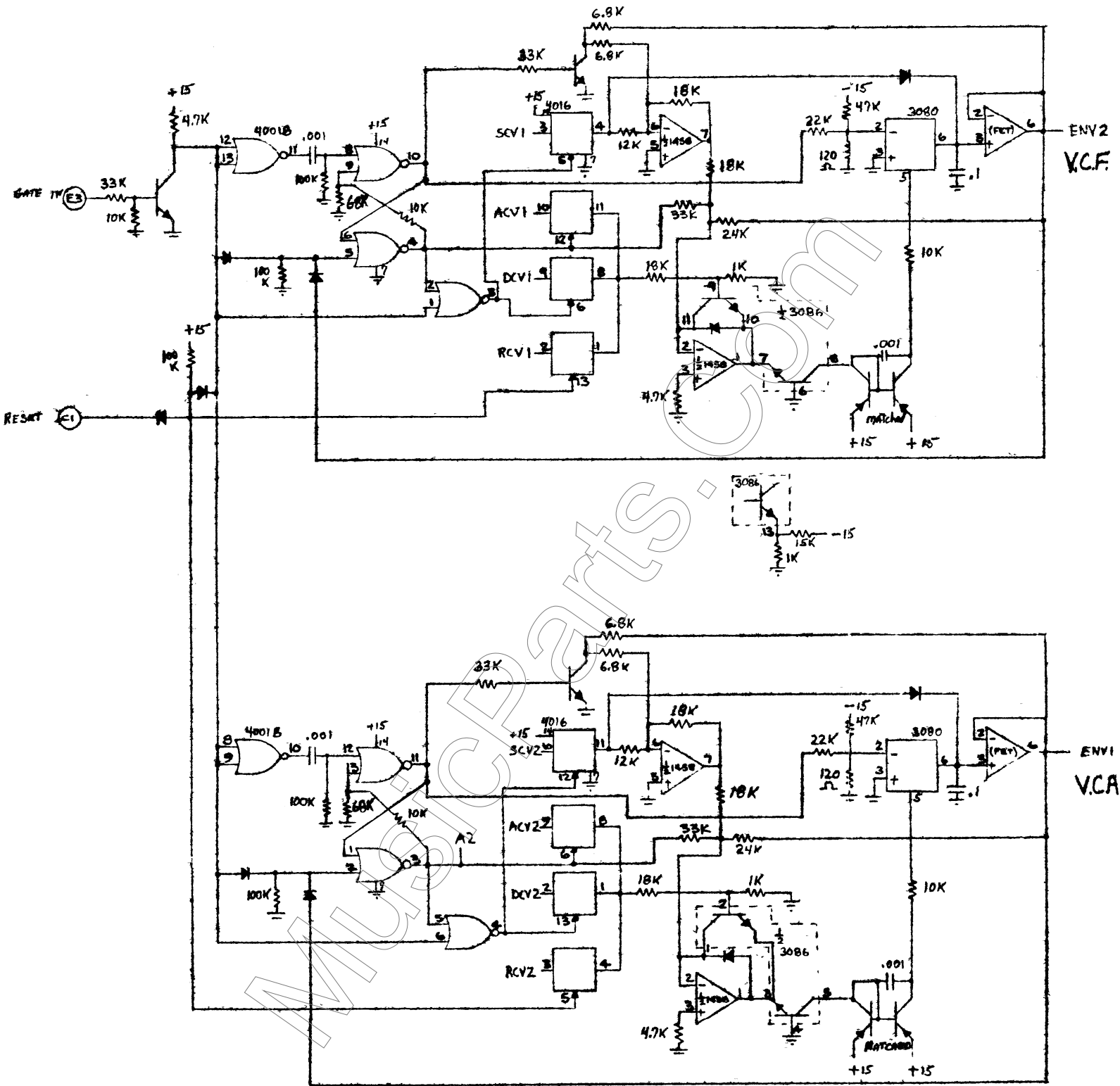
CREDIT'EM ELECTRONICS INC.  
 SCHIEFFELIN, ILL.  
 OR-1  
 PROGRAMMER + TOUCH  
 REVISED 9-22-78

TOUCH BOARD



GERHEIM ELECTRONICS, J  
 SCHEMATIC -  
 OE-1  
 SYNTHESIZER BOARD  
 (S/H CLK'S)  
 11-1-77

ALL ZENERS IN 75A  
 ALL X RESISTORS MATCHED  
 100K 1%  
 ALL CMOS POWER 0,+10V  
 UNLESS OTHERWISE MARKED



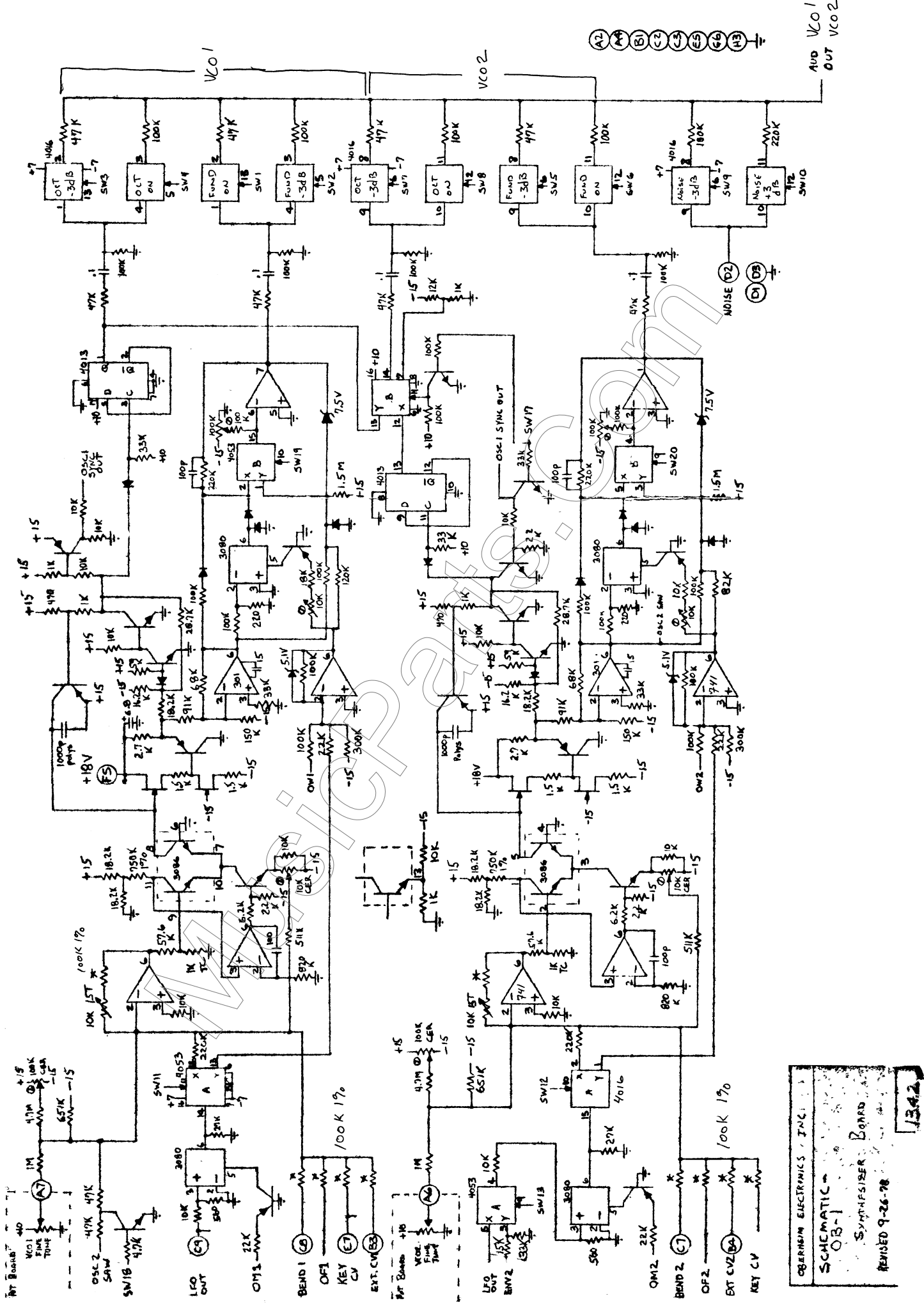
Notes:

4001 must be buffered

Resistor values update 12-11-78

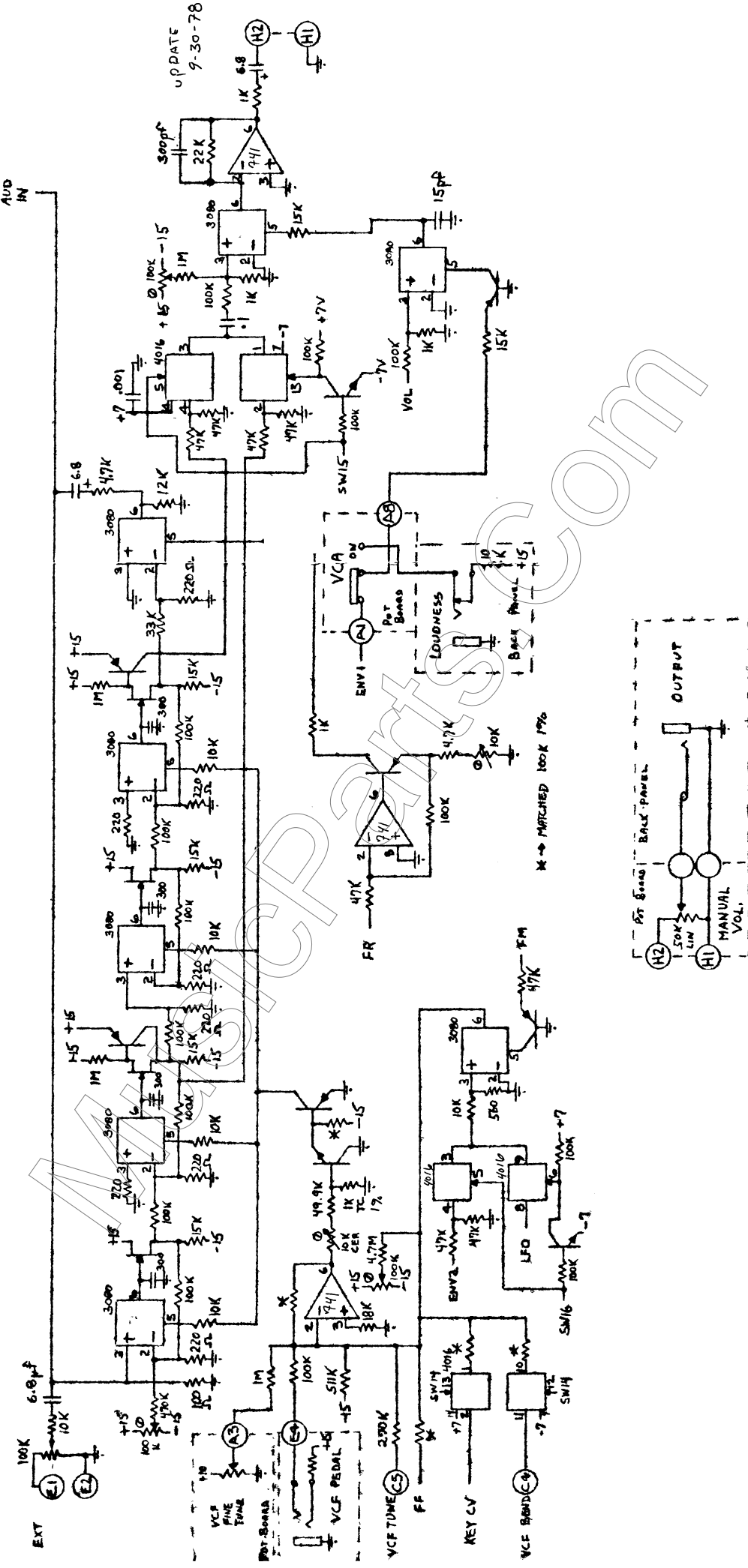
OBERHEIM ELECTRONICS, INC  
 SCHEMATIC -  
 ,08-1  
 SYNTHESIZER BOARD  
 (VCF's)  
 #38-78  
 REVISED 9-28-78

1342

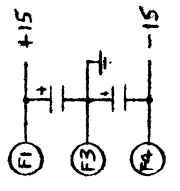
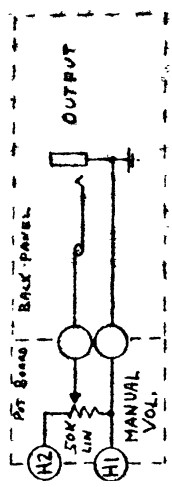


GERBER ELECTRONICS, INC.  
 SCHEMATIC  
 OB-1  
 SYNTHESIZER BOARD  
 REVISED 9-26-78  
 1342

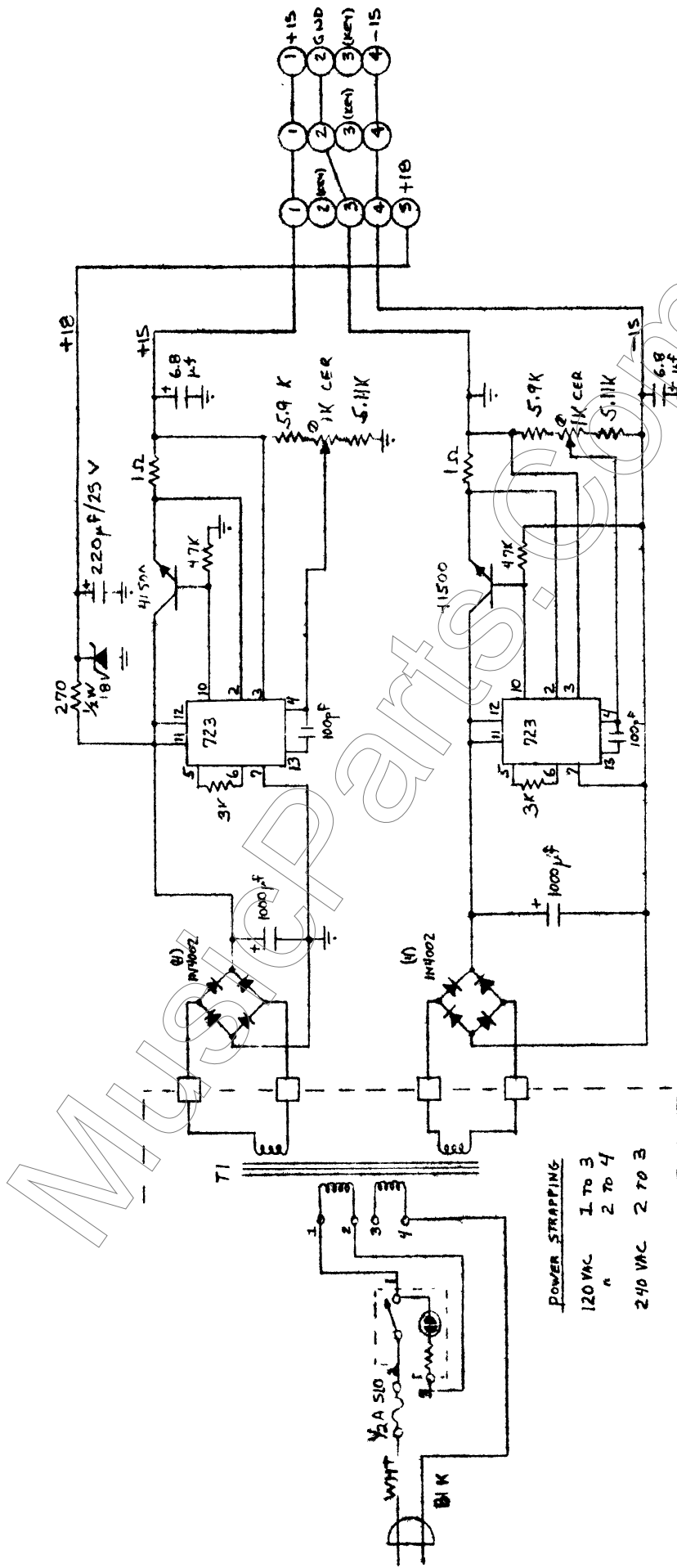
VCO1  
VCO2  
AUD  
IN



OBERHEIM ELECTRONICS, INC.  
SCHEMATIC  
OB-1  
SYNTHESIZER BOARD  
REVISED 9-26-78  
1342







POWER STRAPPING  
 120 VAC 1 TO 3  
 " 2 TO 4  
 240 VAC 2 TO 3

OBERHEIM ELECTRONICS, INC.  
 SCHEMATIC -  
 OB-1  
 POWER SUPPLY  
 SEPT 28 1977  
 REV 3-27-78  
 1342

# OB-1

1st TEST "0" Pitch BEND ZERO  
Measure Pin 8 of 324  
Adj. zero for  $0.00v \pm 0.01v$

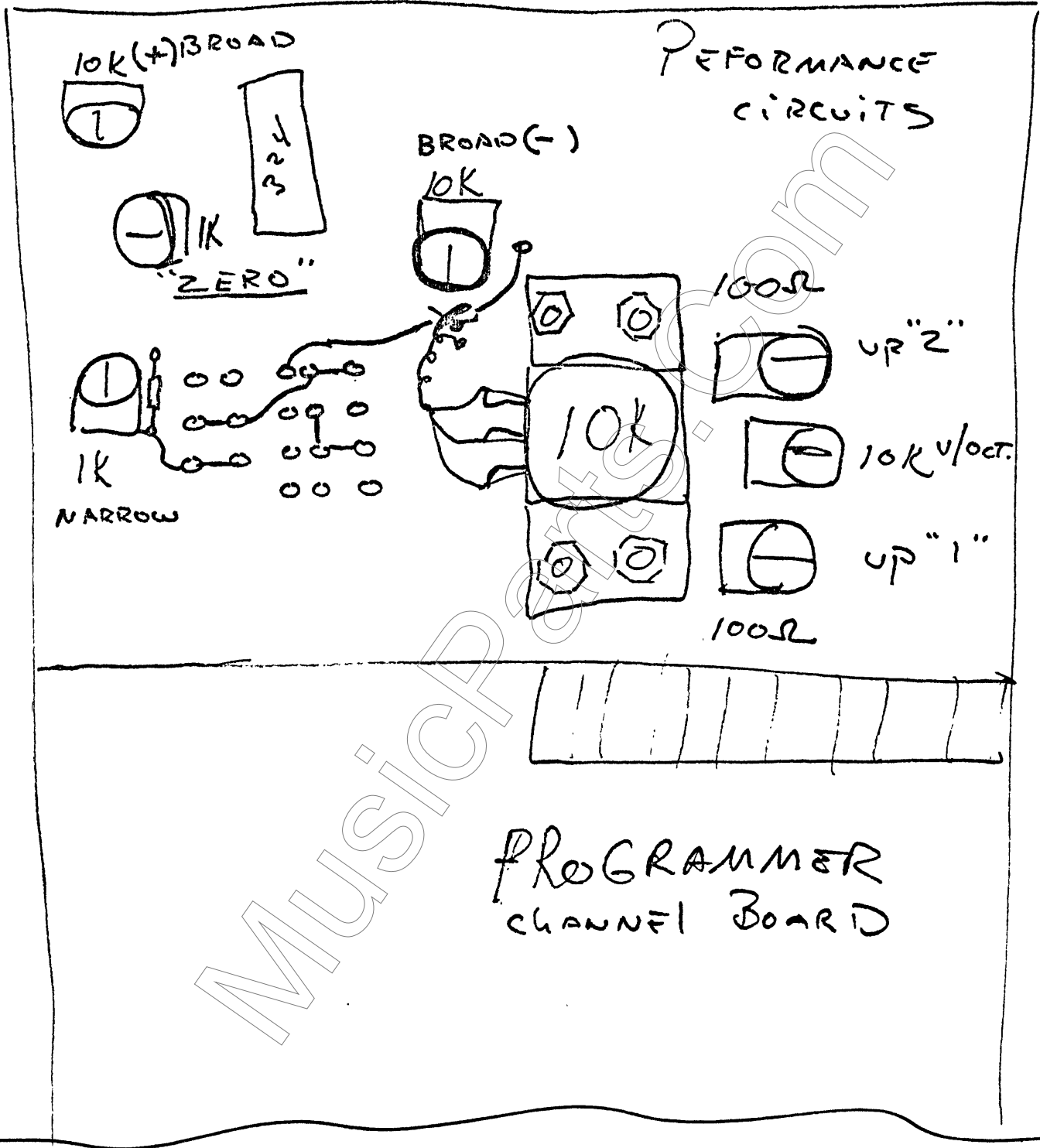
2ND TEST "+" BROAD ADJUSTMENT  
(Switch Broad on) MEASURE C7 ON SYN. BOARD WHITE  
Pitch Bend is down. ADJUST "BROAD"  
FOR  $1.000 \text{ VOLTS} \pm 0.003$

3RD TEST "(-) BROAD ADJ. AS SAME AS  
ABOVE TEST EXCEPT Pitch BEND is up.

4th TEST "NARROW" ADJ. Switch to NARROW  
Position. ADJ. for  $0.166$  with Pitch  
Bend up  $\pm 0.001$

5th TEST "E" CONNECTOR Pin 7 KyBD. C.U.  
1st Low "C" for VOLTAGE READING then  
up 3 Oct. TRANSPOSE switch in Down Pos.  
 $0.001 \pm$

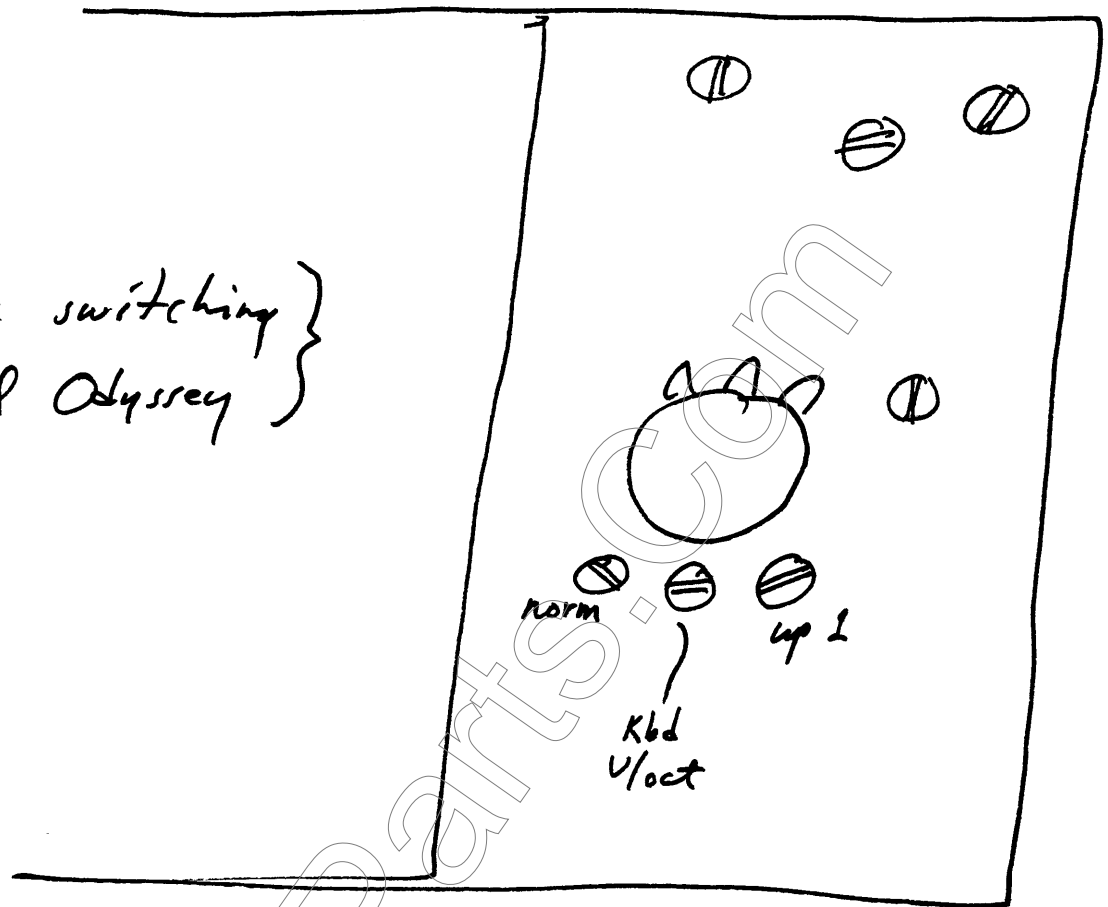
# OB-1



OB-1

FRONT  
→

{ kbd octave switching }  
is like old Odyssey



- ① Set  $\pm 15 V$  power supplies
- ② set kbd to  $V/oct$  (3.000 V across whole kbd.)  
top of keyboard to gnd: switch in "down 1"
- ③ switch to "norm": trim for 4.000
- ④ switch to "up 1": trim for 5.000

This is a good time to tune VCO's:

"Manual" program, VCO tune ctrl. full CCW

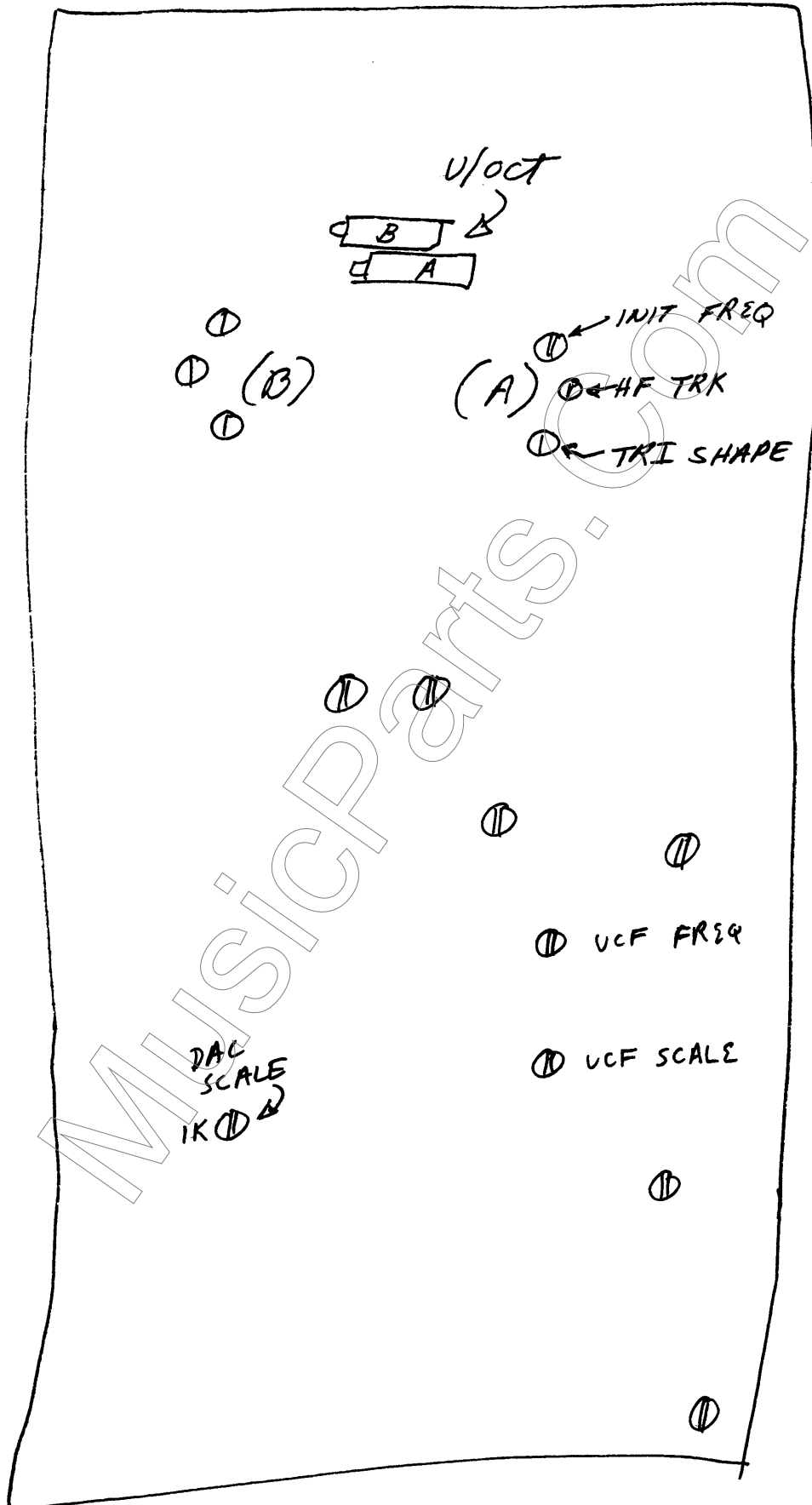
"down 1", bend centered, all modulations off

Tune VCO's to track kbd using INIT & V/oct

OB-1

VOICE BD

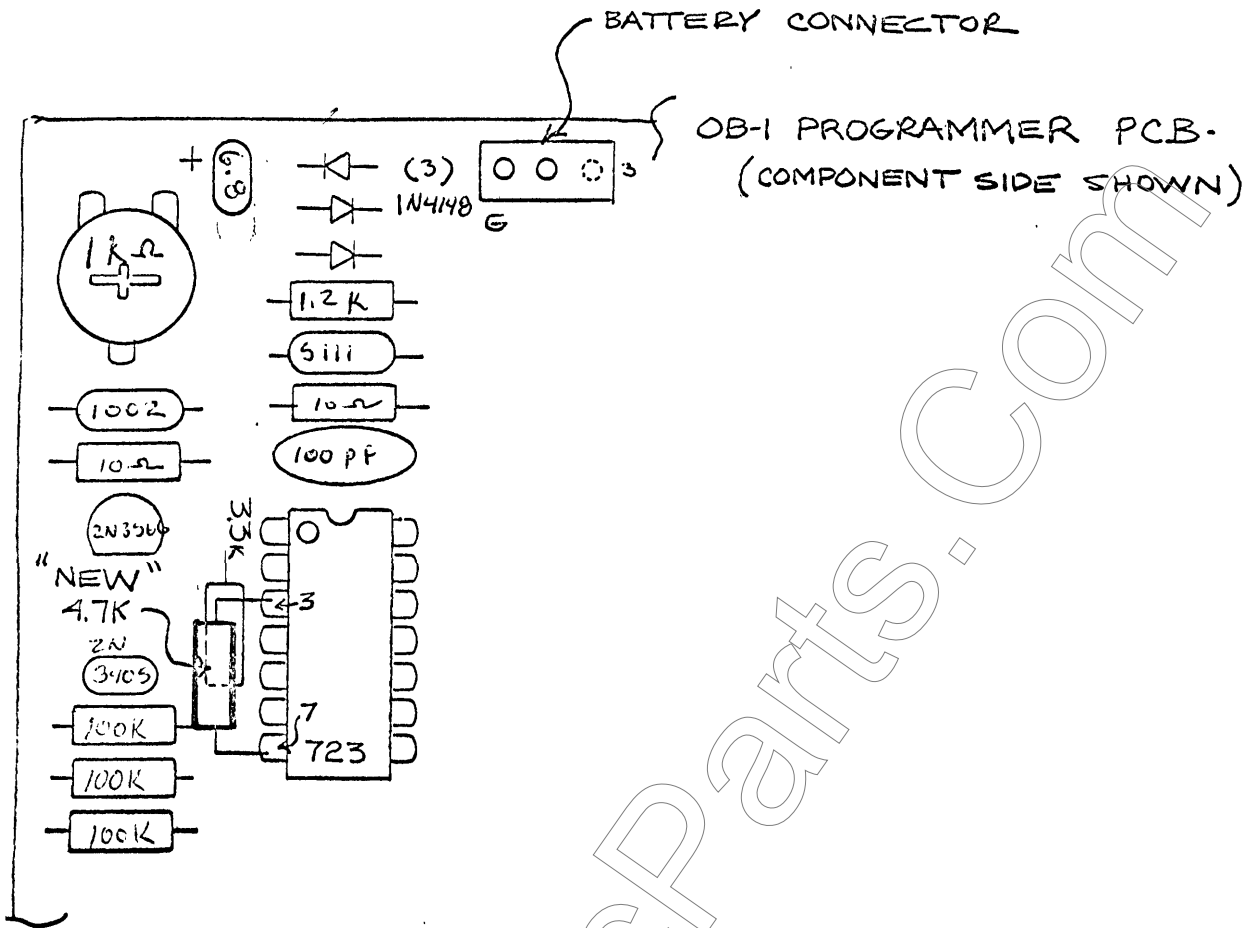
FRONT  
→



OB-1

After kbd & VCO's are set up, DAC scale must be set. Using one tuned VCO: pin 10-C; rotate tune until full CW. Trim DAC SCALE for good octave (5 octaves higher). Back off tune to 3 octaves up & trim for perfect. Check all octaves: if any are way out, DAC may be bad (if error is flattening high, then probably just VCO's #F TRK).

MusicParts.com



BOARD N<sup>o</sup> 1310

TO PREVENT LOW FREQUENCY  
OSCILLATION OF POWER SUPPLY,  
ADD A 4.7K 1/4W RESISTOR  
AS SHOWN AT PINS 3 & 7 OF  
THE REGULATOR IC [ #33 (LM-723) ]  
ReAdjust 11.020 ✓