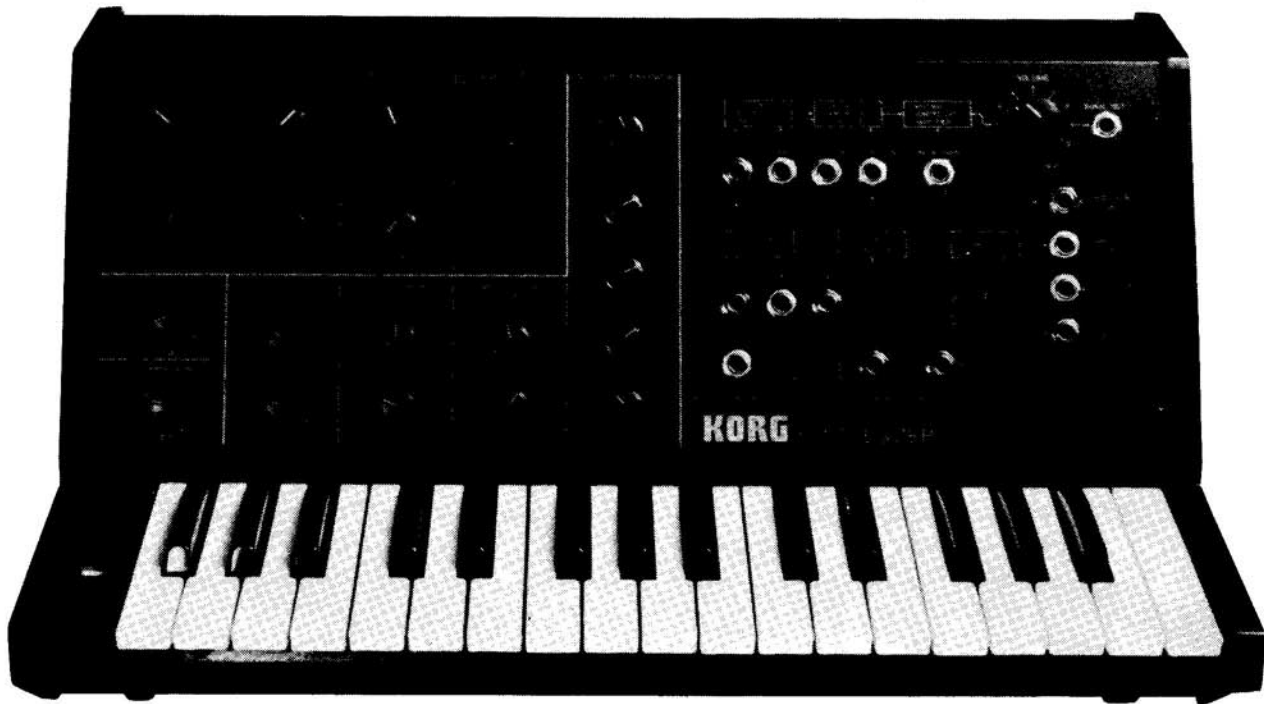


KORG



MONOPHONIC SYNTHESIZER
SERVICE MANUAL **MS-10**

CONTENTS

1. SPECIFICATIONS.....	2
2. STRUCTURAL DIAGRAM.....	3
3. CIRCUIT DIAGRAM	4
4. PRINTED CIRCUIT BOARD KLM-126B.....	5
5. PARTS LIST (Mechanical parts not listed)	6
6. BLOCK DIAGRAM	7
7. ADJUSTMENT PROCEDURE	8

KEIO ELECTRONIC LABORATORY CORPORATION
TOKYO/JAPAN

1. SPECIFICATIONS

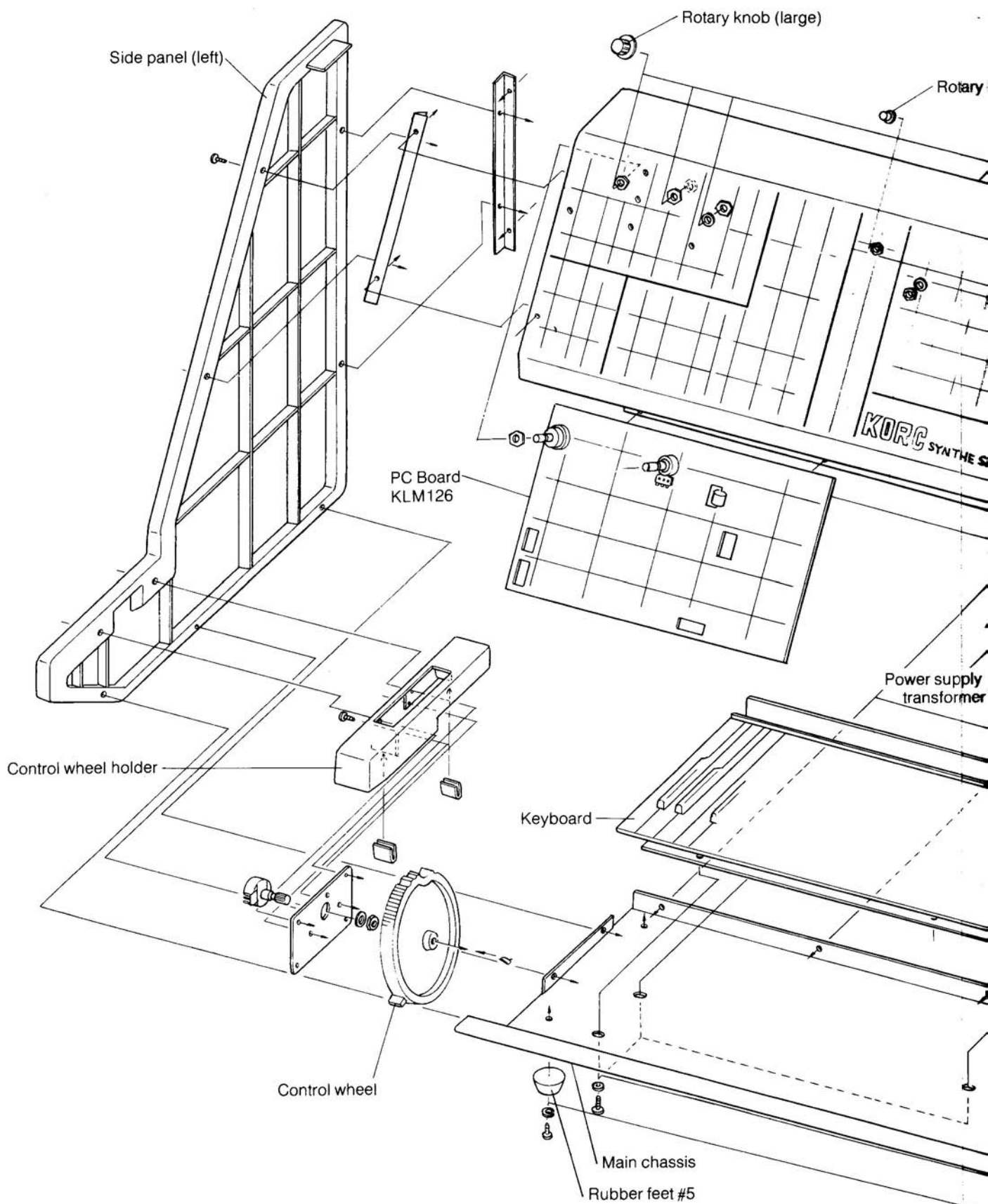
< CONTROL SECTION >

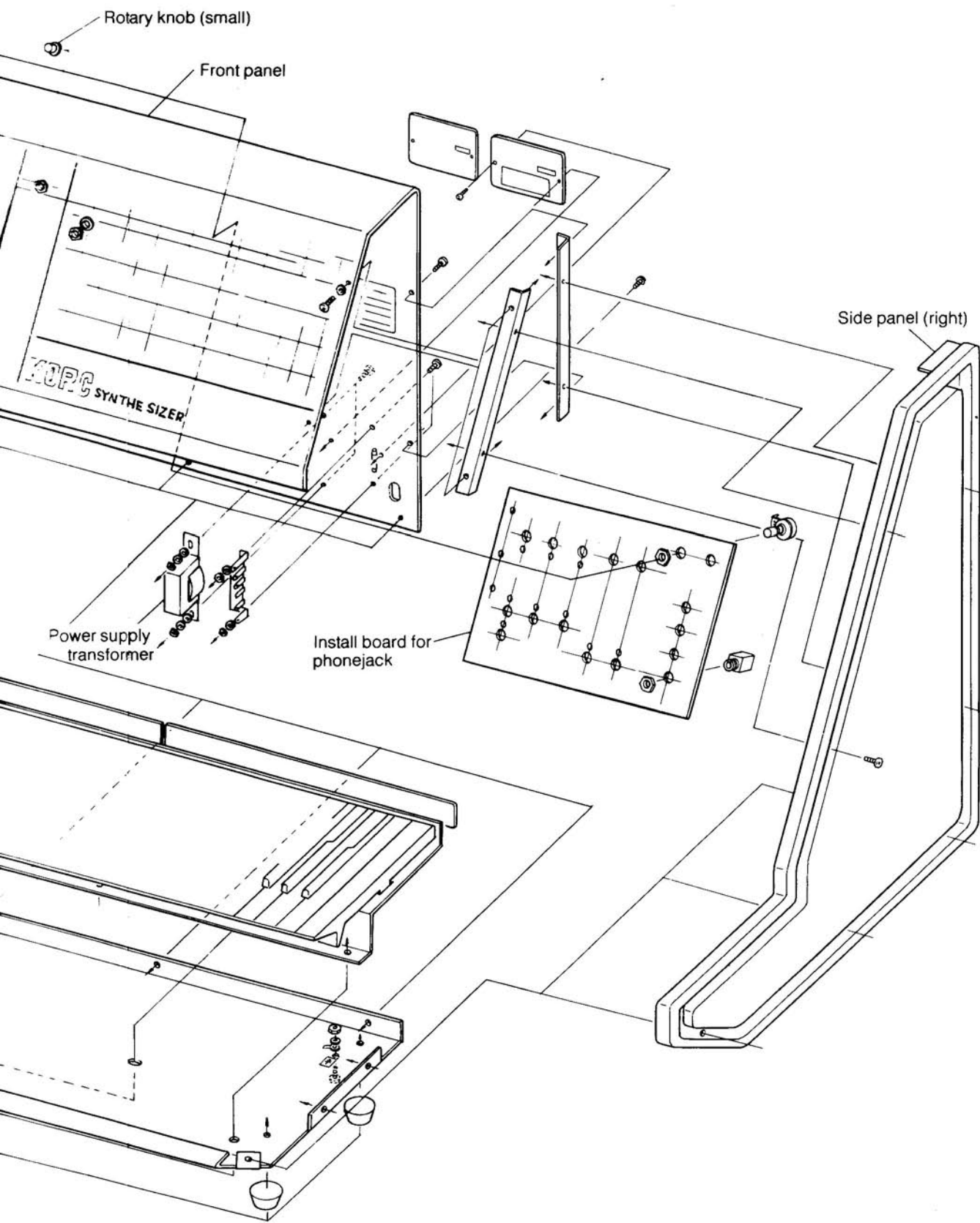
1. Keyboard *F~C 32 Keys/(2-2/3 octaves)
2. Voltage controlled oscillator *Scales [32', 16', 8', 4',]/ + 6 octaves (FM)
*Wave form [∧,∨,∩, PW/PWM, Noise]/(4 modes)
*PW adjust/PWM intensity
*Pitch [1 OCTAVE OR MORE]
*portamento
*Frequency modulation intensity by MG
*Frequency modulation intensity by EG/EXT
3. Voltage controlled low pass filter *Cut-off frequency
*Peak [flat ~ self OSC]
*Cut-off frequency modulation intensity by MG
*Cut-off frequency modulation intensity by EG/EXT
4. Envelope generator *Hold time
*Attack time
*Decay time
*Sustain level
*Release time
5. Modulation generator *Wave form ∩-∧-∩ ∟∟-∟∟-∟∟ CONTINUALLY
*Frequency
6. External input *Signal level adjust
7. Manual controller *Control wheel CENTER CLICK STOP
8. Power, SW Ä volume *Volume

< PATCH PANEL SECTION >

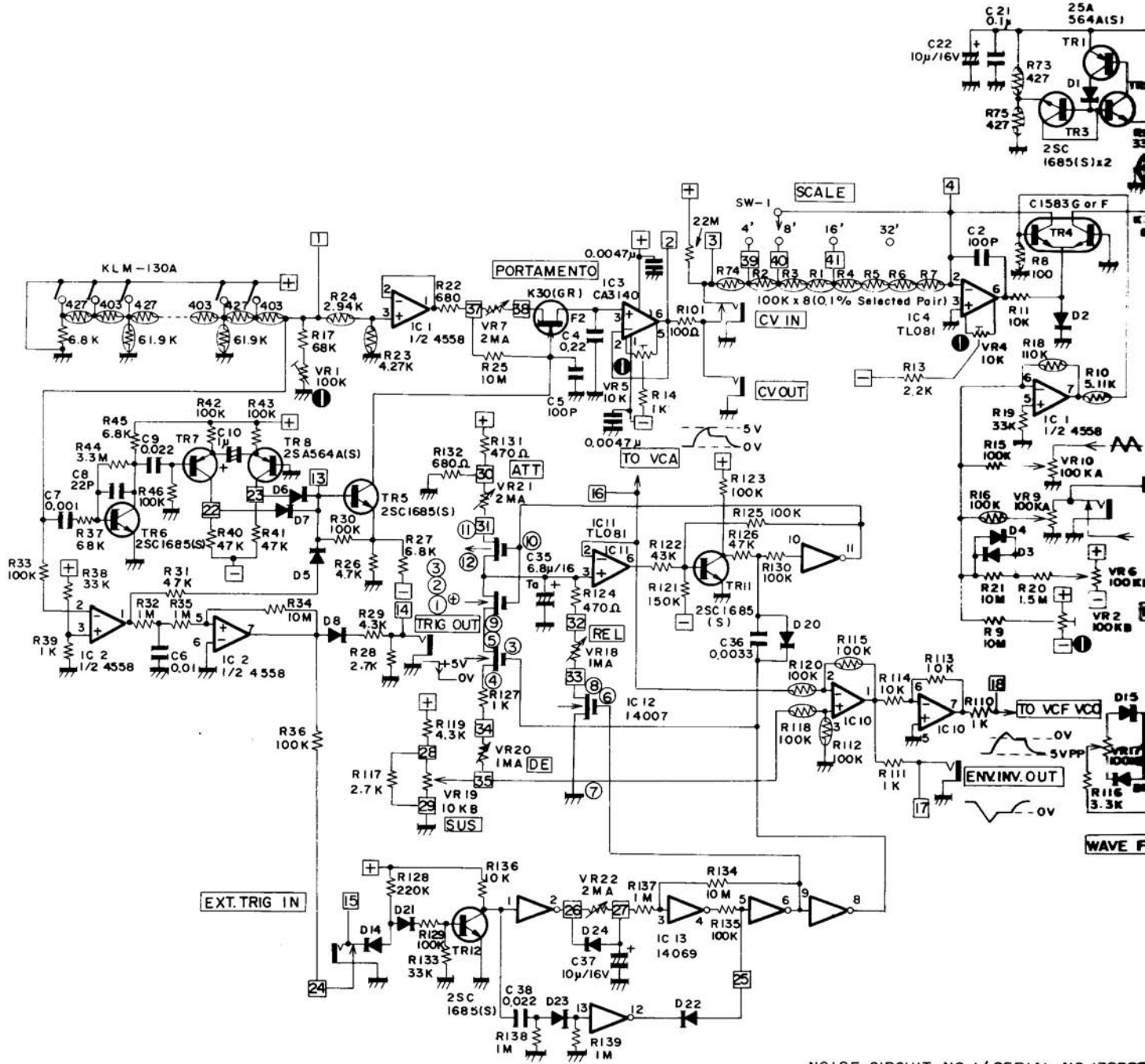
1. Keyboard *Keyboard control voltage output (exponential)/0V ~ + 8V
*Keyboard trigger output/⏏_{GND}
 2. VCO *VCO control voltage input (linear response)/0V ~ + 8V
*External frequency control input (OCT/V)/ -3V ~ + 3V
*External pulse width modulation input/ -5V ~ + 5V
 3. VCF *External signal input/3VPP max.
*External cut-off frequency control input (20CT/V)/ -5V ~ + 5V
 4. VCA *Initial gain control input/0V ~ + 5V
 5. EG *External trigger input/⏏_{GND}
*Envelope signal reverse output/ -5V ~ + 5V
 6. MG *Triangle output (∩-∧-∩)/ 5VPP
*Rectangle output (∟∟-∟∟-∟∟) /0↔ + 5V
 7. Noise generator *Pink noise output/5VPP
*White noise output/5VPP
 8. Manual controller *Control wheel output/ -5V ~ 0V ~ + 5V
 9. Signal out *Signal output/2VPP max. (output impedance 3.5kΩ)
 10. Power consumption *5 Watts
- *Dimension *499(W) x 309(D) x 249(H) mm
*Weight *6.3 kgs
*Accessories *Patch cord/35 cm x 1

2. STRUCTURAL DIAGRAM



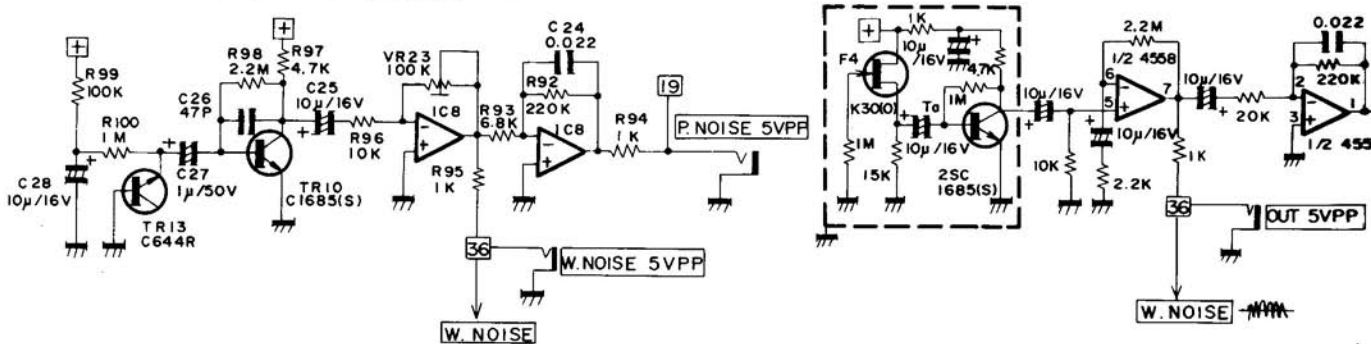


3. CIRCUIT DIAGRAM

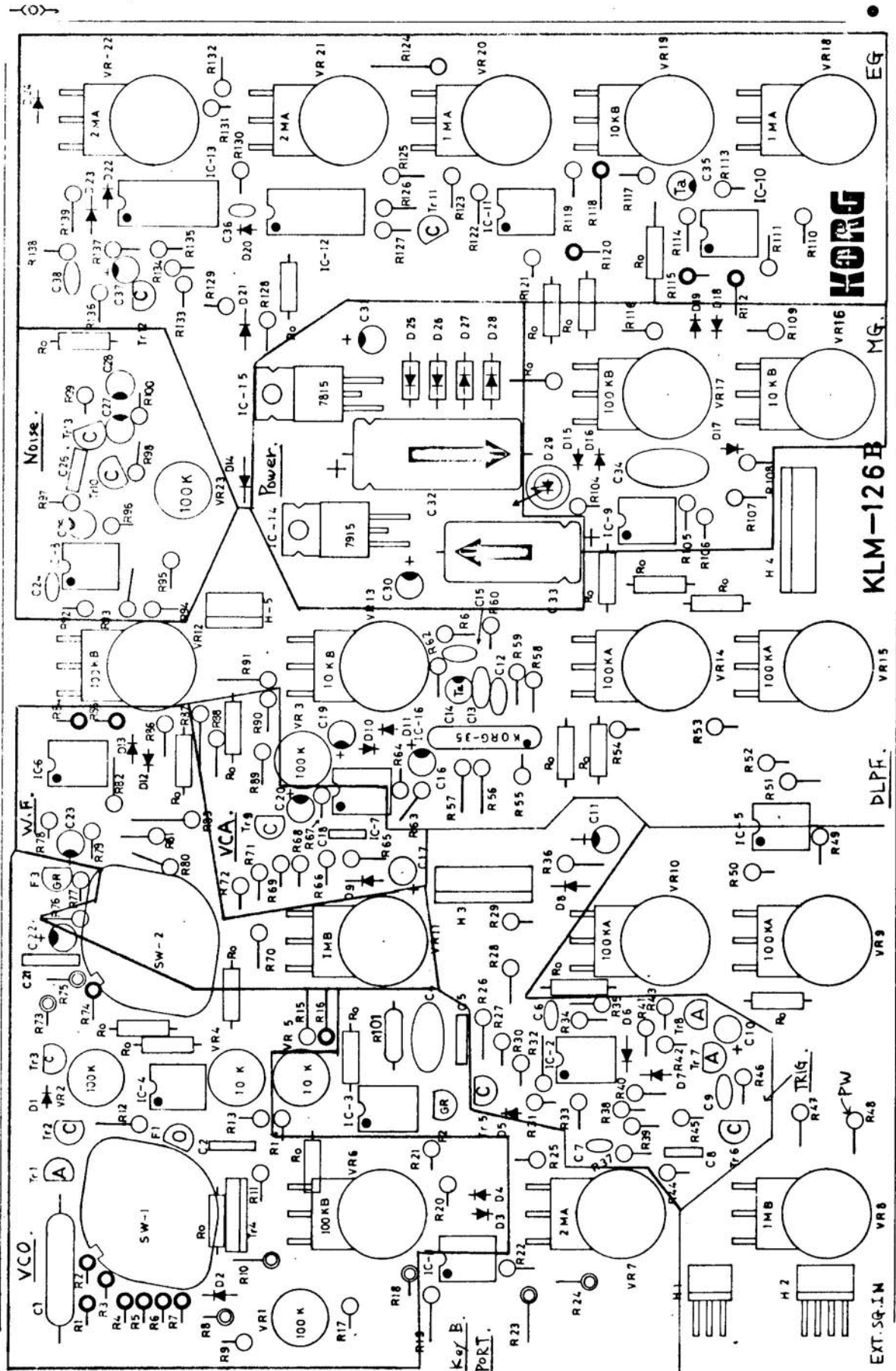


NOISE CIRCUIT NO.2 (SERIAL NO.132828 ~)

NOISE CIRCUIT NO.1 (SERIAL NO.130000 ~)



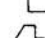




4. PRINTED CIRCUIT BOARD KLM-126B

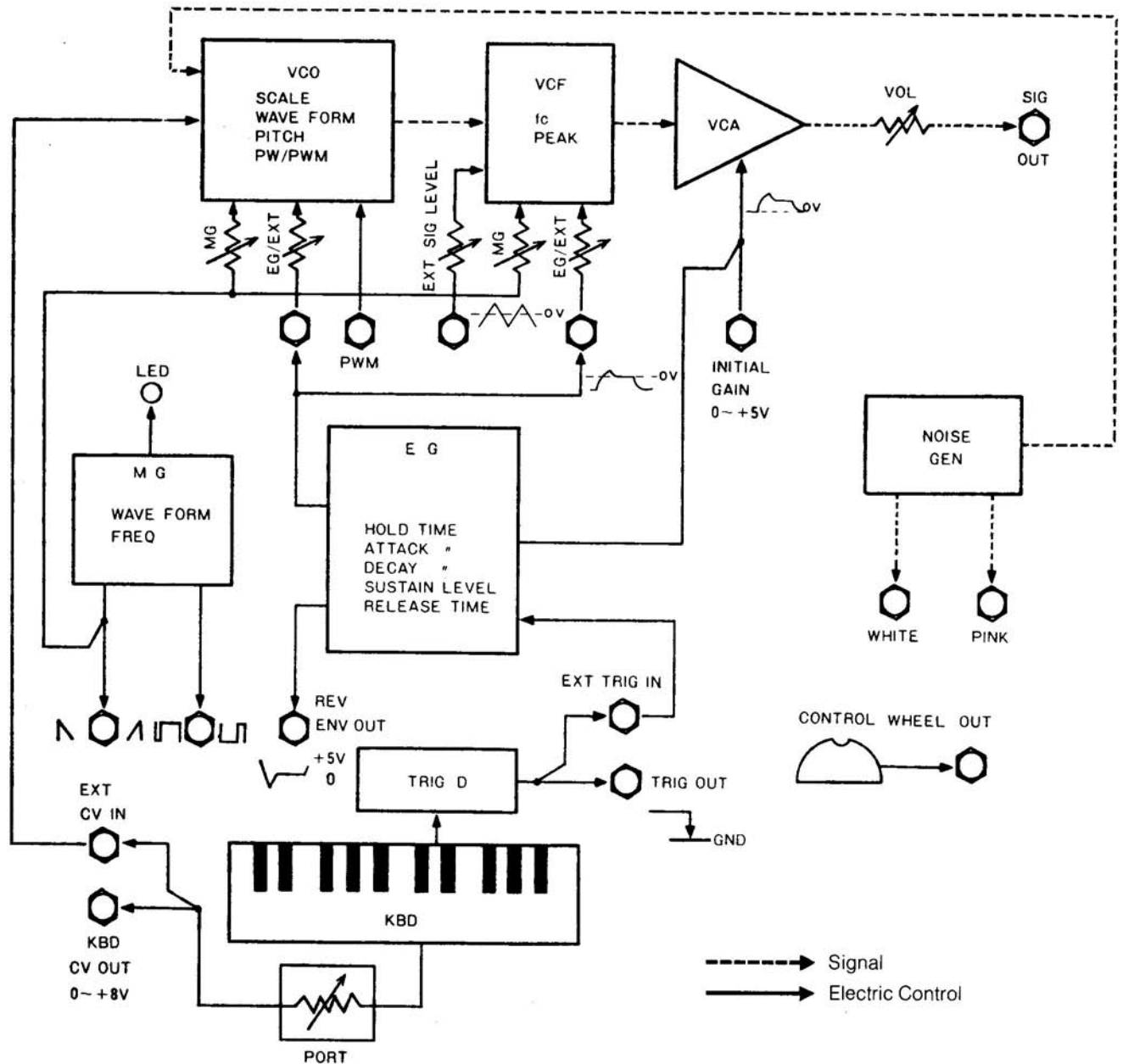


5. PARTS LIST

(Mechanical parts not listed)

<p>● CARBON RESISTORS not listed</p> <p>● METAL FILM RESISTORS</p> <p>1/4W-100Ω x 1</p> <p>1/4W-403Ω x 16</p> <p>1/4W-427Ω x 16</p> <p>1/4W-2.94kΩ x 1</p> <p>1/4W-4.27kΩ x 1</p> <p>1/4W-5.11kΩ x 1</p> <p>1/4W-61.9kΩ x 15</p> <p>1/4W-100kΩ x 15</p> <p>1/4W-110kΩ x 1</p> <p>● MYLAR CAPACITORS</p> <p>50V-0.001μF x 3</p> <p>50V-0.0033μF x 2</p> <p>50V-0.01μF x 1</p> <p>50V-0.022μF x 3</p> <p>● TANTALUM CAPACITORS</p> <p>16V-6.8μF x 1</p> <p>16V-10μF x 1</p> <p>● CERAMIC CAPACITORS</p> <p>25V-0.1μF x 1</p> <p>50V-22pF x 1</p> <p>50V-47pF x 1</p> <p>50V-100pF x 3</p> <p>50V-560pF x 1</p> <p>● ELECTROLYTIC CAPACITORS</p> <p>16V-10μF x 10</p> <p>16V-33μF x 1</p> <p>50V-1.0μF x 2</p> <p>50V-470μF x 1</p>	<p>● POLYPROPYLENE CAPACITORS</p> <p>200V-0.22μF x 1</p> <p>● POLYSTYRENE CAPACITORS</p> <p>50V-6200pF x 1</p> <p>● POLYESTER CAPACITORS</p> <p>100V-1μF x 1</p> <p>● TRANSISTORS</p> <p>2SA-564A(S) x 3</p> <p>2SC-644(R) x 1</p> <p>2SC-945(L)K x 1</p> <p>(special selected)</p> <p>2SC-1583G x 1</p> <p>2SC-1685S x 7</p> <p>● FET</p> <p>2SA-30A(O) x 1</p> <p>2SA-30A(RG) x 2</p> <p>● DIODES</p> <p>1S-1555 x 24</p> <p>1S-1885 x 4</p> <p>● LED</p> <p>GD-4-203RD x 1</p> <p>● IC</p> <p>KORG35 x 1</p> <p>MC14007 x 1</p> <p>μPC4558 x 8</p> <p>μA7815 x 1</p> <p>CA3140 x 1</p> <p>TL081(071) x 2</p> <p>μA7915 x 1</p> <p>MC14069B x 1</p> <p>● SEMI-FIXED RESISTORS</p> <p>SR19DS 10kΩ x 2</p> <p>SR19DS 100kΩ x 4</p>	<p>● ROTARY VARIABLE RESISTORS</p> <p>EVH-5LA802B15 x 3</p> <p>EVH-5LA802B14 x 3</p> <p>EVH-5LA802A15 x 4</p> <p>EVH-5LA802A16 x 2</p> <p>EVH-5LA802B16 x 2</p> <p>EVH-5LA802A26 x 3</p> <p>EVC-BQ5P18B14 x 1</p> <p>RJAP20B14 x 1</p> <p>● ROTARY SWITCH</p> <p>SRM-103420P x 2</p> <p>● KEY</p> <p>F-E 32 key x 1</p> <p>● CONNECTORS</p> <p> BE4P-SHF-1 x 1</p> <p> BE7P-SHF-1 x 1</p> <p> BE9P-SHF-1 x 1</p> <p> BS3P-SHF-1 x 1</p> <p> BS4P-SHF-1 x 1</p> <p>Female Connectors</p> <p>3P MS-1002 x 1</p> <p>4P MS-1003 x 1</p> <p>4P MS-1004 x 1</p> <p>7P MS-1005 x 1</p> <p>9P MS-1006 x 1</p> <p>MLR-03TRC-1 x 1</p> <p>MLR-03TRC-150 x 1</p> <p>● PHONE JACKS</p> <p>2P SG-7501 x 11</p> <p>2P SG-7615 x 5</p> <p>● PC BOARD</p> <p>KLM-130A x 1</p> <p>KLM-126B x 1</p>
--	--	---

6. BLOCK DIAGRAM



7. ADJUSTMENT PROCEDURE

7-1 Power supply check

1. Positive ripple.

Should be no more than 2mVp-p.

Set oscilloscope vertical gain at 10mV/cm and check that power supply ripple is 2mV or less.

2. Negative ripple.

Same as positive, should be no more than 2mVp-p.

7-2 Pitch adjustment

1. VCO-1.

Perform adjustment with synthesizer controls at "normal setting" (Scale=8, Waveform= \square , Master Tune, Pitch, and all other knobs at "0"). See figure 1.

a. Play C-3 (high C) on the keyboard and adjust the high ① semi-fixed screw until you obtain the correct tuning as indicated by WT-10A (connected to the SIG OUT jack).

b. Play key C-1 and adjust the low ② semi-fixed screw.

c. Repeat steps a and b as many times as necessary until both are tuned to the correct pitch.

d. Check the tuning of C-1, C-2, and C-3 on the WT-10A meter to make sure pitch deviation is with ± 2 cents for each.

e. Change the scale to 32', 16', 8', and 4' and check the tuning of all four C keys to make sure that the pitch deviation of each is within ± 10 cents.

7-3 KBD CV adjustment

Use a 4-1/2 digital voltmeter to measure the KBD CV OUT signal.

a. Measure output voltage first when you play key C-3, then when you play key C-2. The output voltage for C-3 should be exactly half that for C-2. Adjust the KBD CV high ③ semi-fixed screw as necessary so that C-2 produces half the voltage of C-3.

b. Measure C-2 and then C-1 in the same way. Adjust the KBD CV low ④ semi-fixed screw as necessary so that C-2 produces exactly half the voltage of C-3.

c. Repeat steps a and b as many times as necessary until the output voltage of each of C-1, C-2, and C-3 is exactly half that of the next.

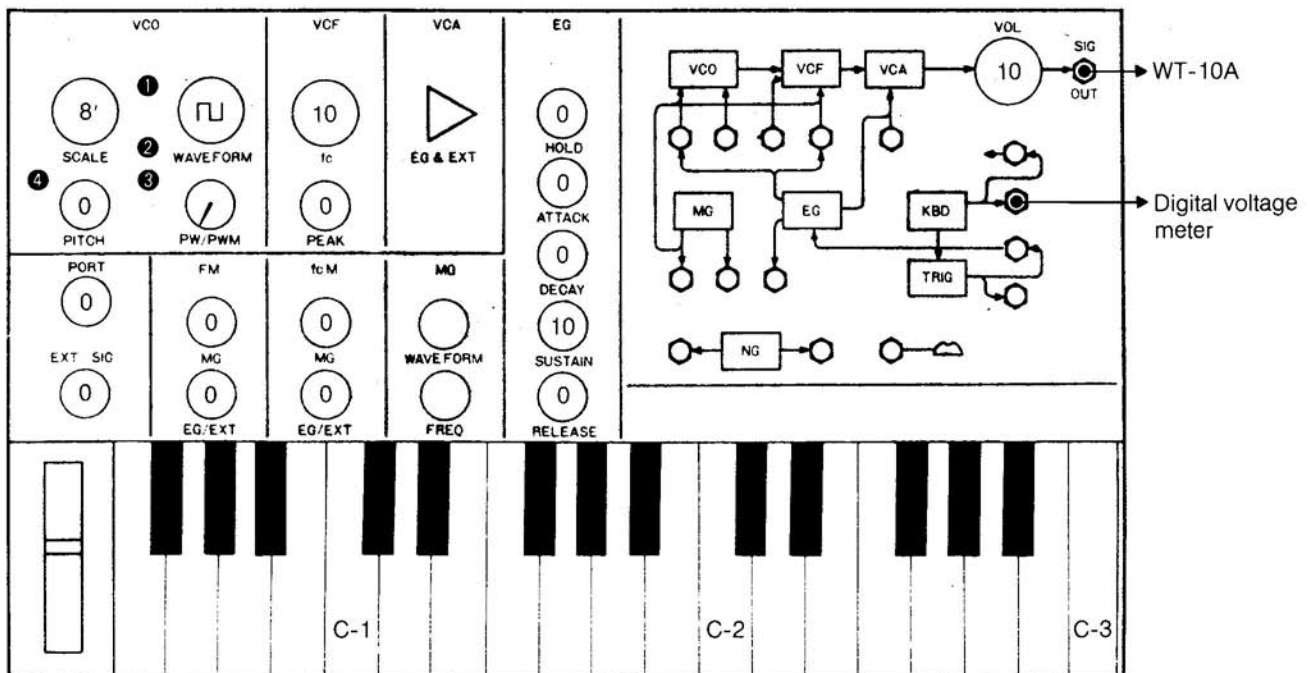


Fig. 1

