

MusicParts.Com

Technical Document Distribution

Brand:	Korg		
Model	900PS		
Product:	Keyboard		
Description:	Service Schematic	Dated:	none

Musicparts Document Number: 41612

TechTips: 0

Pages: 4

Hello,

Welcome to MusicParts.Com, Inc. your online resource for technical documents and service information. This PDF package may contain information, schematics, parts lists, images, engineering changes, previous versions, circuit descriptions, and many other unique features about the product you have chosen. This document was assembled from a variety of sources and is the result of our many years in the music repair business.

TECHTIPS: Unique to Musicparts documents are **TECHTIPS** located in critical areas on the schematics. They contain useful information about that area of the schematic such as common problems that we have found and recommended changes. Not all documents will have TechTips.

NOTE: Large original over-sized drawings will need to be taped together. We feel this is better than reducing them and losing fine details.

VIEWING: This document is utilizing PAGE-ON-DEMAND downloading. This will let you navigate to any page without waiting for the entire file to download.

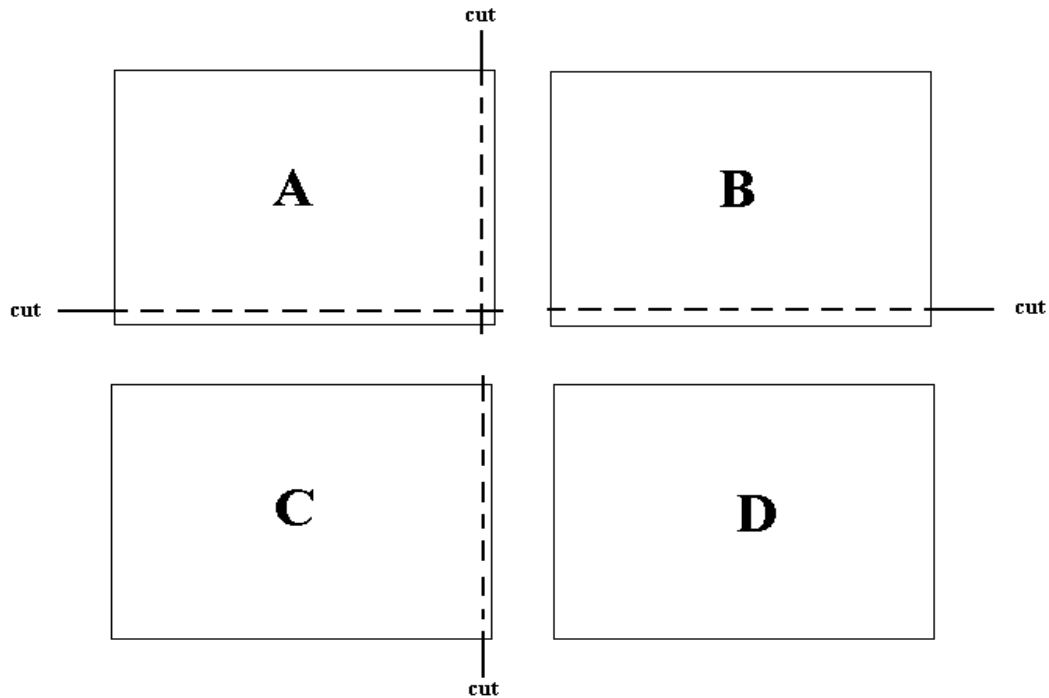
PRINTING: For the best quality, we highly recommend that when the print dialog appears, please **make sure "SHRINK OVERSIZED PAGES " is checked.**, otherwise you may cut off the edge of the page. Also please stay online while printing this document to make sure you get all the pages.

Visit us on the web at: <http://www.musicparts.com/>
Email us at: customerservice@musicparts.com

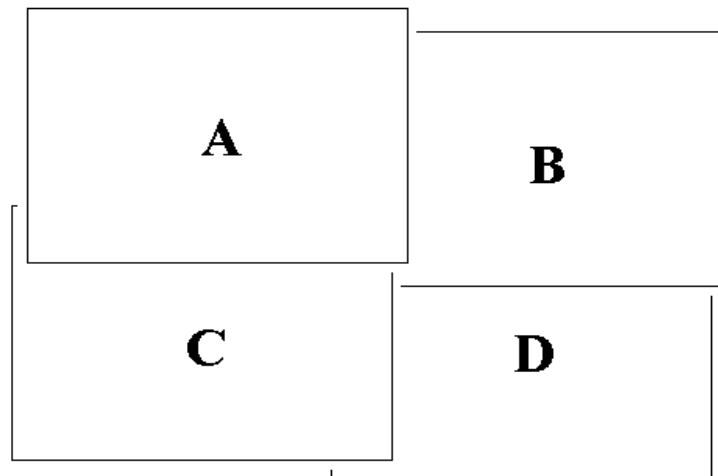
MusicParts.Com

Four Sheet Pasteup Guide

17x22" paper size

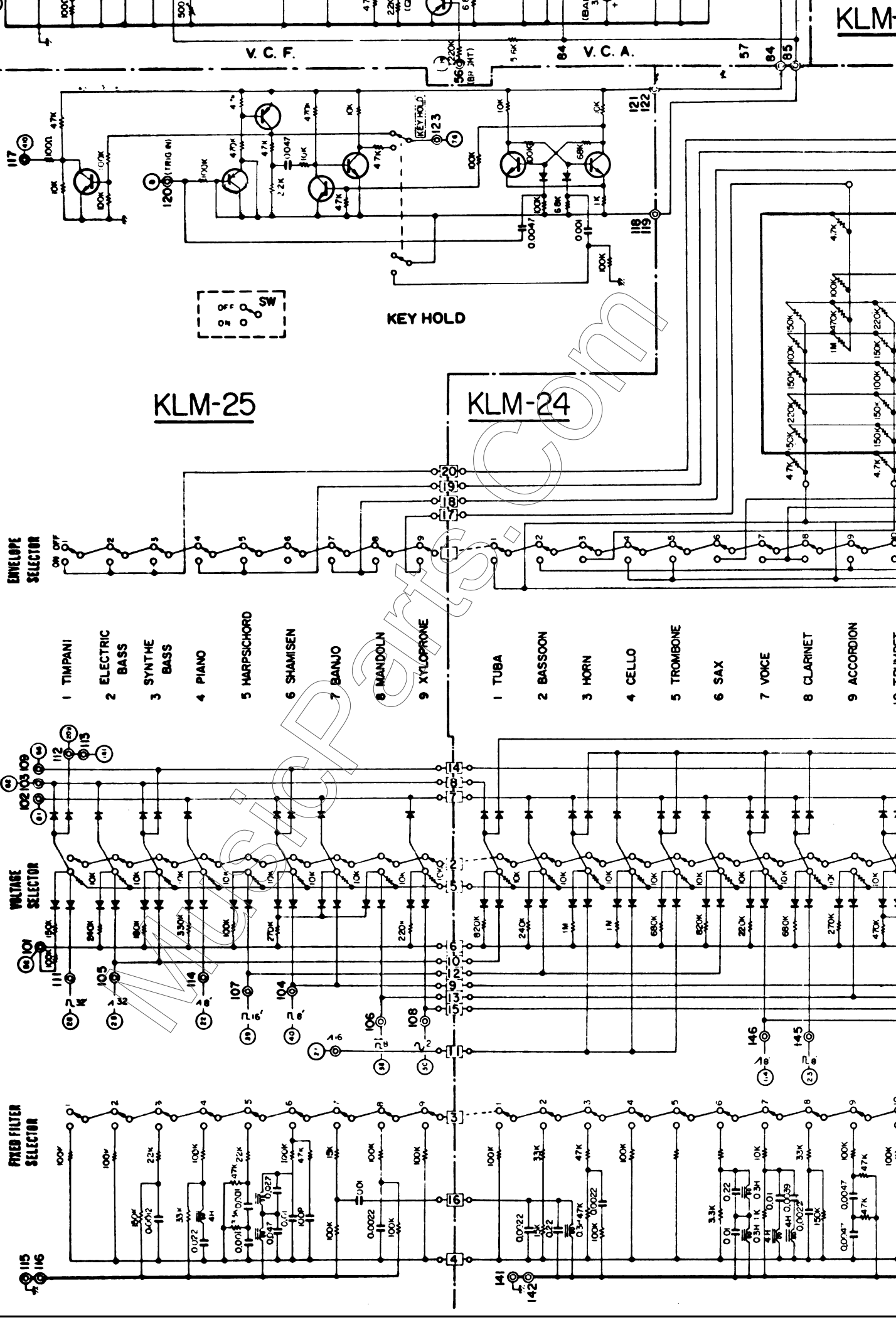


It's ok to slightly cut into the black print, as documents contain an intentional extended overlapping printed area.



Only four trim cuts are needed, then overlay as shown and tape

KORG 900 PS OVER-ALL CIRCUIT DIAGRAM



KLM-25

KLM-24

KLM-

V.C.F.

V.C.A.

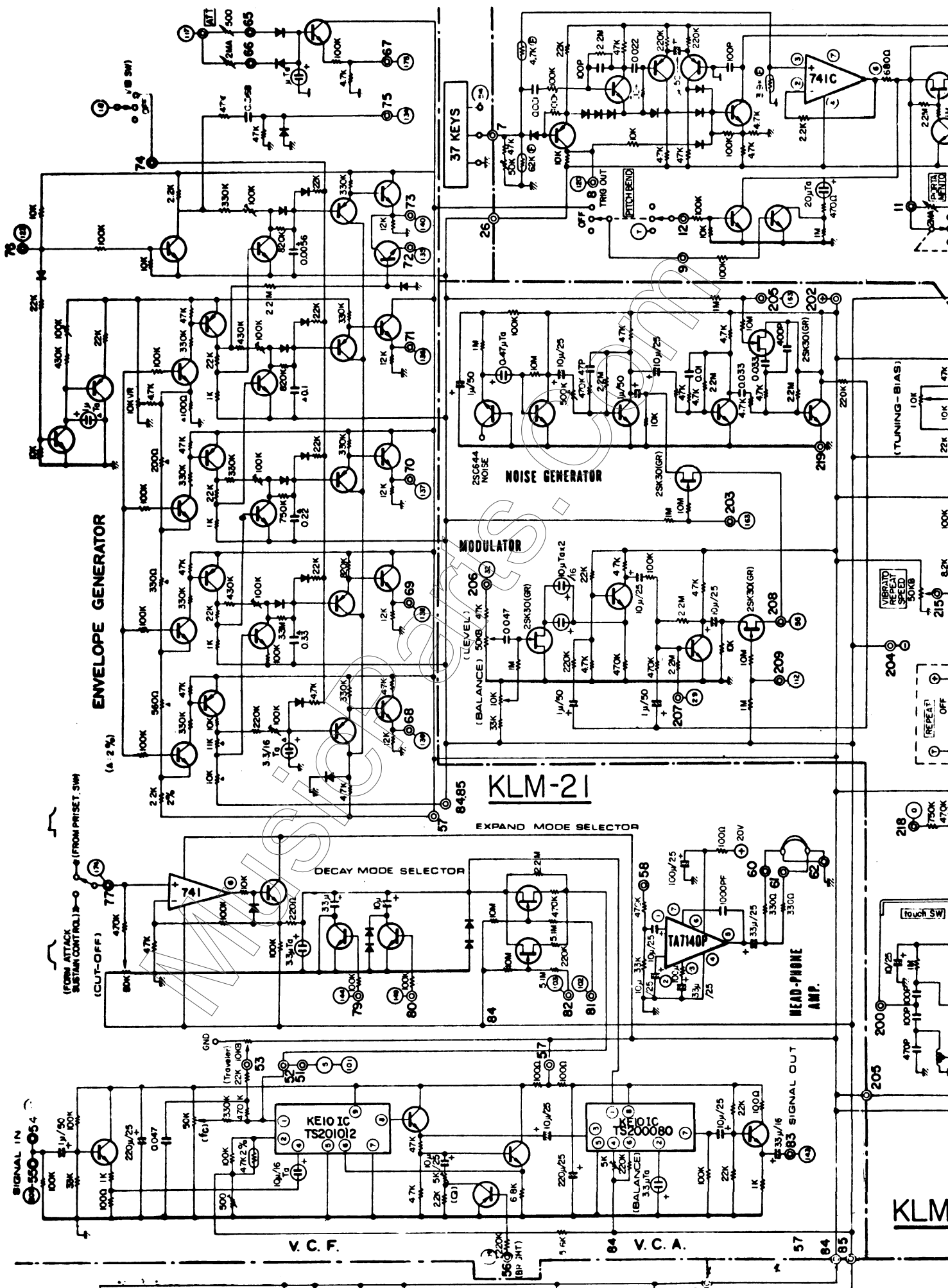
ENVELOPE SELECTOR

VOLTAGE SELECTOR

FILTER FILTER SELECTOR

- 1 TIMPANI
- 2 ELECTRIC BASS
- 3 SYNTH BASS
- 4 PIANO
- 5 HARPSCHORD
- 6 SHAMISEN
- 7 BANJO
- 8 MANDOLIN
- 9 XYLOPHONE
- 1 TUBA
- 2 BASSOON
- 3 HORN
- 4 CELLO
- 5 TROMBONE
- 6 SAX
- 7 VOICE
- 8 CLARINET
- 9 ACCORDION

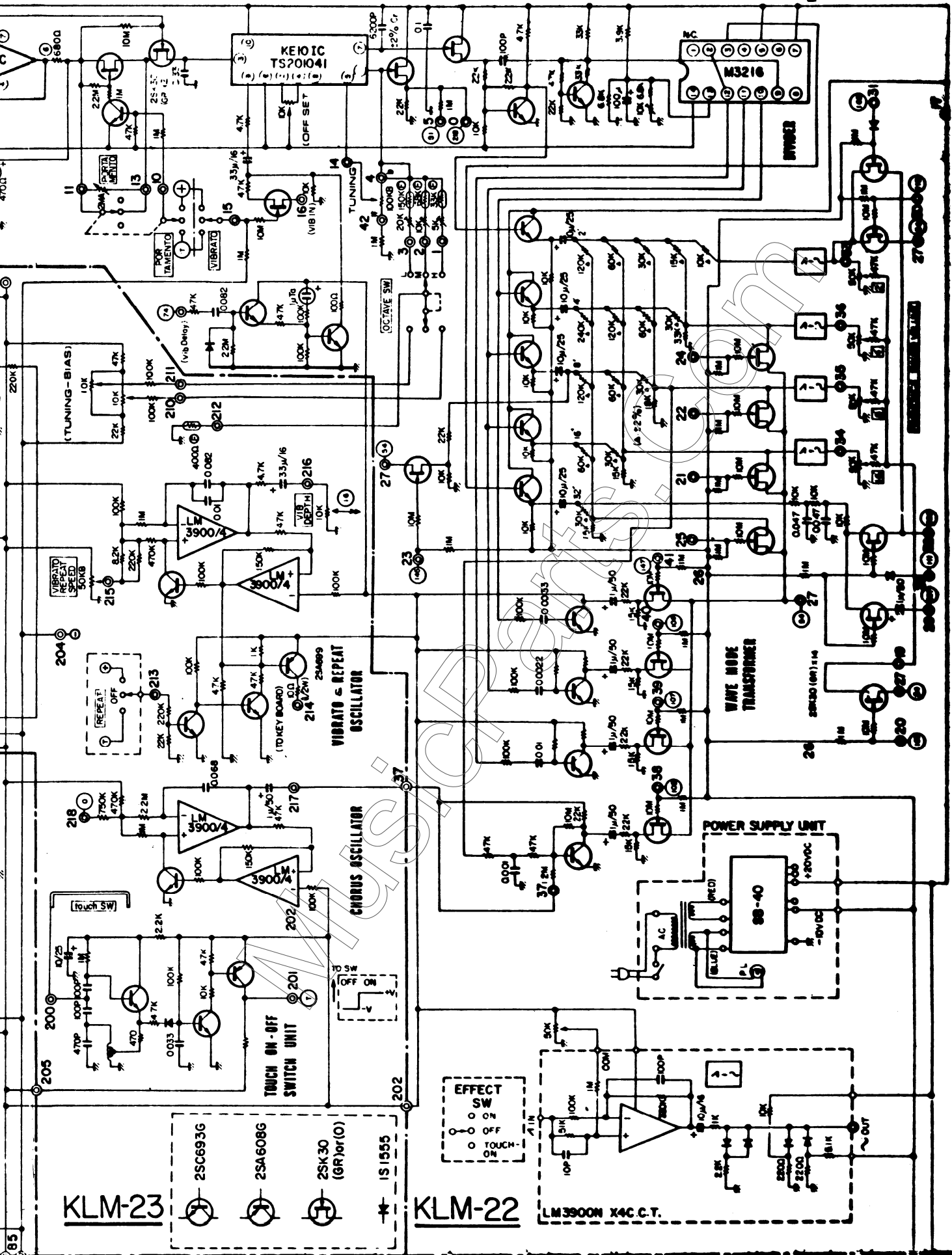
KEY HOLD



KLM-

V. C. O.

2.5K300x2



KLM-23

25C693G

25A608G

25K30 (GR)or(O)

IS 1555

KLM-22

LM3900N X4C.C.T.