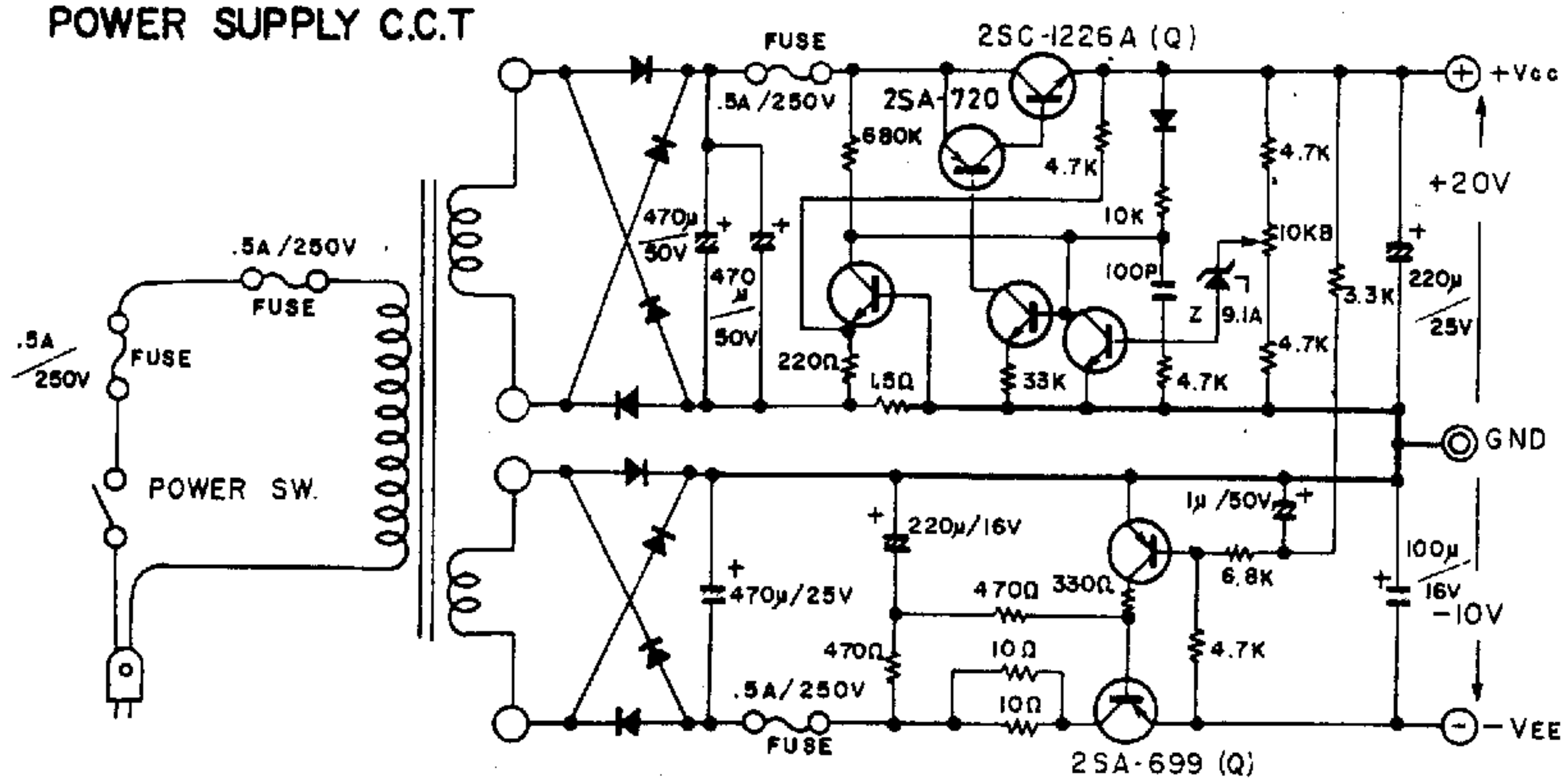
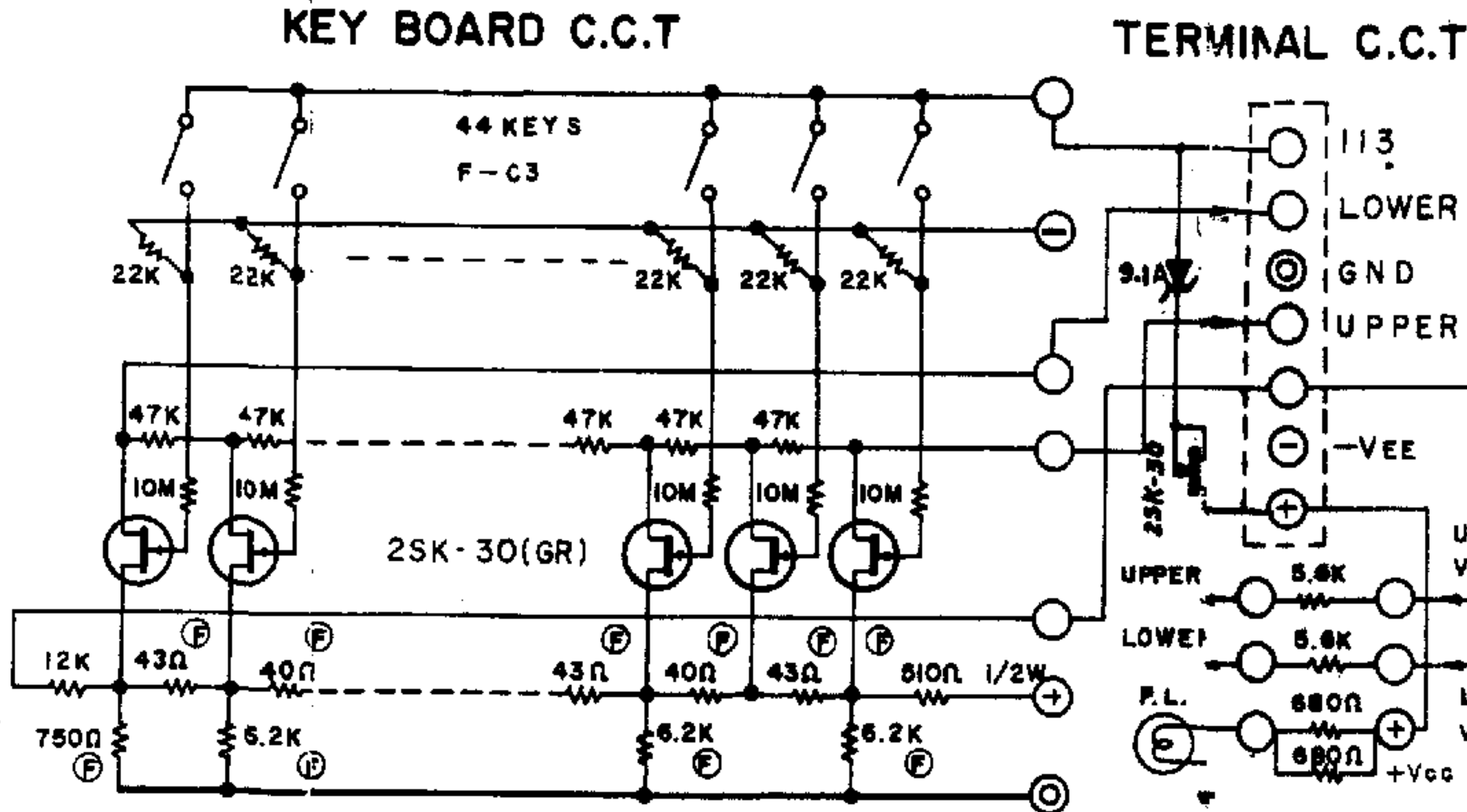


OVER ALL CIRCUIT DIAGRAM KORG 800 DV

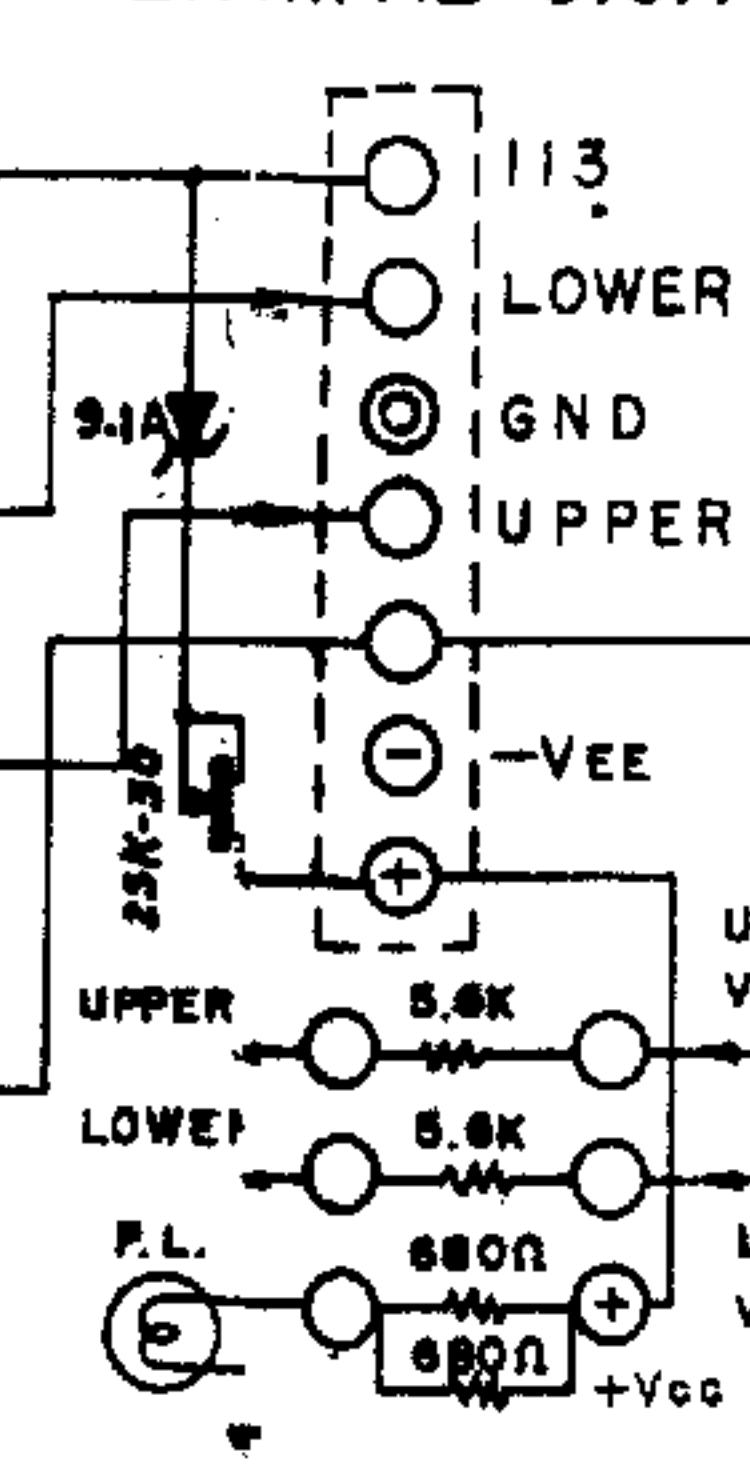
POWER SUPPLY C.C.T



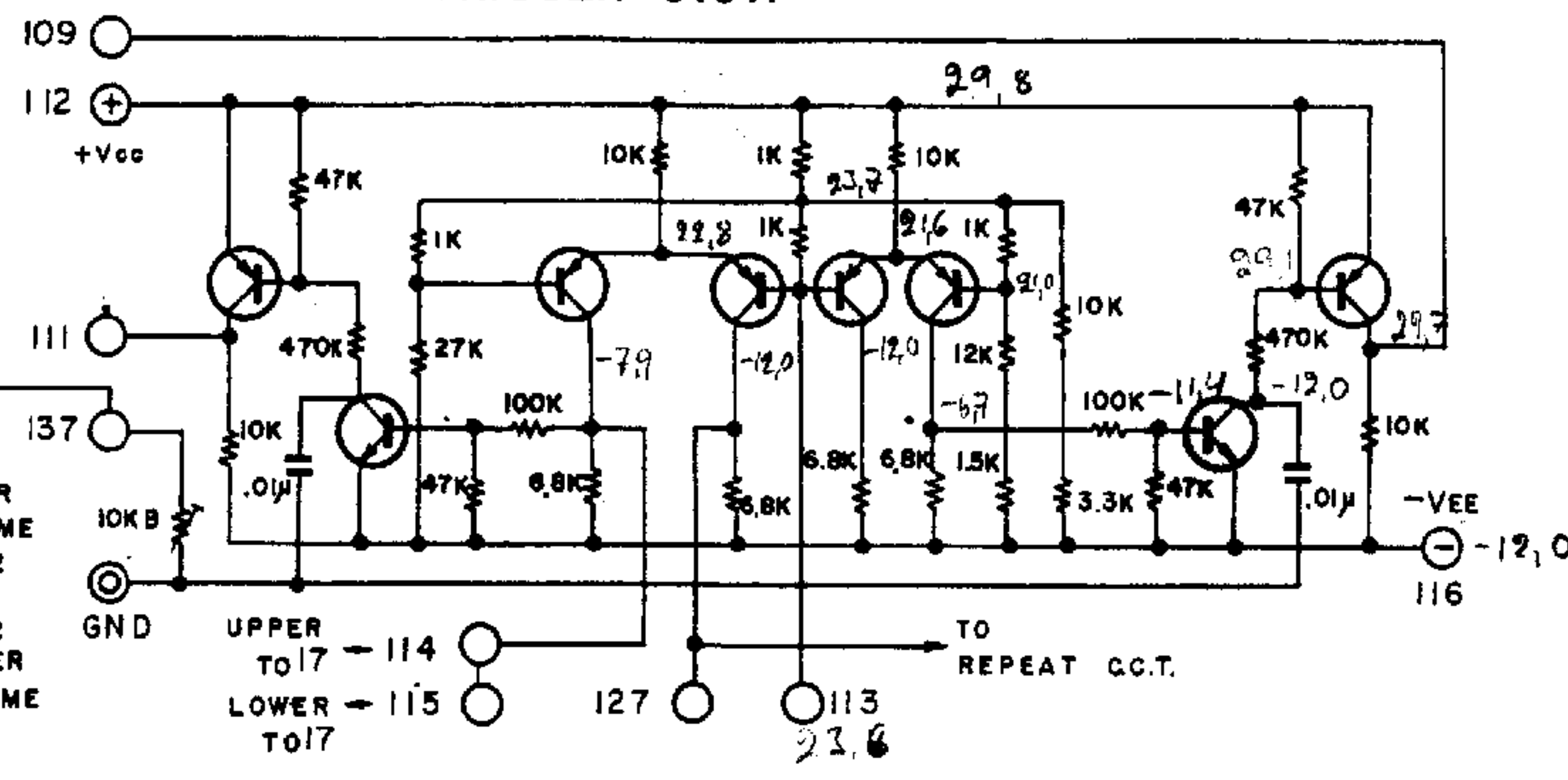
KEY BOARD C.C.T



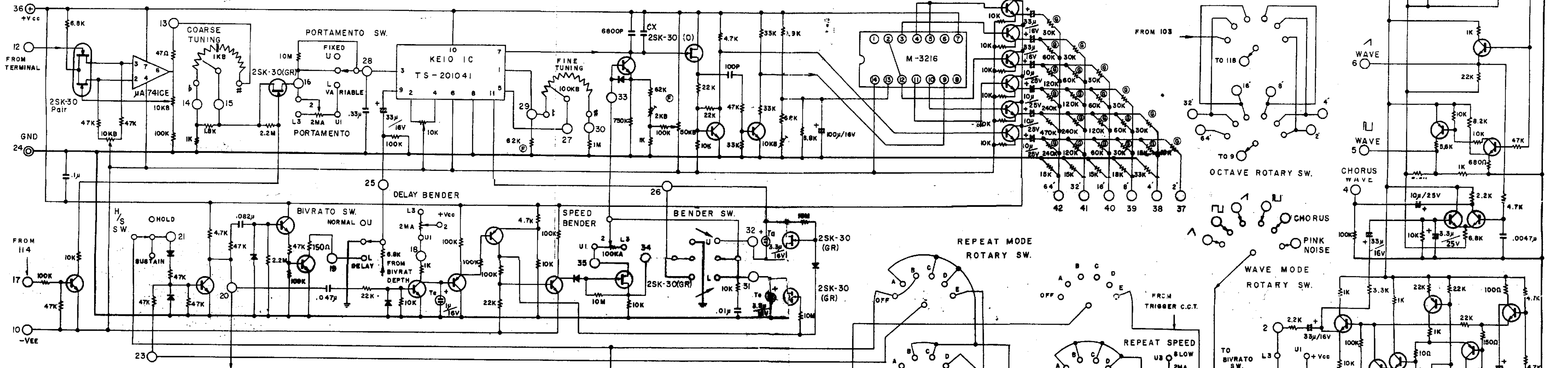
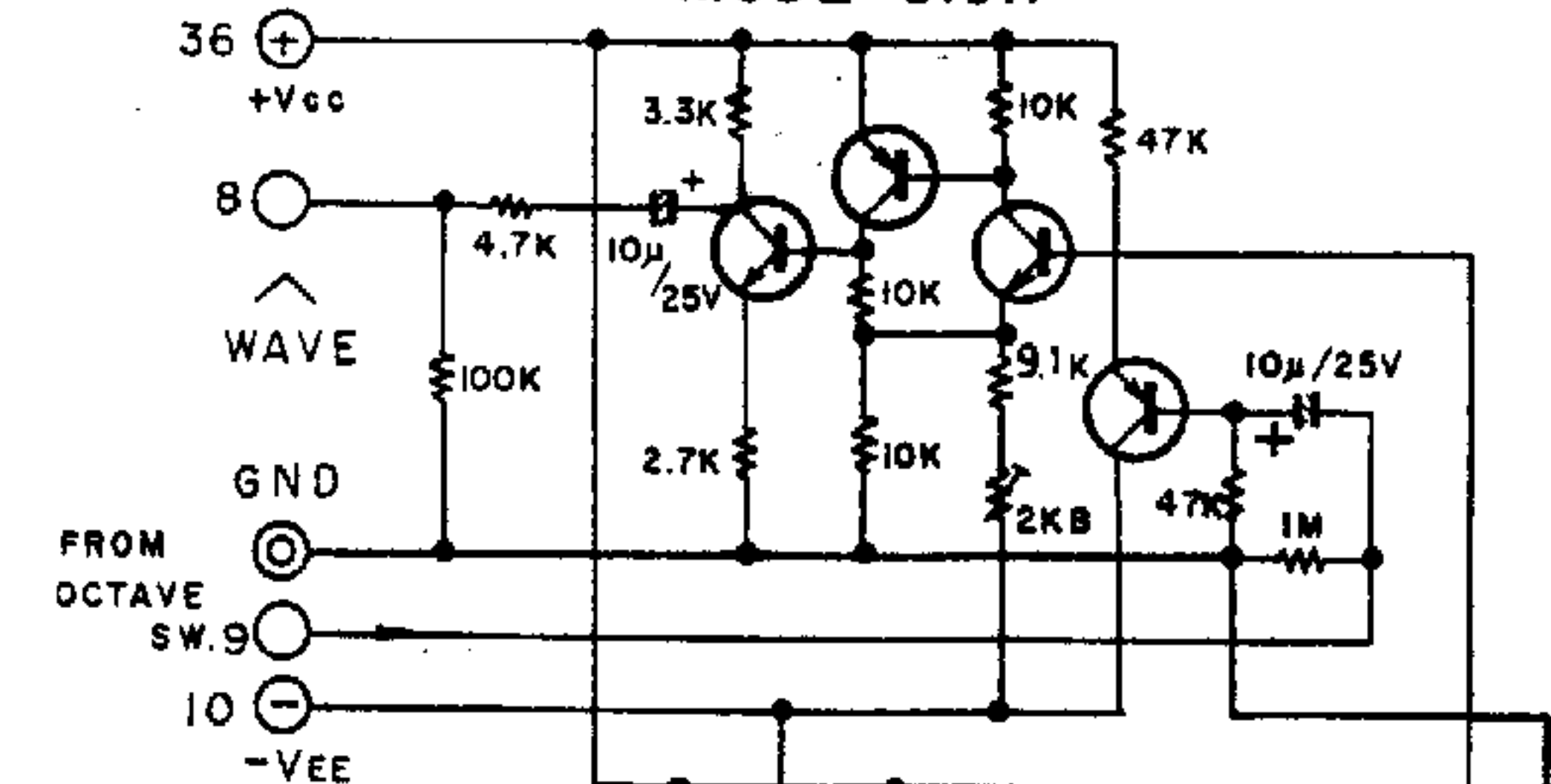
TERMINAL C.C.T



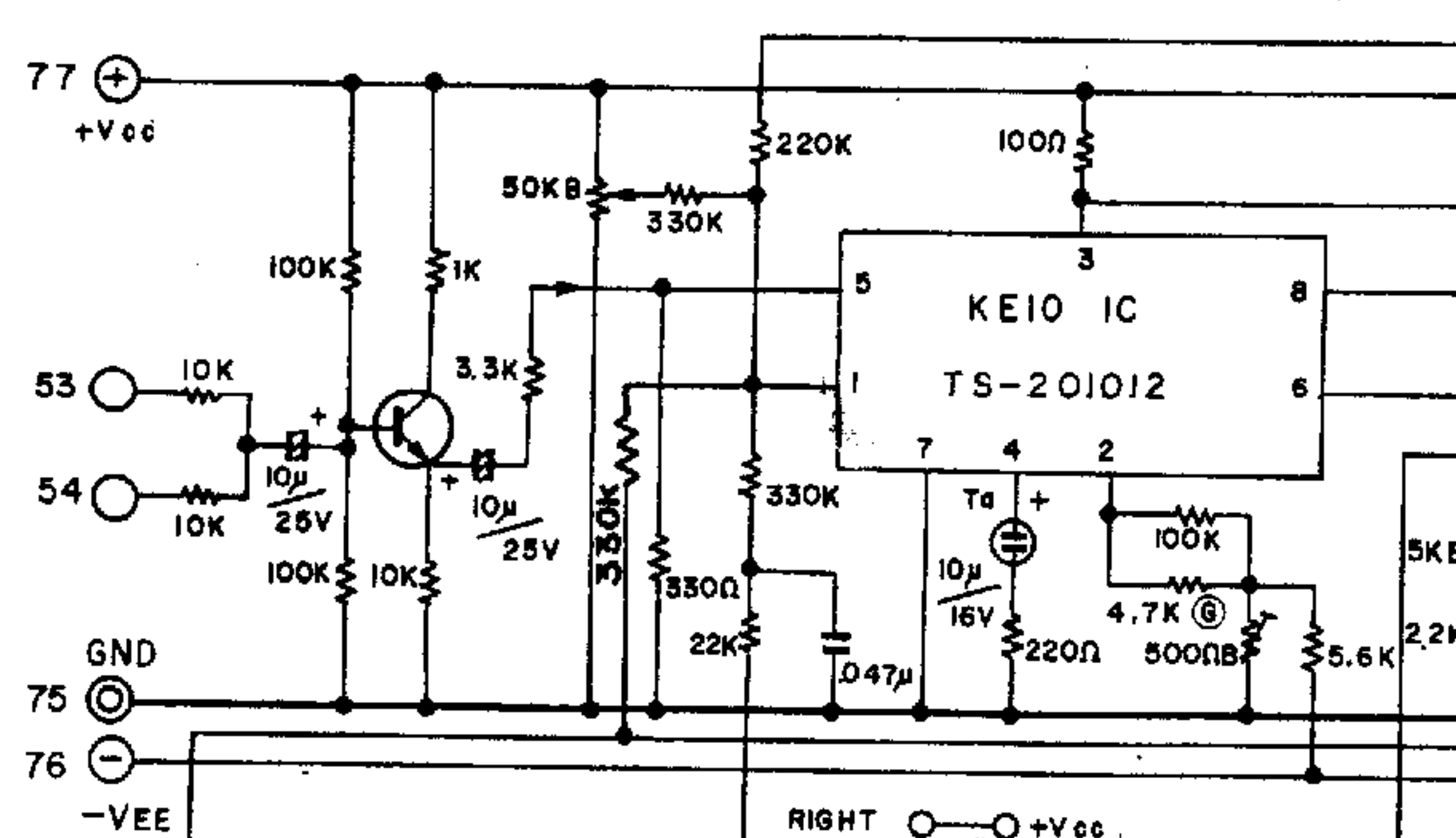
TRIGGER C.C.T



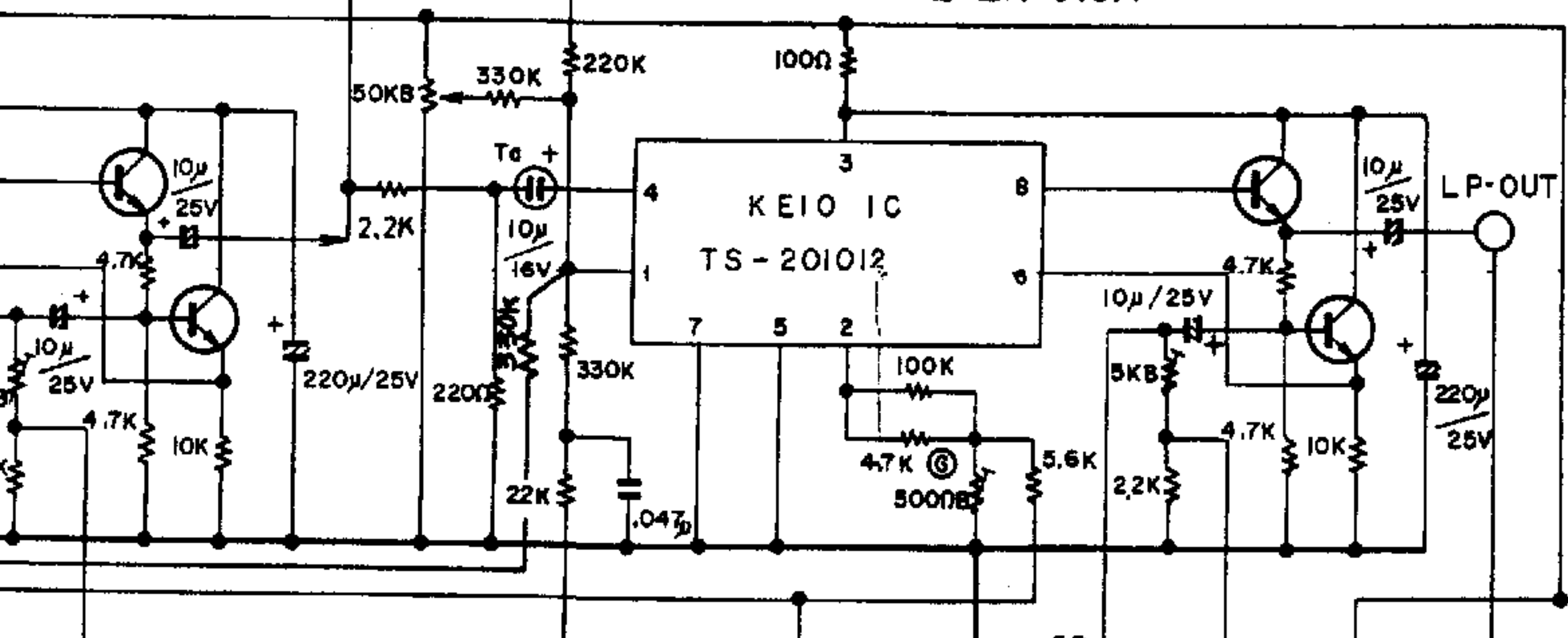
MODE C.C.T



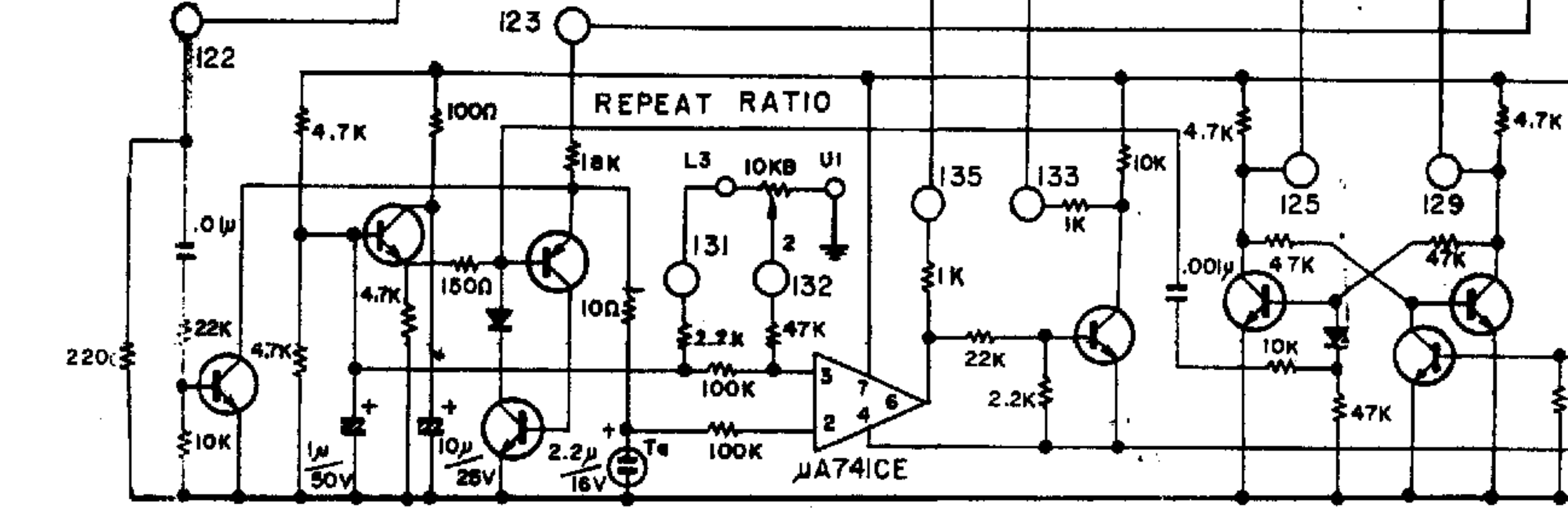
HIGH PASS FILTER C.C.T



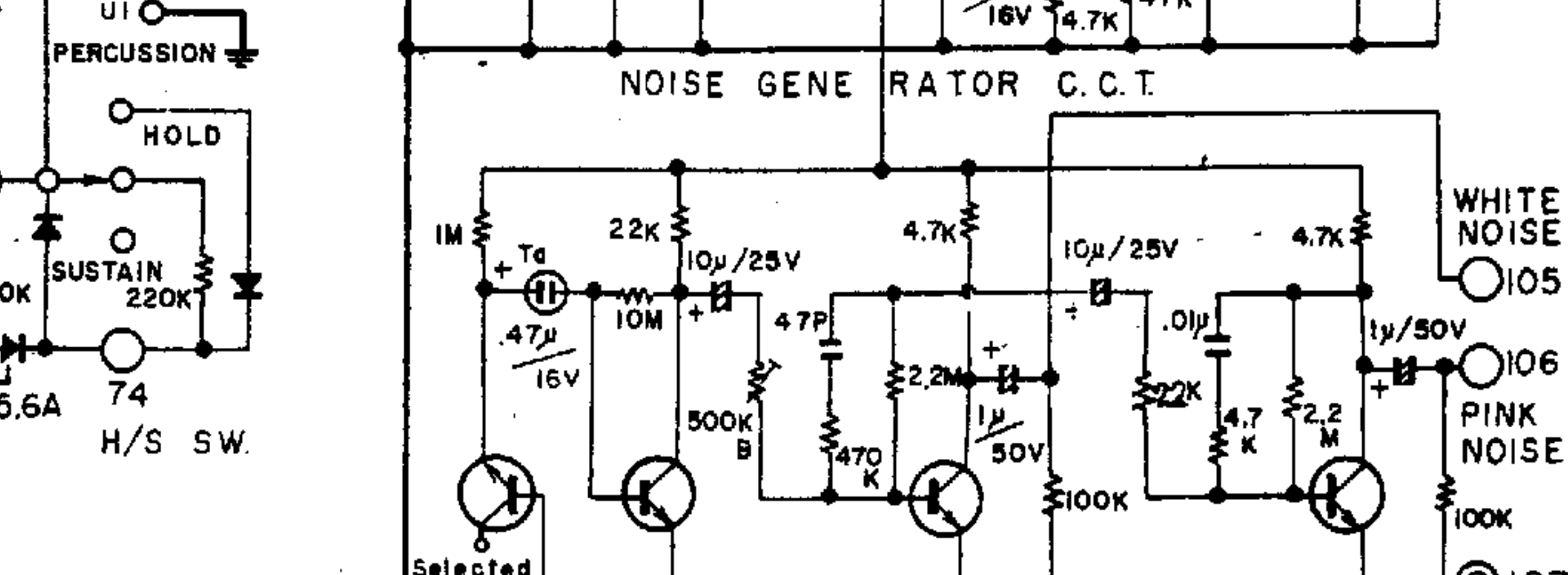
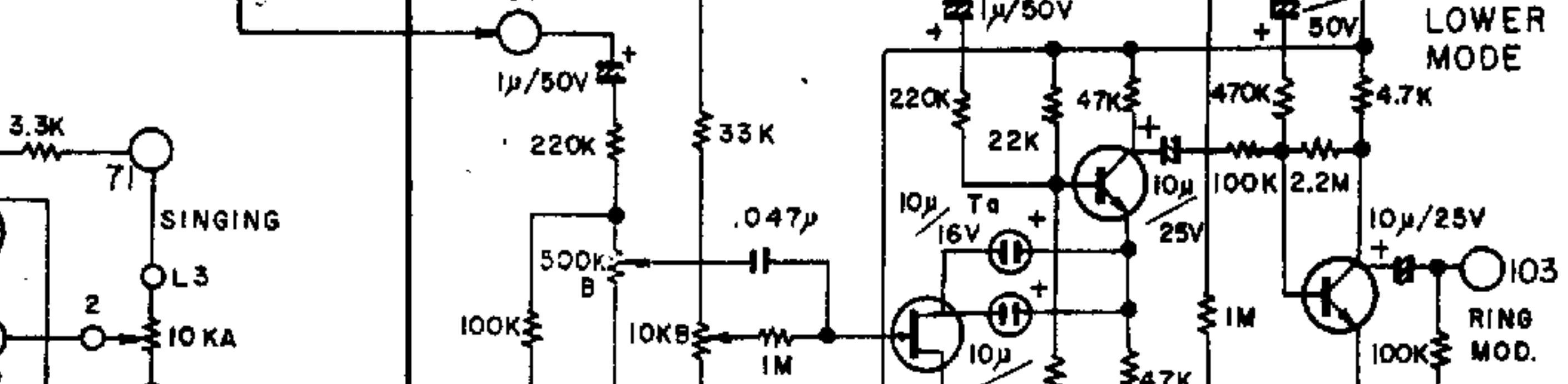
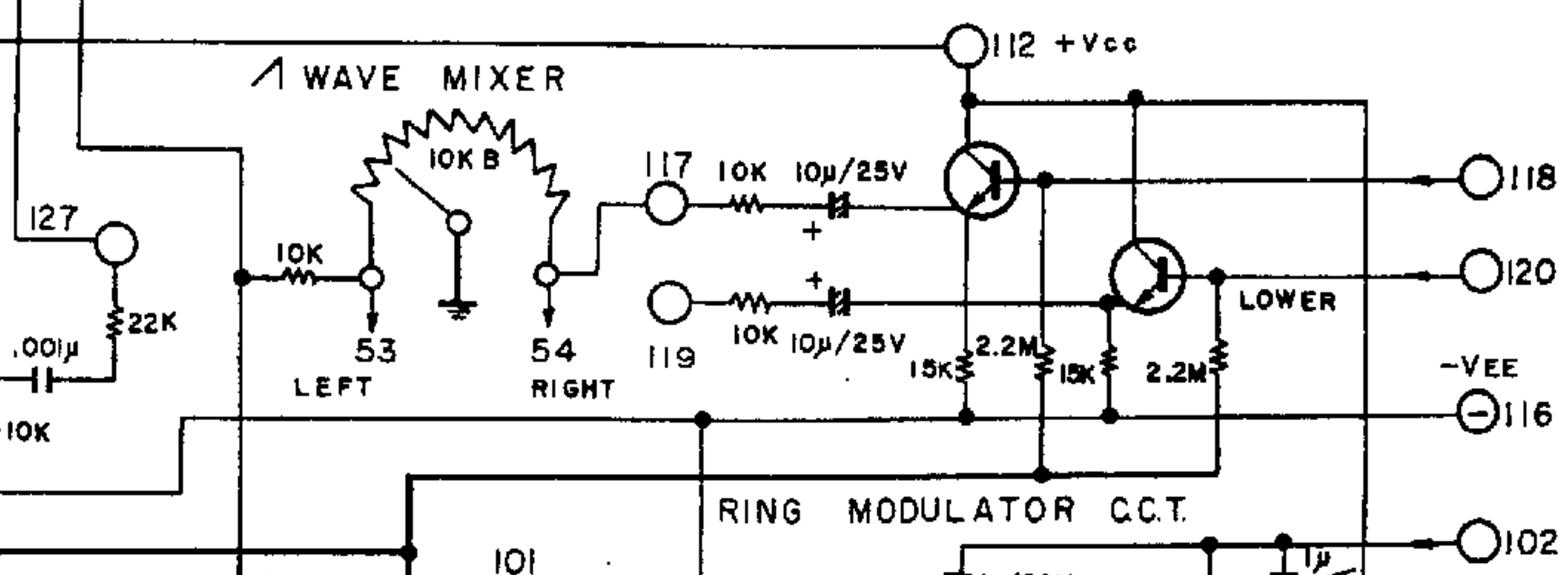
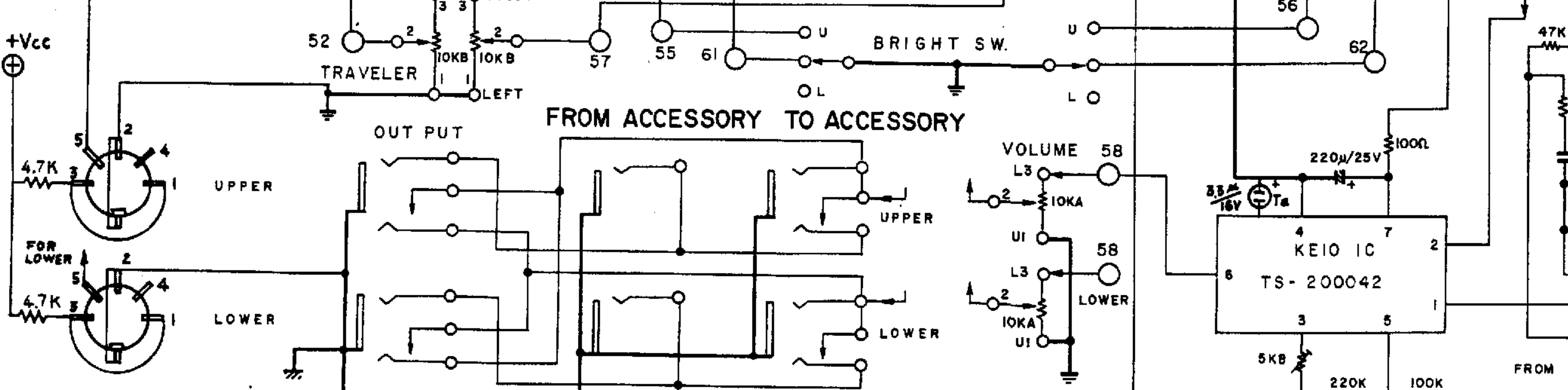
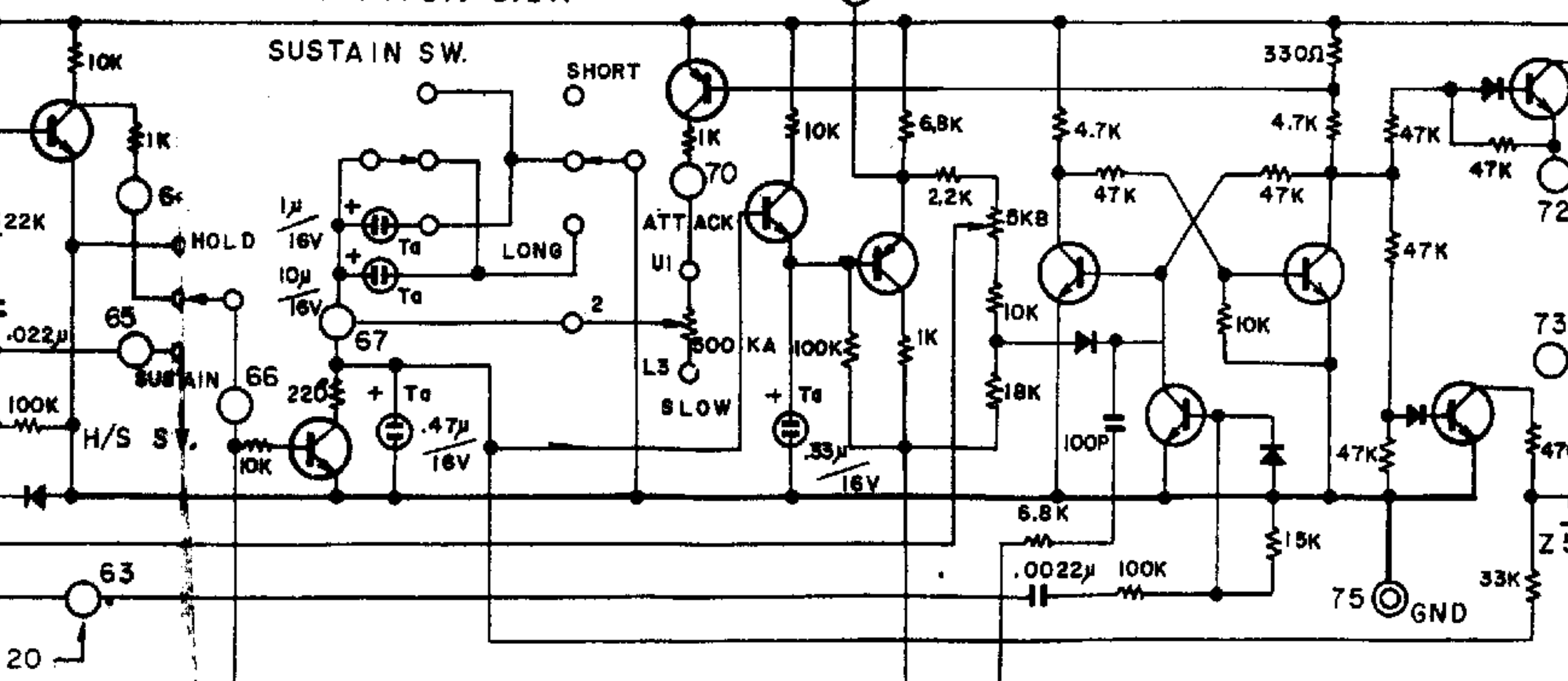
LOW PASS FILTER C.C.T



REPEAT C.C.T

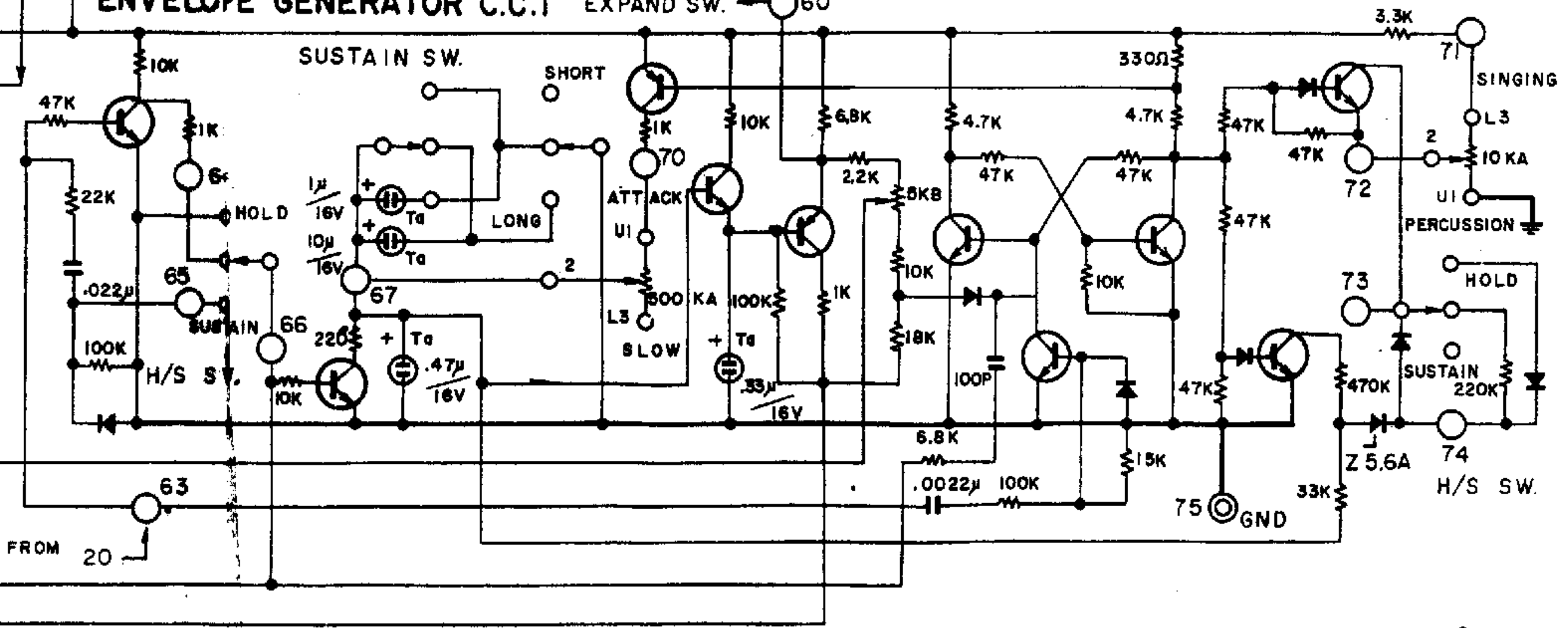


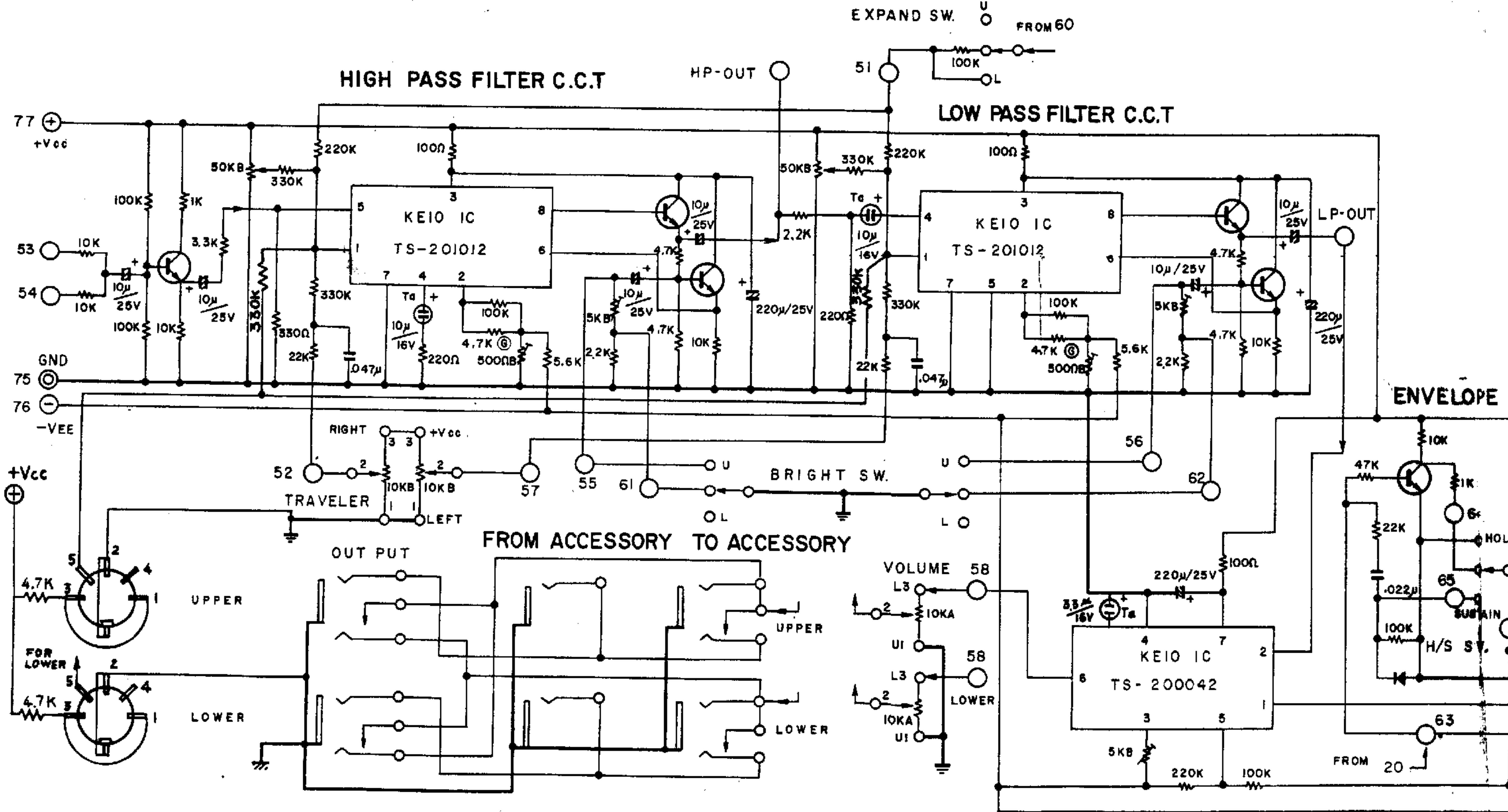
ENVELOPE GENERATOR C.C.T





# ENVELOPE GENERATOR C.C.T TO EXPAND SW. ← 60





HIGH PASS FILTER C.C.T

LOW PASS FILTER C.C.T

FROM ACCESSORY TO ACCESSORY

ENVELOPE C.C.T

77 +Vcc  
53  
54  
75 GND  
76 -VEE

HP-OUT

EXPAND SW. FROM 60

LP-OUT

TRAVELER  
UPPER  
LOWER

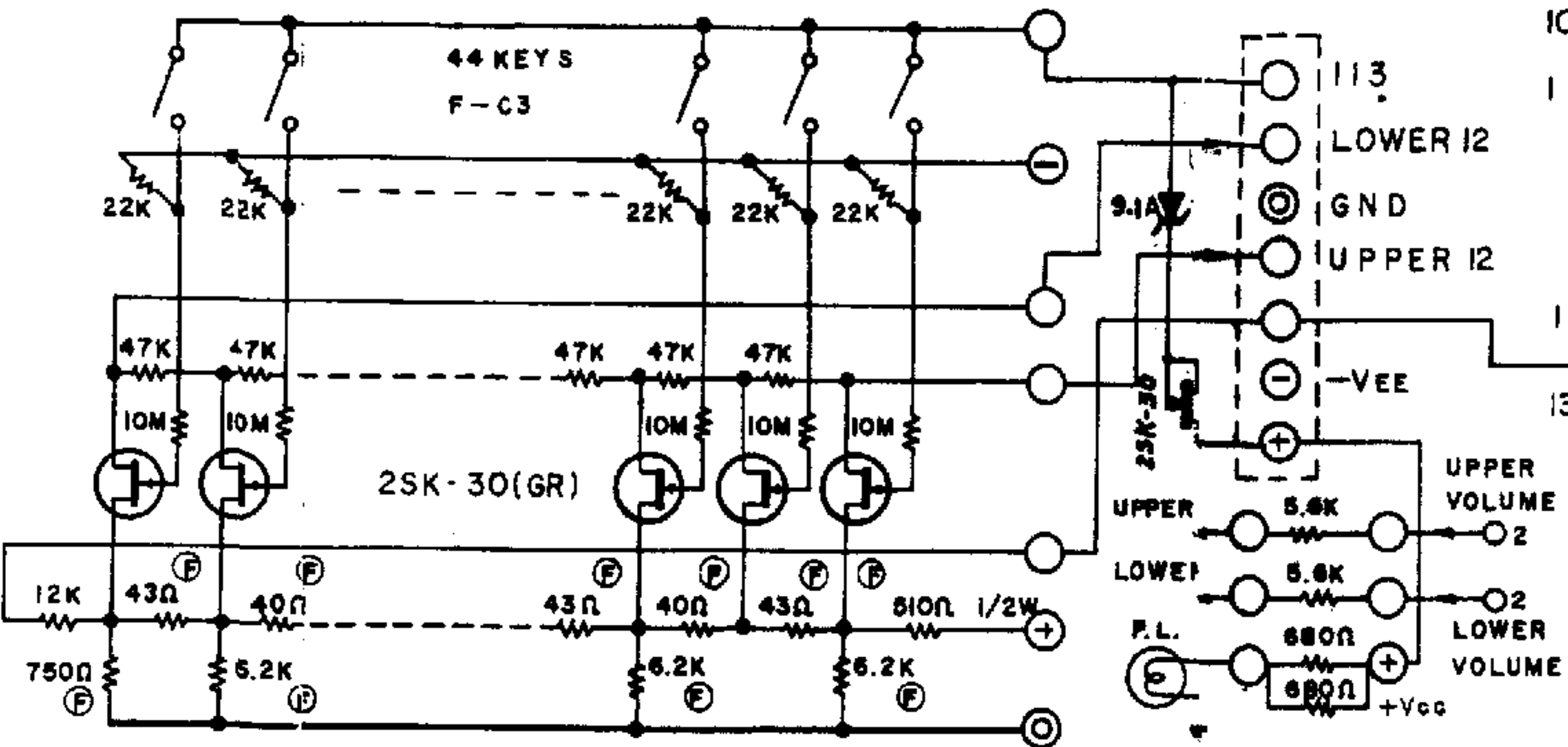
BRIGHT SW.

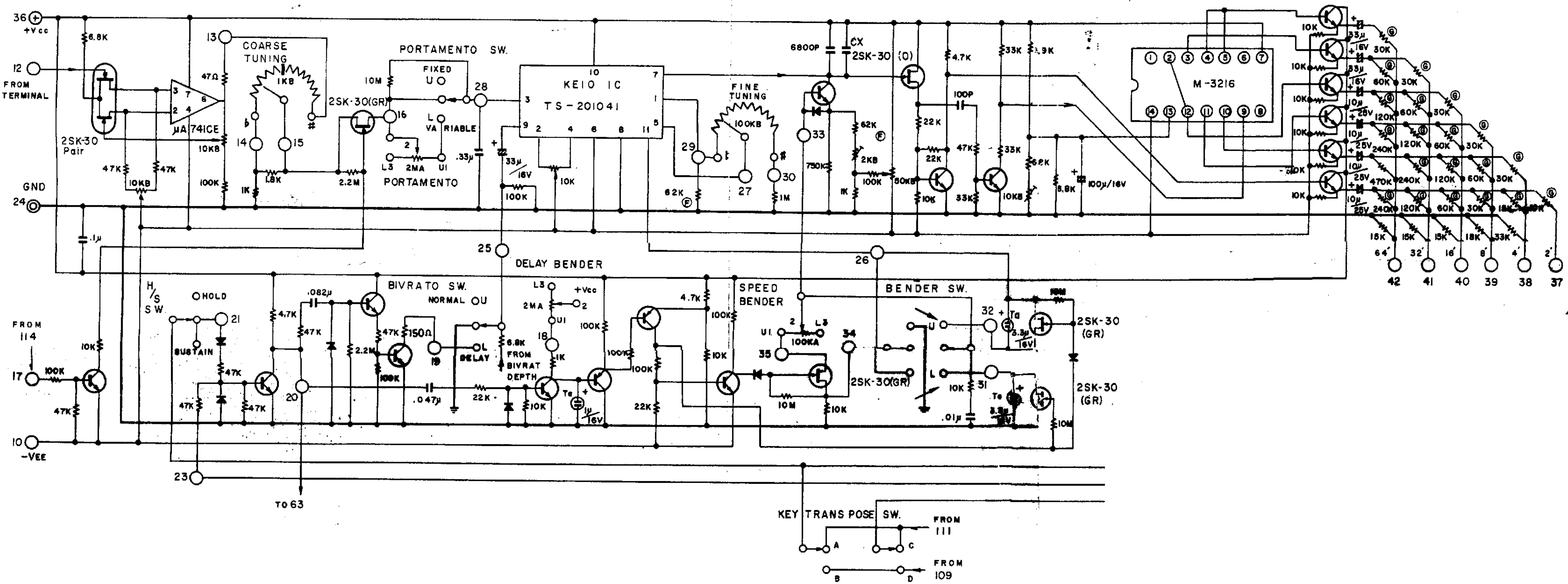
VOLUME  
UPPER  
LOWER

HOLD  
SUSTAIN  
H/S SW.  
FROM 20

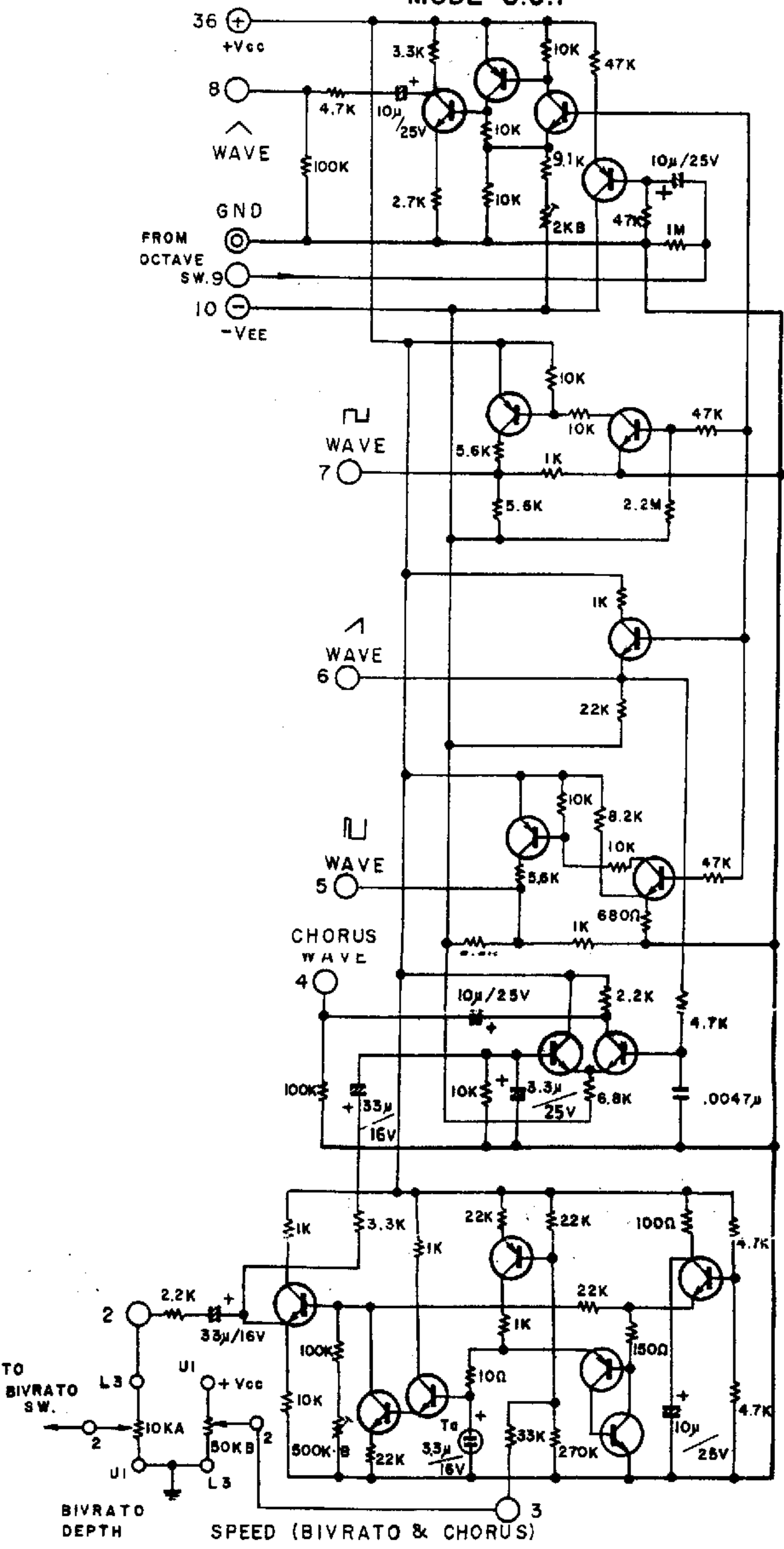
# KEY BOARD C.C.T

# TERMINAL C.C.T



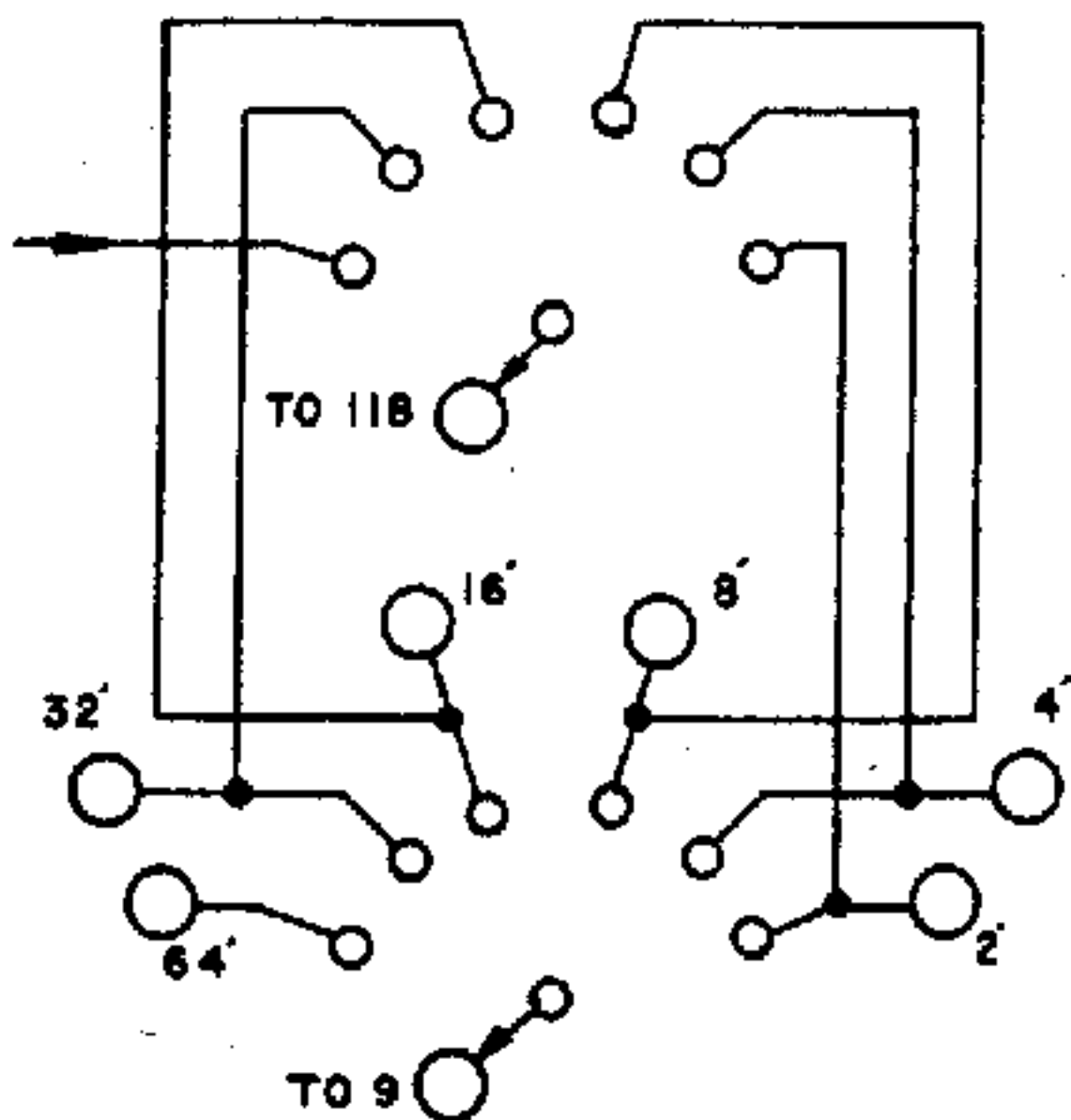


# MODE C.C.T

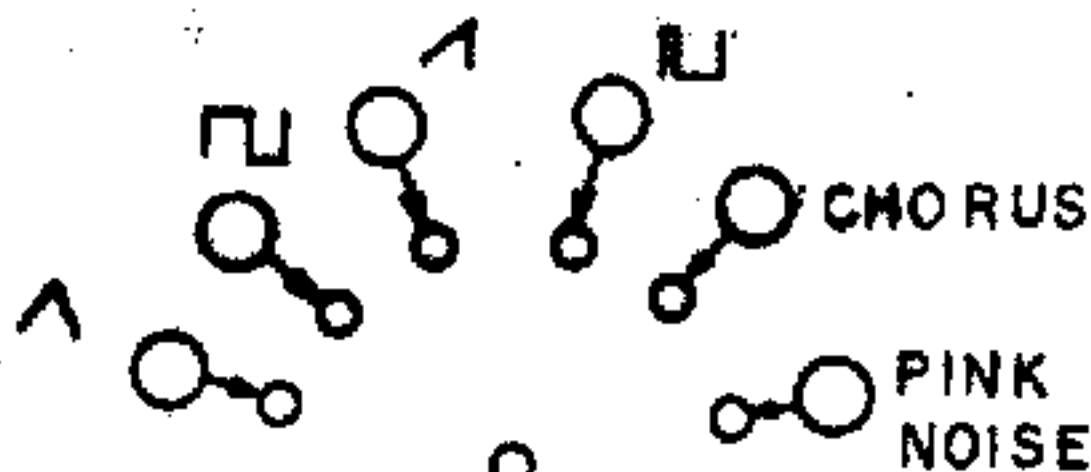


OCTAVE MIXER ROTARY SW.

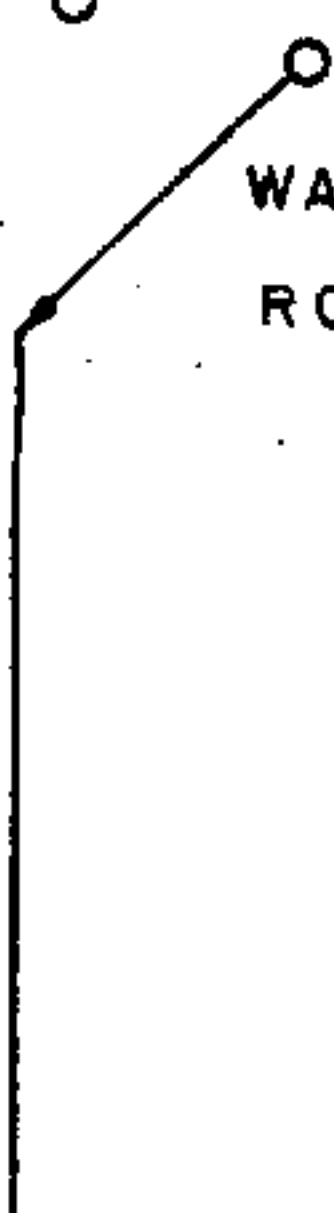
FROM 103



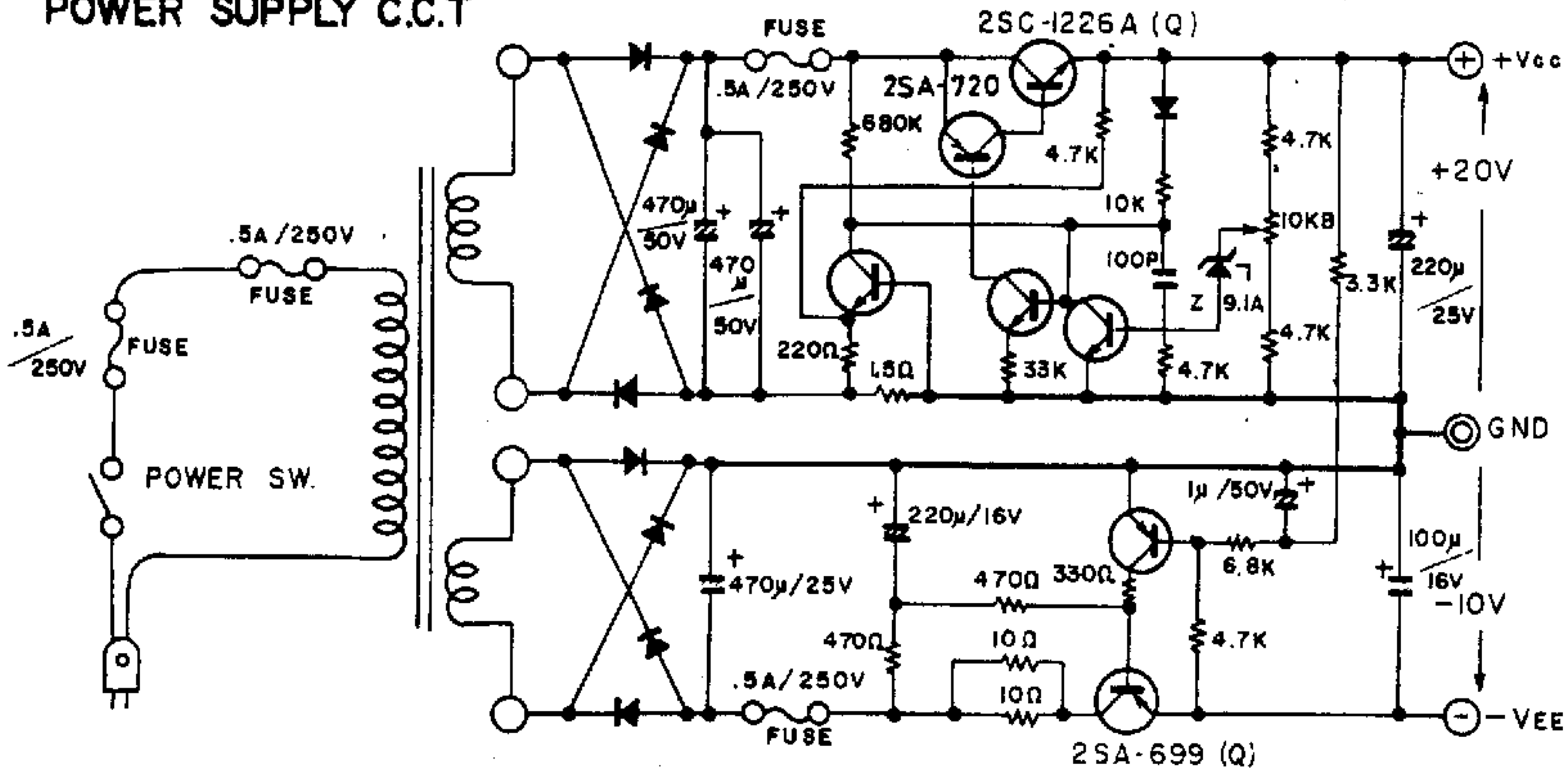
OCTAVE ROTARY SW.



WAVE MODE  
ROTARY SW.

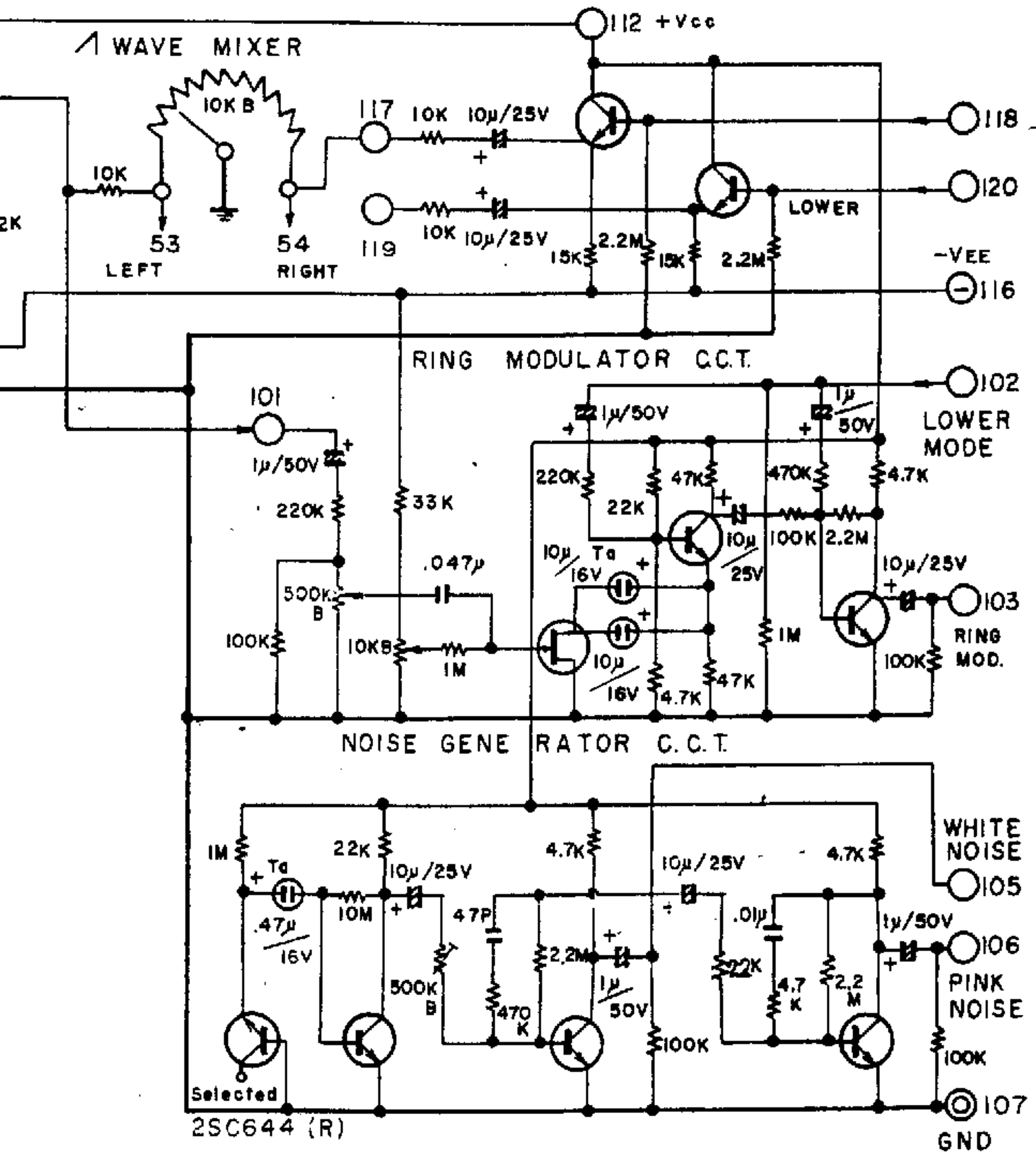


# POWER SUPPLY C.C.T









# TRIGGER C.C.T

