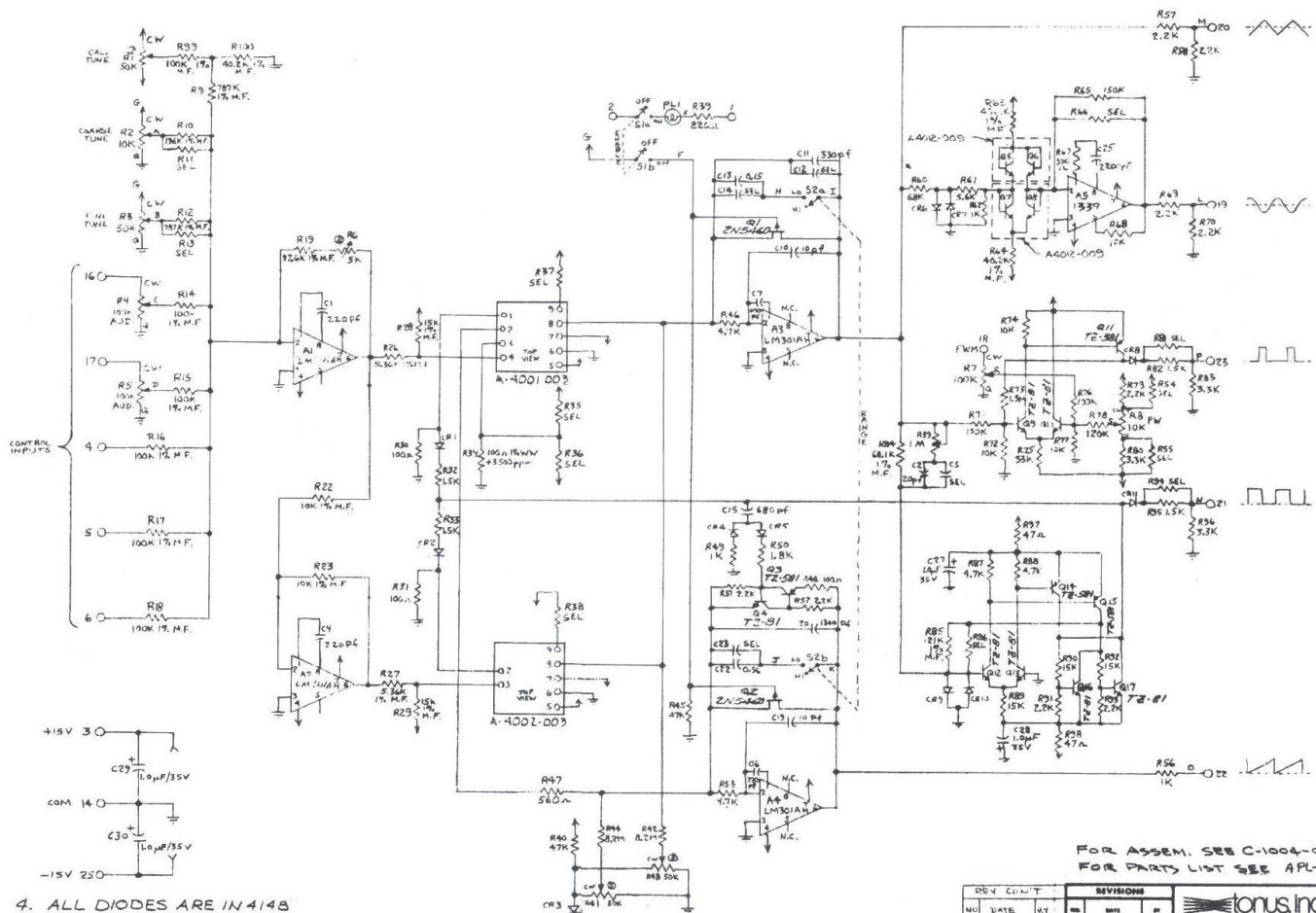


- NOTES:**
1. NO Q15 SHOWN: DELETED
  2. ALL DIODES - IN-473
  3. 2N6076 TRANSISTERS MAY BE REPLACED WITH T2581 OR 2N5567.
  4. THIS CIRCUIT IS DUPLICATED FOR THE 2ND SECTION. REF. DES. BEGIN WITH 101 IN THIS HALF, AND BEGIN WITH 201 IN THE SECOND SECTION. EXAMPLE: A103 THIS SECTION IS A 203 IN 2ND SECTION.
  5. UNLESS OTHERWISE STATED: ALL RESISTOR VALUES IN OHMS. ALL CAPACITOR VALUES IN µF. (P = PICOPARADS)
  6. FOR P/L SEE APL-1003-003 FOR ASSY. SEE C-1003-001

AUG 2 - 1973

REVISIONS				tonus, inc.		40 KENNETH STREET NEWTON, MASSACHUSETTS 02459	
NO.	DATE	BY	SCALE	MATERIAL			
A	ADDED NOTE 3	C.W.	10/11/72	MODULE 1003, SCHEMATIC 1/2			
B	UPDATE (2-2-73)	OF		DUAL ENVELOPE GENERATOR, UNDEVELOPED			
C	DELETE C101	MSR	3/10/73				
D	ACC C032	092		DATE 7-22-70			
E	ACC C034	108		APP'S FOR PROTOTYPING			
F	ECO D210	08		APP'S FOR PROTOTYPING			



FOR ASSEM. SEE C-1004-003  
 FOR PARTS LIST SEE APL-1004-005

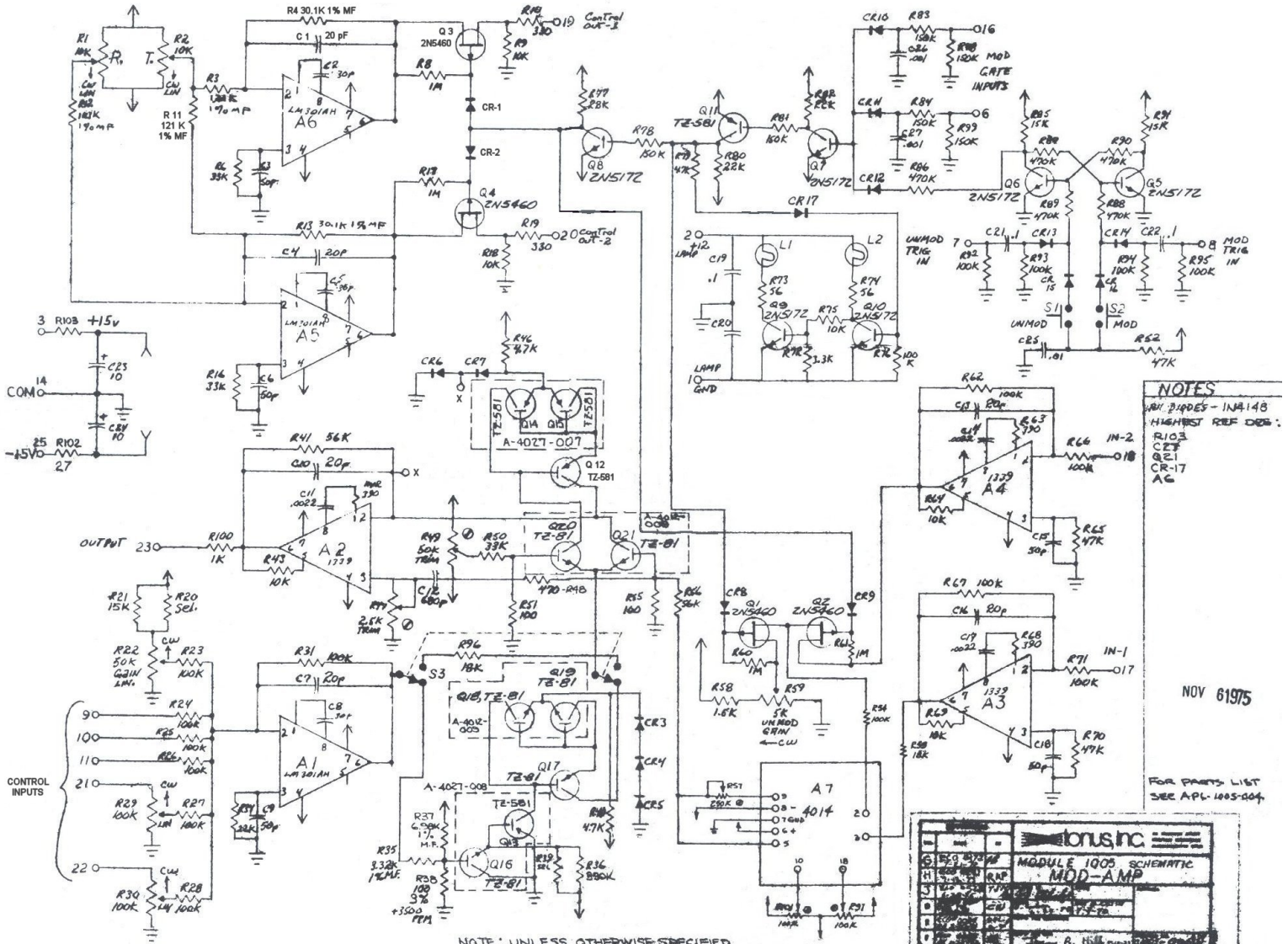
4. ALL DIODES ARE IN 4148
3. UNLESS OTHERWISE SPECIFIED CAP. VALUES ARE MICROFARADS (P = PICOFARADS)
2. TRANSISTORS MARKED T2-81 MAY BE REPLACED WITH 2N5367
1. TRANSISTORS MARKED T2-81 MAY BE REPLACED WITH 2N5248

NOTES:

REV	DATE	BY	NO.	REV	BY
G	11-01-70	RE	A	1-23-70	RE
H	ELO 0485	RE	B	6-17-70	RE
			C	6-17-70	RE
			D	6-17-70	RE
			E	6-17-70	RE
			F	6-17-70	RE
			G	6-17-70	RE
			H	6-17-70	RE
			I	6-17-70	RE
			J	6-17-70	RE
			K	6-17-70	RE
			L	6-17-70	RE
			M	6-17-70	RE
			N	6-17-70	RE
			O	6-17-70	RE
			P	6-17-70	RE
			Q	6-17-70	RE
			R	6-17-70	RE
			S	6-17-70	RE
			T	6-17-70	RE
			U	6-17-70	RE
			V	6-17-70	RE
			W	6-17-70	RE
			X	6-17-70	RE
			Y	6-17-70	RE
			Z	6-17-70	RE

tonus, Inc. AN ELECTRONIC COMPANY  
 10000 RIVERSIDE DRIVE  
 RIVERSIDE, CALIF. 92504  
 (714) 941-1111

SCHMATIC  
 OSCILLATOR MODULE 1004  
 DATE: 6-17-70  
 BY: RE  
 CHECKED BY: RE  
 APPROVED BY: RE  
 R. Hill 6-28-73 C-1004-007

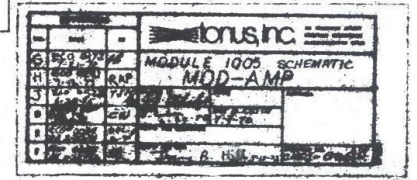


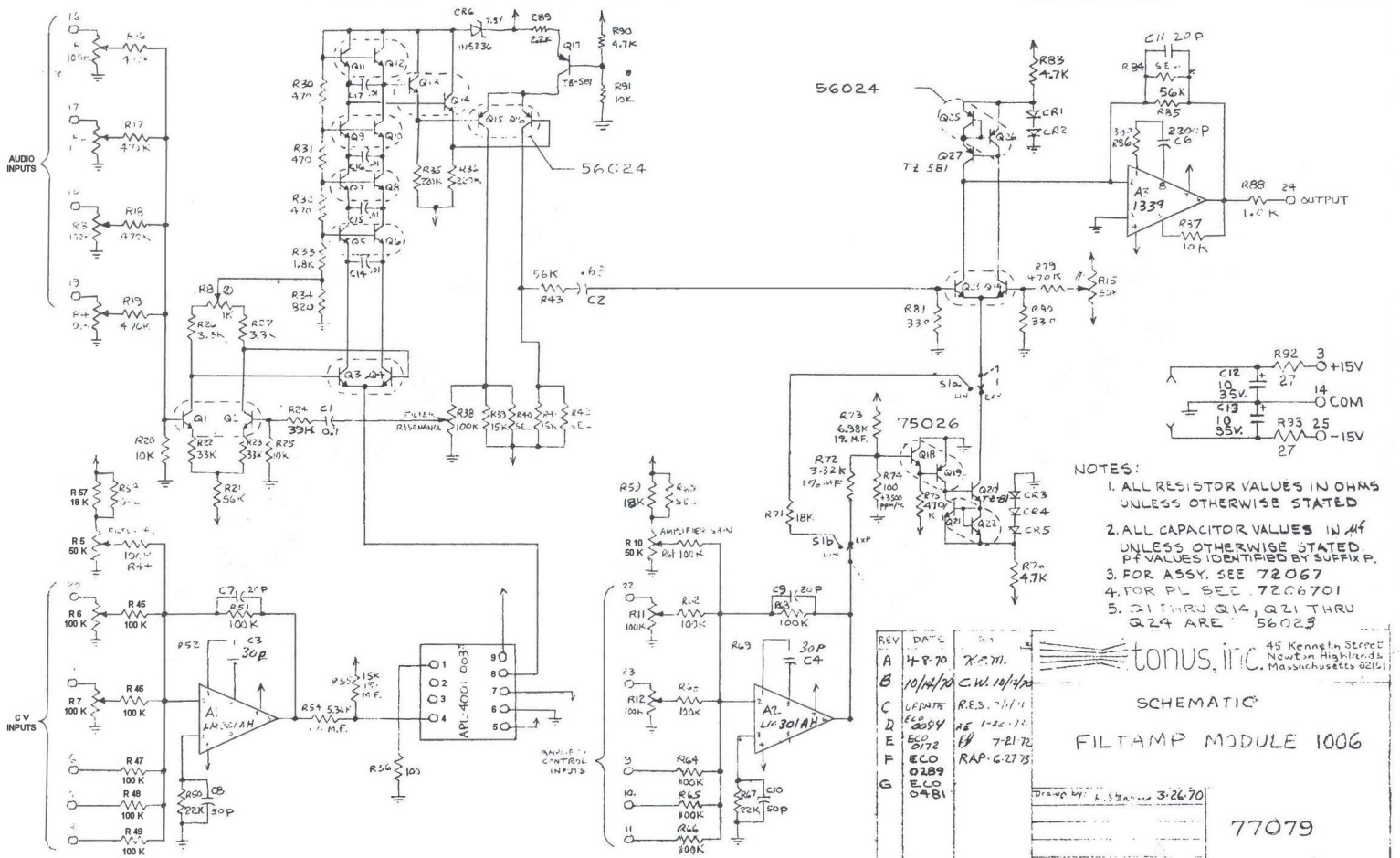
**NOTES**  
 MAX. PIPDES - IN-148  
 HIGHEST REF DESG:  
 R103  
 C23  
 Q21  
 CR-17  
 A6

NOV 61975

FOR PARTS LIST  
 SEE APL-1005-004

NOTE: UNLESS OTHERWISE SPECIFIED  
 ALL RESISTOR VALUES ARE EXPRESSED IN OHMS  
 AND CAPACITOR VALUES IN MICROFARADS.  
 P.F. VALUES IDENTIFIED BY SUPPLER 3





- NOTES:
1. ALL RESISTOR VALUES IN OHMS UNLESS OTHERWISE STATED
  2. ALL CAPACITOR VALUES IN  $\mu$ F UNLESS OTHERWISE STATED. P.F. VALUES IDENTIFIED BY SUFFIX P.
  3. FOR ASSY. SEE 72067
  4. FOR PL. SEE 7206701
  5. Q1 THRU Q14, Q21 THRU Q24 ARE 56023

REV	DATE	BY	CHK'D
A	4-8-70	K.C.M.	
B	10/4/70	C.W. 10/4/70	
C	11/11/70	R.E.S.	
D	12/22/70	R.E.S.	
E	1/17/71	R.E.S.	
F	7-21-72	R.A.P.	
G	12-28-72	R.A.P.	

tonus, inc. 45 Kennel Street  
Newton Highlands, Massachusetts 02451

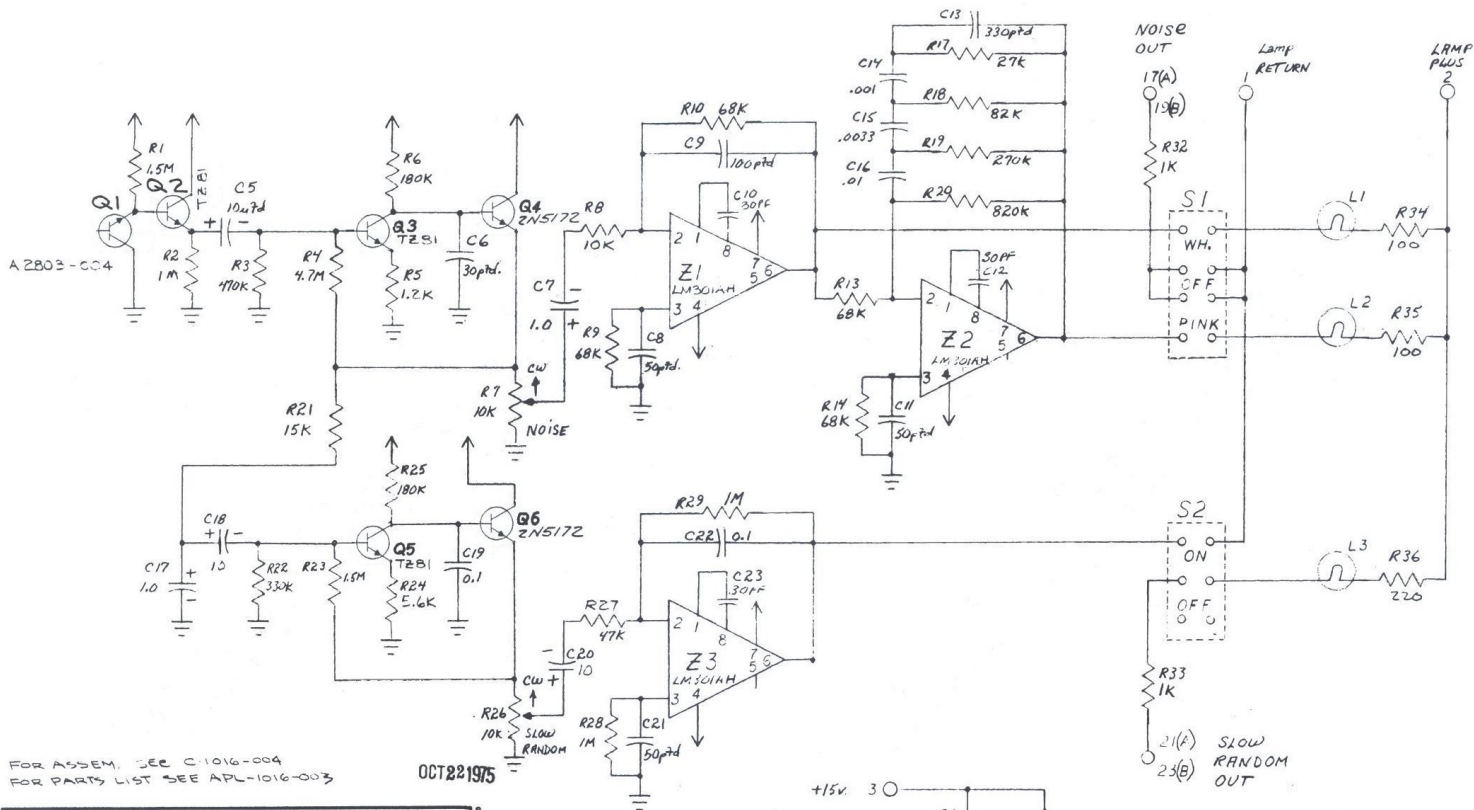
SCHMATIC

FILTAMP MODULE 1006

Drawn by: A. Strickland 3-26-70

77079

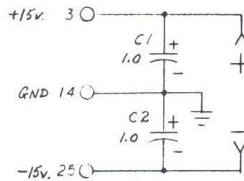
was, B1006-005



FOR ASSEM. SEE C-1016-004  
FOR PARTS LIST SEE APL-1016-003

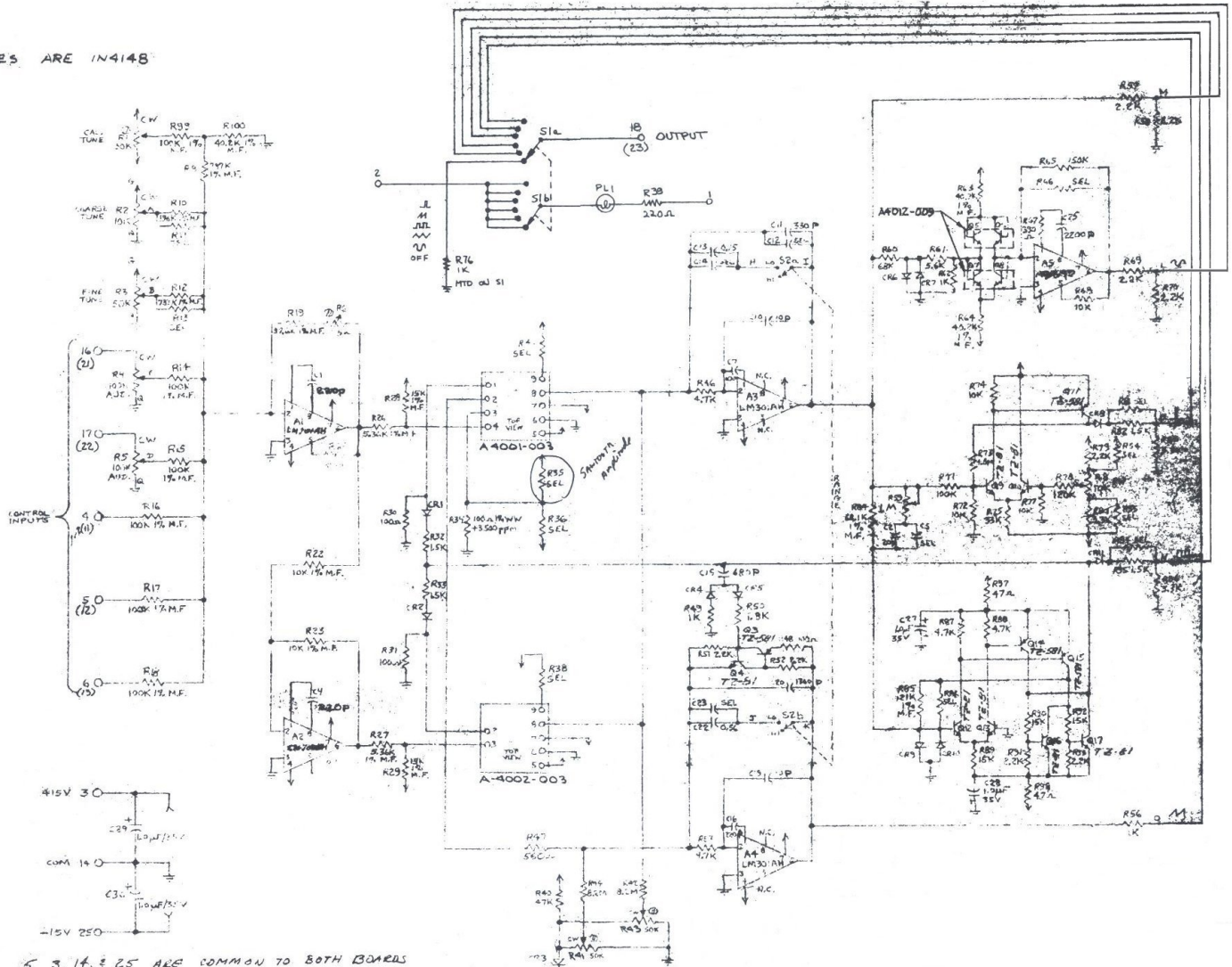
OCT 22 1975

REVISIONS			tonus, inc.		43 KENNETH STREET NEWTON HIGHLANDS MASSACHUSETTS 02461	
NO.	DATE	BY				
A	5-7-70	DPC	MODULE 1016: SCHEMATIC -			
B	6-5-70	DPC	1/2 DUAL NOISE & RANDOM VOLTAGE GENERATOR			
C	6-22-70	RJC	DRAWN BY	SCALE	MATERIAL	
D	6-22-70	RJC	CHK'D BY	DATE		
E	6-22-70	RJC	APP'D FOR PROTOTYPE			
F	6-22-70	RJC	APP'D FOR BIDS	DRAWING NO.	P1/F	
				C-1016-002	F	

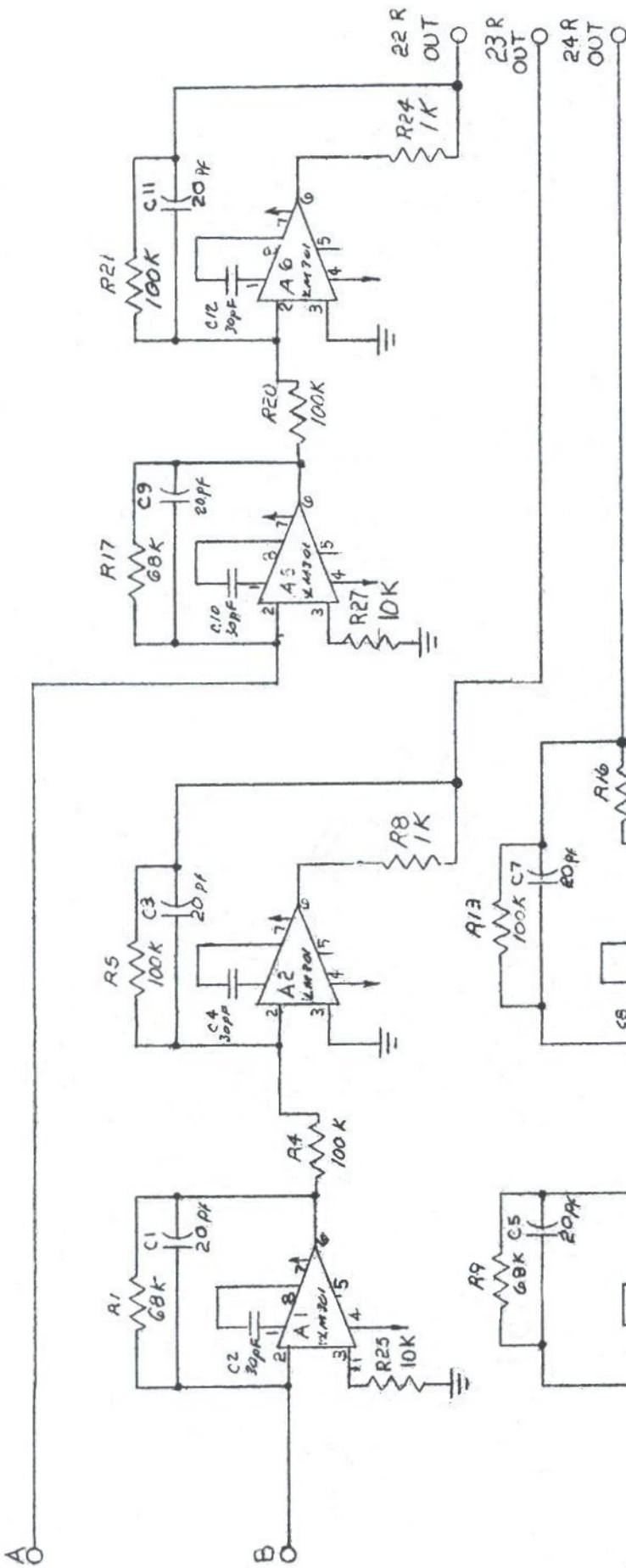


NOTES:  
1. THIS CIRCUIT IS DUPLICATED EXCEPT FOR C14Z WHICH ARE USED ONCE PER UNIT  
2. ALL CAPACITOR VALUES ARE IN  $\mu\text{F}$  UNLESS OTHERWISE SPECIFIED

8 DIODES ARE 1N4148



- 5. 3, 14, & 25 ARE COMMON TO BOTH BOARDS
- 4. TERMINAL NO'S WITH PARENTHESES REFER TO FINGER RIGHT BOARD
- 3. TERMINAL NO'S WITH PARENTHESES REFER TO FINGER CONNECTIONS LEFT BOARD
- 2. TRANSISTORS MARKED TB-581 MAY BE REPLACED WITH 2N5367
- 1. TRANSISTORS MARKED TB-81 MAY BE REPLACED WITH 2N5249



FOR PARTS LIST SEE APL-1027-019  
FOR ASSEM. SEE C-1027-012

REVISIONS		tonus inc.			
NO.	DATE	BY	SCALE	MARKS	REVISIONS
A	10-27-74	AB	2-1/16"		
B	12-9-74	AB	2-2/32"		
C	4-9-74	AB			
D					
E					
F					

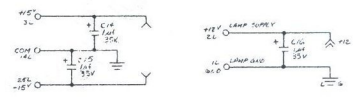
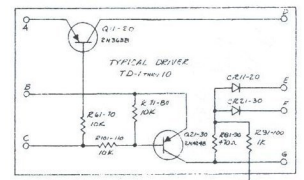
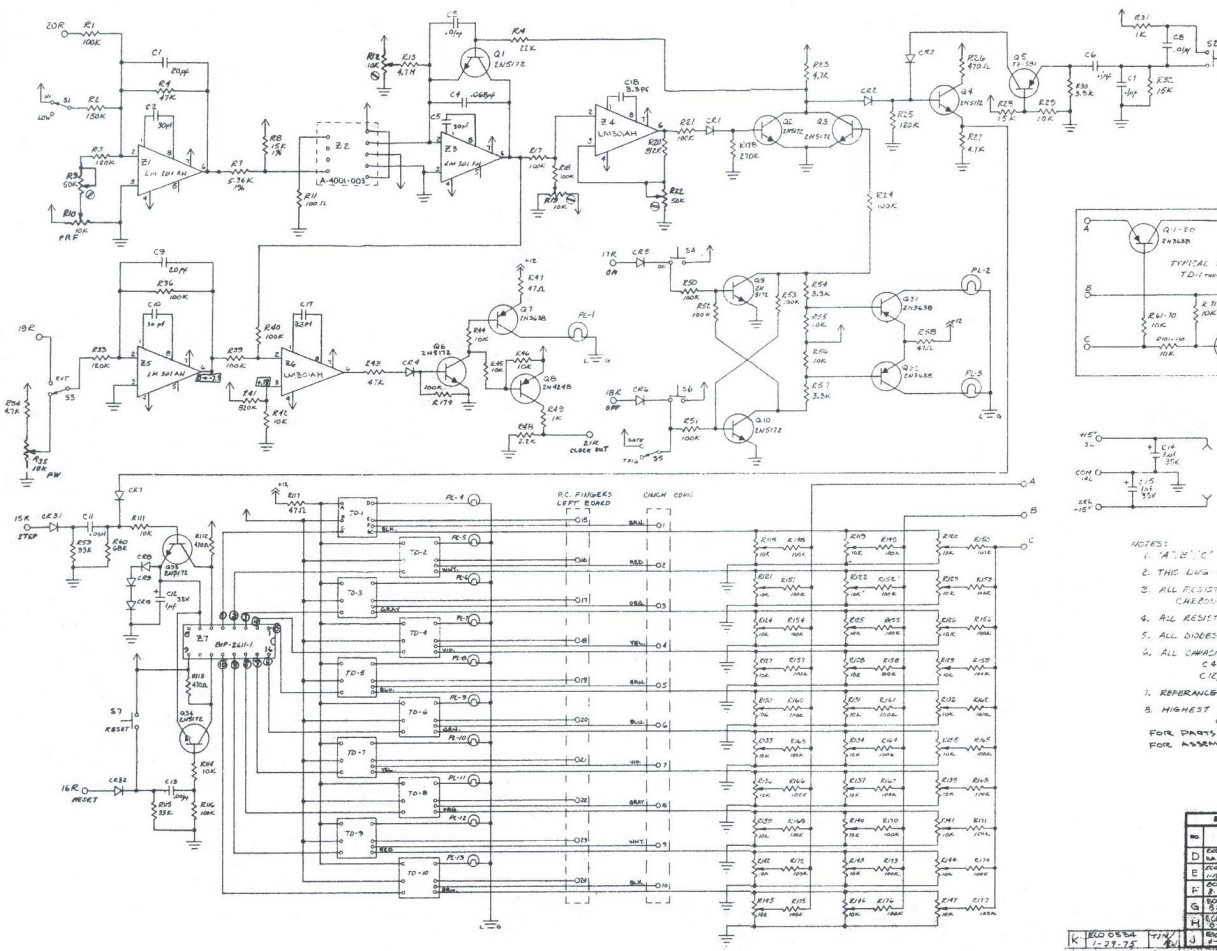
SCHEMATIC 502 CIRCUIT 50.  
1027 SEQUENCER MODULE

DATE: 10-27-74  
BY: AB

REVISIONS: B-1027-010 B

SEP241915

"A", "B", "C" CONNECT TO POINTS "A", "B", "C" ON  
SCHEMATIC D-1027-004



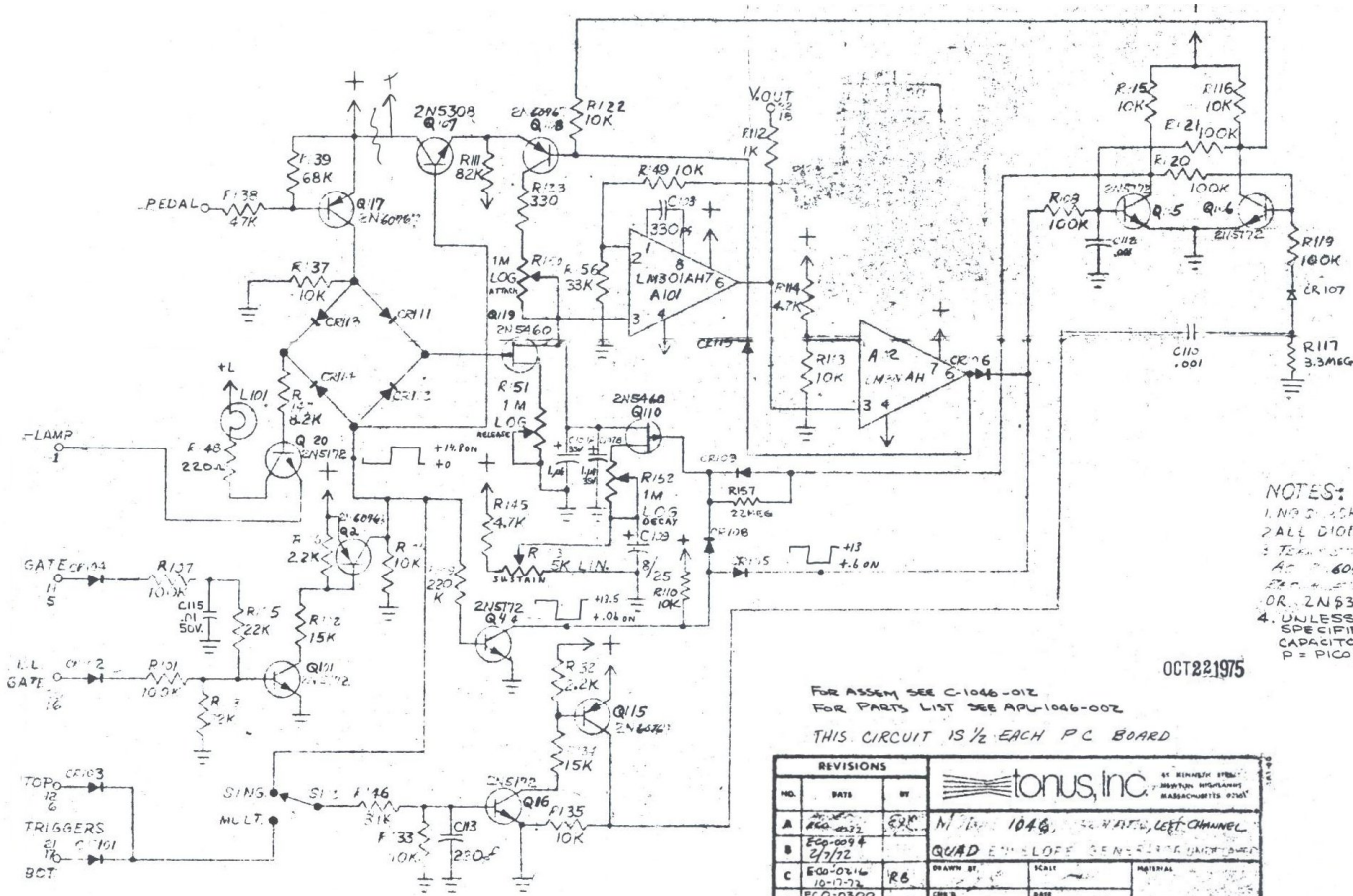
- NOTES:
1. "A", "B", "C" CONNECT TO "A", "B", "C" ON SCHEMATIC B-1027-002
  2. THE LWS 1 B-517-010 REPLACE C-1017-024C
  3. ALL RESISTORS UNLESS OTHERWISE NOTED ARE 1/4" WATT 5% TOLERANCE 01NF (RESISTORS R148 THRU R173 ARE 1/2" WATT)
  4. ALL RESISTORS MARKED 1% ARE FUSION TYPE
  5. ALL DIODES ARE 1N4148
  6. ALL CAPACITORS ARE CERAMIC DISC EXCEPT: C4 TO BE MYLAR C10, M15, 16 TO BE TANTALUM
  7. REFERENCE TO LEFT BD = SUB CIRCUIT BD RIGHT BD = MAIN BD
  8. HIGHEST REF DES: R179, C10, C6, C32, Q34, A7, RL15, F57
- FOR PARTS LIST SEE ADU-1027-001 FOR ADD'N SEE C-1027-011

SEP 84 1985

REVISIONS		tonus, Inc.	
NO.	DATE	BY	REASON
D	08/20/84	...	...
E	09/27/84	...	...
F	09/27/84	...	...
G	09/27/84	...	...
H	09/27/84	...	...
I	09/27/84	...	...
J	09/27/84	...	...
K	1-27-85	...	...

1-800-0654 777-1111  
1-27-85





NOTES:  
 1. UNLESS OTHERWISE SPECIFIED  
 2. ALL DIODES - IN-113  
 3. TECH. SPEC. DRAWING  
 AC 2N6096, PART B2E  
 OR 2N5367  
 4. UNLESS OTHERWISE  
 SPECIFIED,  
 CAPACITORS ARE IN P.F.  
 P = PICO FARADS

OCT 22 1975

FOR ASSEMBLY SEE C-1046-01Z  
 FOR PARTS LIST SEE APW-1046-00Z  
 THIS CIRCUIT IS 1/2 EACH P.C. BOARD

REVISIONS		tonus, inc.		25 BIRNBAUM STREET ROSLINDALE, MASSACHUSETTS 02126	
NO.	DATE	BY			
A	ECO-0322	EXP	M. J. 1046	24 PARTS, LEFT CHANNEL	
B	ECO-0394 2/3/72			QUAD ENVELOPE GENERATOR UNCHANGED	
C	ECO-0216 10-17-72	RB			
D	ECO-0300 8-9-73	RNP			
E	ECO 0480	KBR			
F	ECO 0524 1-29-75	TUN/TEW			DRAWING NO. C-1046-0141F

