

BELANGRIJK:
houd deze schema's bij het orgel! !
IMPORTANT:
keep the schematic diagrams with the organ! !
WICHTIG:
Schaltpläne bei Orgel aufbewahren! !

SERVICE INFORMATION

0476

solina

STRING ENSEMBLE

INHOUD – CONTENTS – INHALT	Part No.*	Sheet No.
Gate circuit	021.0001	015.0212
Bass circuit	003.3015	015.0212
Supplementary circuit	003.2182	015.0212
Register circuit	003.3016	015.0212
Divider circuit A	005.0077	
Divider circuit B	005.0078	
Master oscillator circuit	005.0124	
Schematic diagram		015.0212
Wiring diagram		015.0213
Signal flow diagram		015.0214
Control circuit	012.0025	
Modulator circuit B	012.0034	
Divider circuit C	005.0082	
Power supply	008.0066	

* Printed circuit
Part number

TECHNISCHE GEGEVENS

Netfrequentie
Netspanning*

Ingang (input):
Expressionpedal

Output:
Low output I
High output II

Zekeringen:
net: 220 V*
18,5 V: 2x3,15 AT

TECHNICAL DATA

Mains frequency
Mains voltage*

Input connection:
Expressionpedal

Output:
Low output I
High output II

Fuses:
mains: 220 V*
18,5 V: 2x3,15 A (slow)

TECHNISCHE DATEN

Netzfrequenz
Netzspannung* 50/60 Hz
220 V (115-240-250*)

Eingang (input):
Schwellpedal

Ausgangsabnahme:
Low output I + 1,5 V tt - imp: 3 kOhm
High output II + 5 V tt - imp: 5 kOhm

Sicherungen:
Netz: 220 V* thermal release in primary
18,5 V: 2x3,15 A (träge) disconnect temp. 115 C

* 115 - 240 - 250 V.

* Voor 115, 240 en 250 Volt netspanning; als volgt te werk gaan:
– verwijder kap van de transformator
– de draad op de 220 V aansluiting omzetten naar de gewenste netspanning

* For 115,240 and 250 Volt operation:
– remove cover of transformer
– relocate mains voltage to appropriate voltage.

*Für 115, 240 und 250 V Netzspannung wie folgt handeln:
– Die Kappe des Transformators entfernen
– Den Draht des 220 V Anschlusses in die gewünschte Netzspannung umsetzen.

Service dokumentatie:

Service information:

Kundendienst dokumentation:

(aanvragen bij servicedienst te Bodegraven)
inquire by your importer or MCH Holland)
(fragen Sie bei Ihrem Importeur oder MCH)

Service onderdelenlijst zie:

Service parts list see:

Service-Ersatzteilliste siehe:



Storings- en lokalisatielijst zie:

Trouble shooting guide see:

Fehlersucheliste siehe:



ATTENTIE:

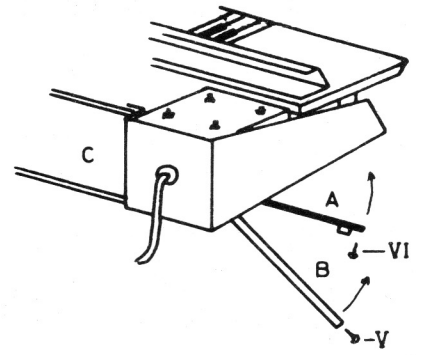
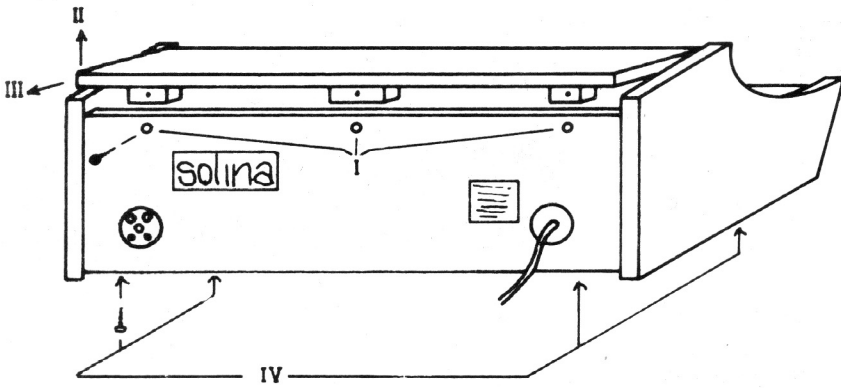
ATTENTION:

ACHTUNG:

THEORY OF OPERATION

Divider circuit * 2 *

Divider circuit should be *2* instead of *1*



DEMONTAGE STRING-ENSEMBLE

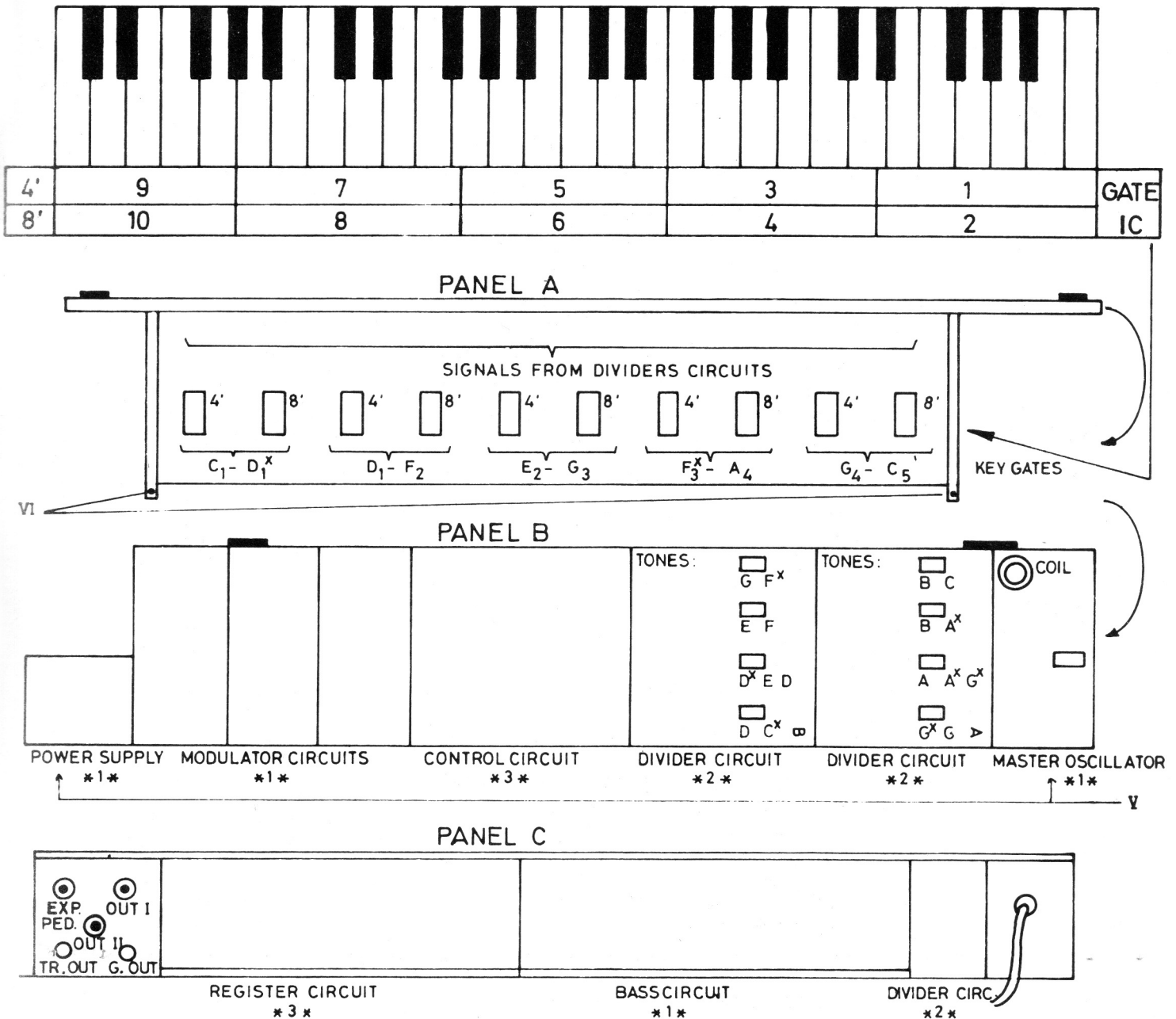
1. Verwijder schroeven I
2. Til bovenblad op, zie II
3. Schuif bovenblad weg, zie III
4. Verwijder schroeven IV
5. De konstruktie kan nu uit de kast worden getild.
6. De panelen A en B zijn klapbaar na verwijdering van schroeven VI en V

DISASSEMBLY OF STRING-ENSEMBLE

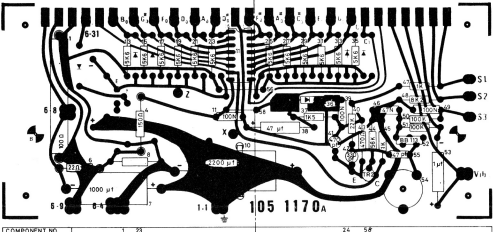
1. Remove (3) screws I
2. Raise cover, see II
3. Push cover out of the way, see III
4. Remove (4) screws IV
5. Lift out unit from cabinet
6. Panels A and B will fold out of way after removing screws V and VI

DEMONTAGE STRING-ENSEMBLE

1. Schrauben rausdrehen (siehe I)
2. Oberbrett anheben (siehe II)
3. Oberbrett wegschieben (siehe III)
4. Schrauben rausdrehen (siehe IV)
5. Die Konstruktion kann jetzt aus der Kiste gehoben werden.
6. Die Paneelen a und b sind klapbar, nachdem die Schrauben rausgedreht sind. (siehe V und VI).

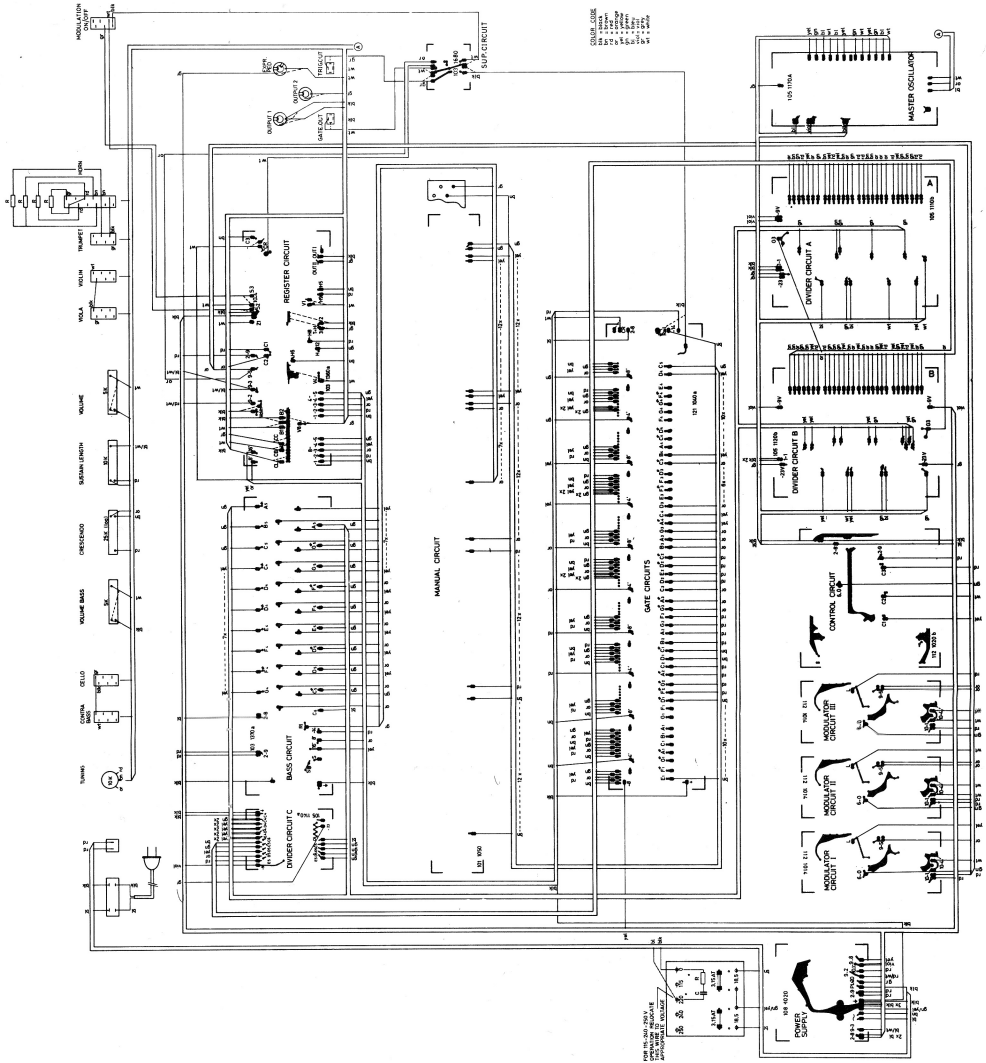


PART NO.	NAME	POSITION NO.
210 201	RESISTOR	15
210 202	"	05, 47
210 203	"	5, 6, 10, 15, 21, 23, 27, 29, 31, 30, 35
210 204	"	45
210 205	"	45
210 206	"	45
210 207	"	02
210 208	"	81
210 209	"	8
210 210	"	8
210 211	"	5
310 221	CAPACITOR	45
310 222	"	20, 49
310 223	"	42
310 224	"	42
310 225	"	42
410 230	EL. CAPACITOR	53
410 231	"	53
410 232	"	53
410 233	"	53
410 234	"	53
410 235	"	53
410 236	"	53
410 237	"	53
410 238	"	53
410 239	"	53
410 240	"	53
410 241	"	53
410 242	"	53
410 243	"	53
410 244	"	53
410 245	"	53
410 246	"	53
410 247	"	53
410 248	"	53
410 249	"	53
410 250	"	53
410 251	"	53
410 252	"	53
410 253	"	53
410 254	"	53
410 255	"	53
410 256	"	53
410 257	"	53
410 258	"	53
410 259	"	53
410 260	"	53
410 261	"	53
410 262	"	53
410 263	"	53
410 264	"	53
410 265	"	53
410 266	"	53
410 267	"	53
410 268	"	53
410 269	"	53
410 270	"	53
410 271	"	53
410 272	"	53
410 273	"	53
410 274	"	53
410 275	"	53
410 276	"	53
410 277	"	53
410 278	"	53
410 279	"	53
410 280	"	53
410 281	"	53
410 282	"	53
410 283	"	53
410 284	"	53
410 285	"	53
410 286	"	53
410 287	"	53
410 288	"	53
410 289	"	53
410 290	"	53
410 291	"	53
410 292	"	53
410 293	"	53
410 294	"	53
410 295	"	53
410 296	"	53
410 297	"	53
410 298	"	53
410 299	"	53
410 300	"	53
410 301	"	53
410 302	"	53
410 303	"	53
410 304	"	53
410 305	"	53
410 306	"	53
410 307	"	53
410 308	"	53
410 309	"	53
410 310	"	53
410 311	"	53
410 312	"	53
410 313	"	53
410 314	"	53
410 315	"	53
410 316	"	53
410 317	"	53
410 318	"	53
410 319	"	53
410 320	"	53
410 321	"	53
410 322	"	53
410 323	"	53
410 324	"	53
410 325	"	53
410 326	"	53
410 327	"	53
410 328	"	53
410 329	"	53
410 330	"	53
410 331	"	53
410 332	"	53
410 333	"	53
410 334	"	53
410 335	"	53
410 336	"	53
410 337	"	53
410 338	"	53
410 339	"	53
410 340	"	53
410 341	"	53
410 342	"	53
410 343	"	53
410 344	"	53
410 345	"	53
410 346	"	53
410 347	"	53
410 348	"	53
410 349	"	53
410 350	"	53
410 351	"	53
410 352	"	53
410 353	"	53
410 354	"	53
410 355	"	53
410 356	"	53
410 357	"	53
410 358	"	53
410 359	"	53
410 360	"	53
410 361	"	53
410 362	"	53
410 363	"	53
410 364	"	53
410 365	"	53
410 366	"	53
410 367	"	53
410 368	"	53
410 369	"	53
410 370	"	53
410 371	"	53
410 372	"	53
410 373	"	53
410 374	"	53
410 375	"	53
410 376	"	53
410 377	"	53
410 378	"	53
410 379	"	53
410 380	"	53
410 381	"	53
410 382	"	53
410 383	"	53
410 384	"	53
410 385	"	53
410 386	"	53
410 387	"	53
410 388	"	53
410 389	"	53
410 390	"	53
410 391	"	53
410 392	"	53
410 393	"	53
410 394	"	53
410 395	"	53
410 396	"	53
410 397	"	53
410 398	"	53
410 399	"	53
410 400	"	53
410 401	"	53
410 402	"	53
410 403	"	53
410 404	"	53
410 405	"	53
410 406	"	53
410 407	"	53
410 408	"	53
410 409	"	53
410 410	"	53
410 411	"	53
410 412	"	53
410 413	"	53
410 414	"	53
410 415	"	53
410 416	"	53
410 417	"	53
410 418	"	53
410 419	"	53
410 420	"	53
410 421	"	53
410 422	"	53
410 423	"	53
410 424	"	53
410 425	"	53
410 426	"	53
410 427	"	53
410 428	"	53
410 429	"	53
410 430	"	53
410 431	"	53
410 432	"	53
410 433	"	53
410 434	"	53
410 435	"	53
410 436	"	53
410 437	"	53
410 438	"	53
410 439	"	53
410 440	"	53
410 441	"	53
410 442	"	53
410 443	"	53
410 444	"	53
410 445	"	53
410 446	"	53
410 447	"	53
410 448	"	53
410 449	"	53
410 450	"	53
410 451	"	53
410 452	"	53
410 453	"	53
410 454	"	53
410 455	"	53
410 456	"	53
410 457	"	53
410 458	"	53
410 459	"	53
410 460	"	53
410 461	"	53
410 462	"	53
410 463	"	53
410 464	"	53
410 465	"	53
410 466	"	53
410 467	"	53
410 468	"	53
410 469	"	53
410 470	"	53
410 471	"	53
410 472	"	53
410 473	"	53
410 474	"	53
410 475	"	53
410 476	"	53
410 477	"	53
410 478	"	53
410 479	"	53
410 480	"	53
410 481	"	53
410 482	"	53
410 483	"	53
410 484	"	53
410 485	"	53
410 486	"	53
410 487	"	53
410 488	"	53
410 489	"	53
410 490	"	53
410 491	"	53
410 492	"	53
410 493	"	53
410 494	"	53
410 495	"	53
410 496	"	53
410 497	"	53
410 498	"	53
410 499	"	53
410 500	"	53



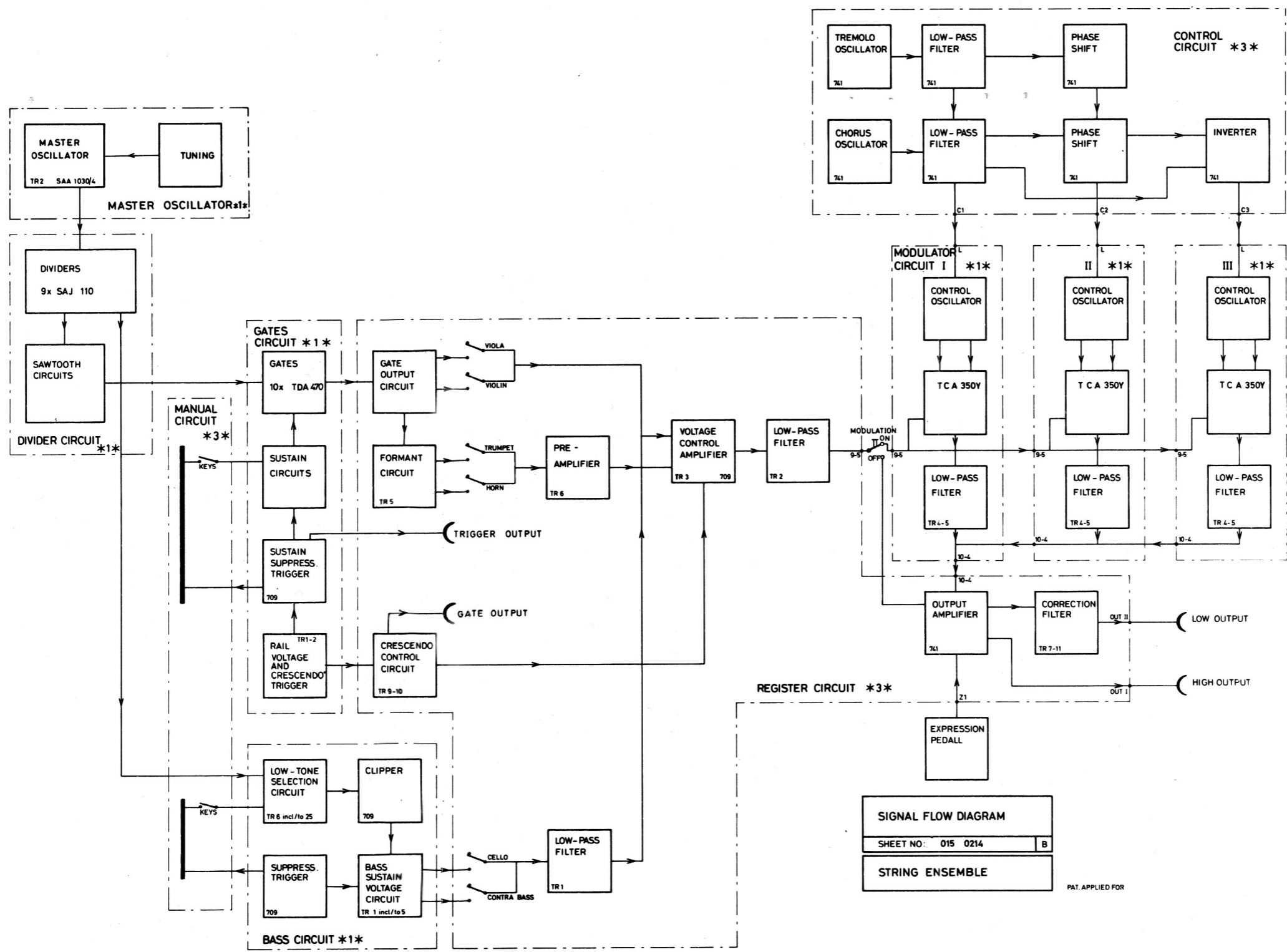
MASTER OSCILLATOR
PART NO. 005 0124

PART NO.	NAME	POSITION NO.
200 0001	HEAD	44
210 2101	RESISTOR	43
210 2102	RESISTOR	9, 19, 20
210 2103	"	96
210 2104	"	96
210 2105	"	45
210 2106	"	66
210 2107	"	42, 96
210 2108	"	8, 20, 21, 29, 30
210 2109	"	49, 99
210 2110	"	2, 22, 23, 34
210 2111	"	7
210 2112	"	11, 12, 36
210 2113	"	50, 97
210 2114	"	84
210 2115	"	84, 96, 99
210 2116	"	30, 82
210 2117	"	26, 27, 28, 44
210 2118	"	50
210 2119	"	10
210 2120	"	10
310 2121	CAPACITOR	52, 54
310 2122	"	54, 76
310 2123	"	92
310 2124	"	83
310 2125	"	30, 95
310 2126	"	90
310 2127	"	40
310 2128	"	76
310 2129	"	13
310 2130	"	2, 38, 46
410 2131	EL. CAPACITOR	21, 50
410 2132	"	564
410 2133	"	31, 55
410 2134	ROT. METER	48, 5
410 2135	EL. CAPACITOR	3, 9, 40, 47, 76, 90, 96
410 2136	EL. CAPACITOR	5, 31, 41, 57, 59, 69, 96
410 2137	EL. CAPACITOR	5, 31, 41, 57, 59, 69, 96
410 2138	EL. CAPACITOR	5, 31, 41, 57, 59, 69, 96
410 2139	EL. CAPACITOR	5, 31, 41, 57, 59, 69, 96
410 2140	EL. CAPACITOR	5, 31, 41, 57, 59, 69, 96
410 2141	EL. CAPACITOR	5, 31, 41, 57, 59, 69, 96
410 2142	EL. CAPACITOR	5, 31, 41, 57, 59, 69, 96
410 2143	EL. CAPACITOR	5, 31, 41, 57, 59, 69, 96
410 2144	EL. CAPACITOR	5, 31, 41, 57, 59, 69, 96
410 2145	EL. CAPACITOR	5, 31, 41, 57, 59, 69, 96
410 2146	EL. CAPACITOR	5, 31, 41, 57, 59, 69, 96
410 2147	EL. CAPACITOR	5, 31, 41, 57, 59, 69, 96
410 2148	EL. CAPACITOR	5, 31, 41, 57, 59, 69, 96
410 2149	EL. CAPACITOR	5, 31, 41, 57, 59, 69, 96
410 2150	EL. CAPACITOR	5, 31, 41, 57, 59, 69, 96
410 2151	EL. CAPACITOR	5, 31, 41, 57, 59, 69, 96
410 2152	EL. CAPACITOR	5, 31, 41, 57, 59, 69, 96
410 2153	EL. CAPACITOR	5, 31, 41, 57, 59, 69, 96
410 2154	EL. CAPACITOR	5, 31, 41, 57, 59, 69, 96
410 2155	EL. CAPACITOR	5, 31, 41, 57, 59, 69, 96
410 2156	EL. CAPACITOR	5, 31, 41, 57, 59, 69, 96
410 2157	EL. CAPACITOR	5, 31, 41, 57, 59, 69, 96
410 2158	EL. CAPACITOR	5, 31, 41, 57, 59, 69, 96
410 2159	EL. CAPACITOR	5, 31, 41, 57, 59, 69, 96
410 2160	EL. CAPACITOR	5, 31, 41, 57, 59, 69, 96
410 2161	EL. CAPACITOR	5, 31, 41, 57, 59, 69, 96
410 2162	EL. CAPACITOR	5, 31, 41, 57, 59, 69, 96
410 2163	EL. CAPACITOR	5, 31, 41, 57, 59, 69, 96
410 2164	EL. CAPACITOR	5, 31, 41, 57, 59, 69, 96
410 2165	EL. CAPACITOR	5, 31, 41, 57, 59, 69, 96
410 2166	EL. CAPACITOR	5, 31, 41, 57, 59, 69, 96
410 2167	EL. CAPACITOR	5, 31, 41, 57, 59, 69, 96
410 2168	EL. CAPACITOR	5, 31, 41, 57, 59, 69, 96
410 2169	EL. CAPACITOR	5, 31, 41, 57, 59, 69, 96
410 2170	EL. CAPACITOR	5, 31, 41, 57, 59, 69, 96
410 2171	EL. CAPACITOR	5, 31, 41, 57, 59, 69, 96
410 2172	EL. CAPACITOR	5, 31, 41, 57, 59, 69, 96
410 2173	EL. CAPACITOR	5, 31, 41, 57, 59, 69, 96
410 2174	EL. CAPACITOR	5, 31, 41, 57, 59, 69, 96
410 2175	EL. CAPACITOR	5, 31, 41, 57, 59, 69, 96
410 2176	EL. CAPACITOR	5, 31, 41, 57, 59, 69, 96
410 2177	EL. CAPACITOR	5, 31, 41, 57, 59, 69, 96
410 2178	EL. CAPACITOR	5, 31, 41, 57, 59, 69, 96
410 21		



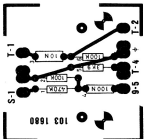
WIRING DIAGRAM
 SHEET NO. OS 003
 STRING ENSEMBLE

100-000070P



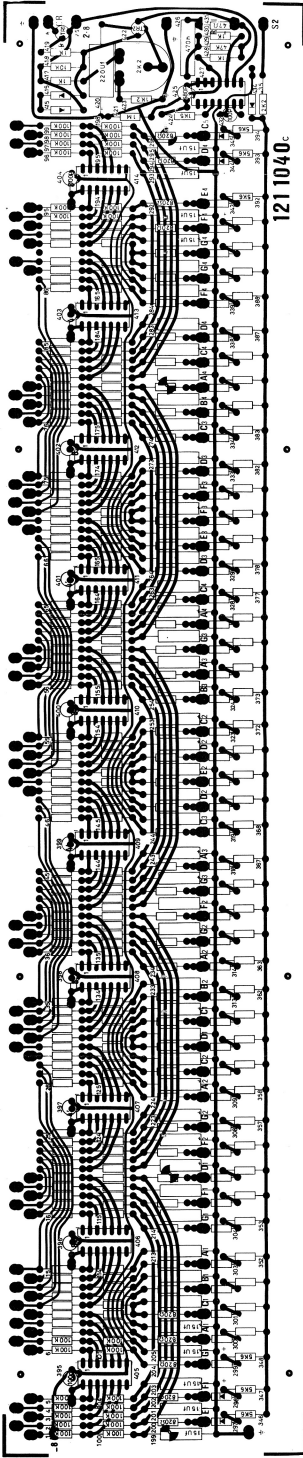
SIGNAL FLOW DIAGRAM
 SHEET NO: 015 0214 B
 STRING ENSEMBLE

PAT. APPLIED FOR



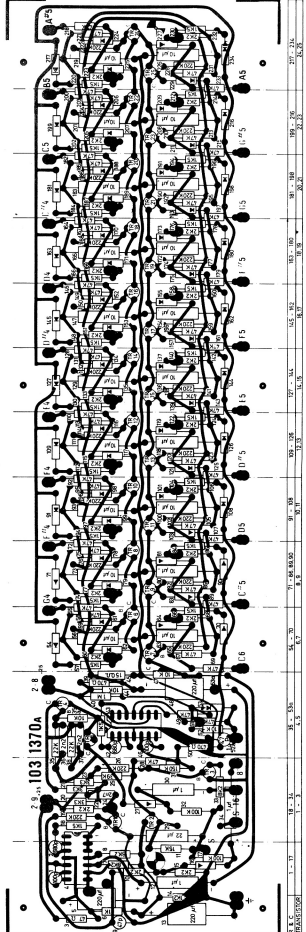
SUPPLEMENTARY CIRCUIT
PART NO. 003-2182

NO.	DESCRIPTION	QTY.	POSITION
1
2
3
4
5



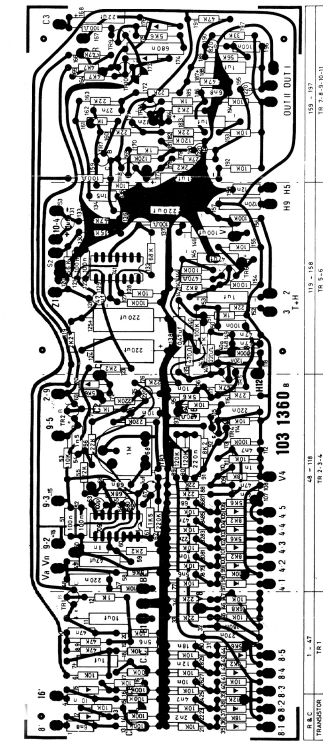
GATE CIRCUIT
PART NO. 021 0001

NO.	DESCRIPTION	QTY.	POSITION
100
101
102
103
104
105
106
107
108
109
110
111
112
113
114
115
116
117
118
119
120
121
122
123
124
125
126
127
128
129
130
131
132
133
134
135
136
137
138
139
140
141
142
143
144
145
146
147
148
149
150
151
152
153
154
155
156
157
158
159
160
161
162
163
164
165
166
167
168
169
170
171
172
173
174
175
176
177
178
179
180
181
182
183
184
185
186
187
188
189
190
191
192
193
194
195
196
197
198
199
200



BASS CIRCUIT
PART NO. 003 3015

NO.	DESCRIPTION	QTY.	POSITION
100
101
102
103
104
105
106
107
108
109
110
111
112
113
114
115
116
117
118
119
120
121
122
123
124
125
126
127
128
129
130
131
132
133
134
135
136
137
138
139
140
141
142
143
144
145
146
147
148
149
150
151
152
153
154
155
156
157
158
159
160
161
162
163
164
165
166
167
168
169
170
171
172
173
174
175
176
177
178
179
180
181
182
183
184
185
186
187
188
189
190
191
192
193
194
195
196
197
198
199
200



REGISTER CIRCUIT
PART NO. 003 3016

NO.	DESCRIPTION	QTY.	POSITION
100
101
102
103
104
105
106
107
108
109
110
111
112
113
114
115
116
117
118
119
120
121
122
123
124
125
126
127
128
129
130
131
132
133
134
135
136
137
138
139
140
141
142
143
144
145
146
147
148
149
150
151
152
153
154
155
156
157
158
159
160
161
162
163
164
165
166
167
168
169
170
171
172
173
174
175
176
177
178
179
180
181
182
183
184
185
186
187
188
189
190
191
192
193
194
195
196
197
198
199
200